

HANDLES AND PULLS

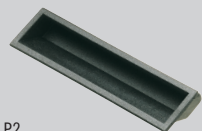
Pulls

Pages 512-517

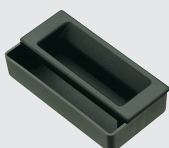


Flush mount pull designs provide ergonomic grip without protruding hardware disrupting door, drawer, or panel surfaces.

- ➔ Concealed styles rotate outward to provide a fully accessible handgrip.
- ➔ All styles install easily in a single mounting hole



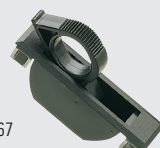
P2



P1



67



67



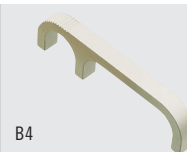
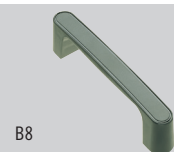
MP

SOUTHCO® handles install quickly and easily to provide comfortable ergonomic grip points for opening enclosure doors or drawers, and for removing mounted panels.

- ➔ Available in a variety of styles and strength options
- ➔ A variety of standard lengths to provide the appropriate grip required for the size of the door, drawer, or rack

Handles

Page 518-522





P2 Flush Pull

Low profile · Lift or pull · Single hole mount

- Snap-in installation
- 2 sizes

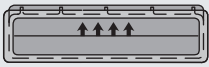
Material and Finish

ABS plastic, black

Performance Details

Maximum static load:

Lifting / pulling: 1300 N (300 lbf)



Pushing / sliding: 450 N (100 lbf)



Flammability rating:

UL94-HB or UL94-V0

Operating temperature range:

-50°C (-60°F) to 60°C (140°F)

Notes

Performance details are based on installation in a 1.2 (.048) thick steel door. Maximum loads are limited by door strength.

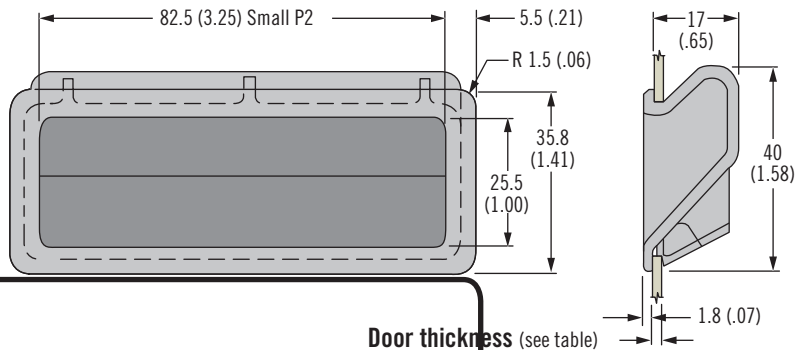
Part Number Selection

Other options available. For complete details on variety, part numbers, installation and specification, go to

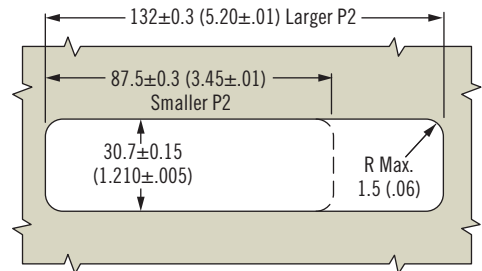
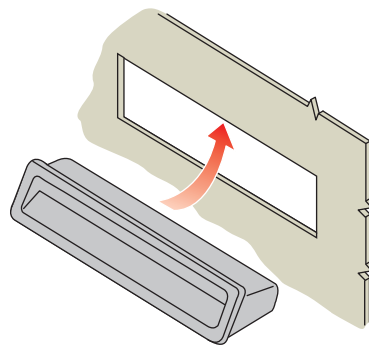
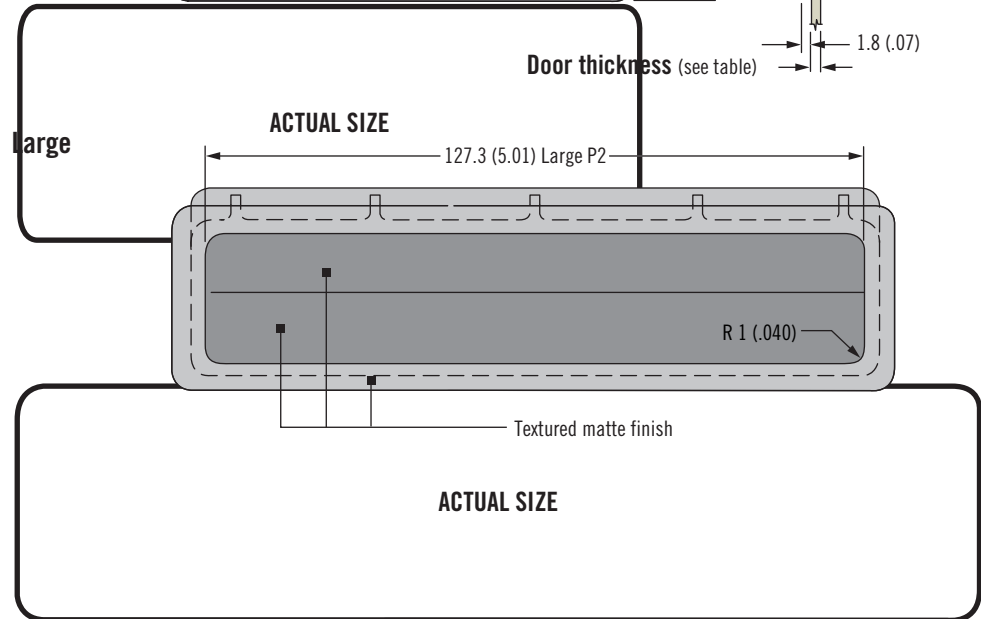
www.southco.com/P2

Dimensions in millimeters (inch) unless otherwise stated

Small



Large



Door Thickness Range		Part Number			
		Small		Large	
Min.	Max.	UL94-HB	UL94-V0	UL94-HB	UL94-V0
1.0 (.040)	1.4 (.055)	P2-41	P2-41-1	P2-51	P2-51-1
1.4 (.055)	1.8 (.070)	P2-42	P2-42-1	P2-52	P2-52-1
1.8 (.070)	2.1 (.085)	P2-43	P2-43-1	P2-53	P2-53-1
2.1 (.085)	2.5 (.100)	P2-44	P2-44-1	P2-54	P2-54-1



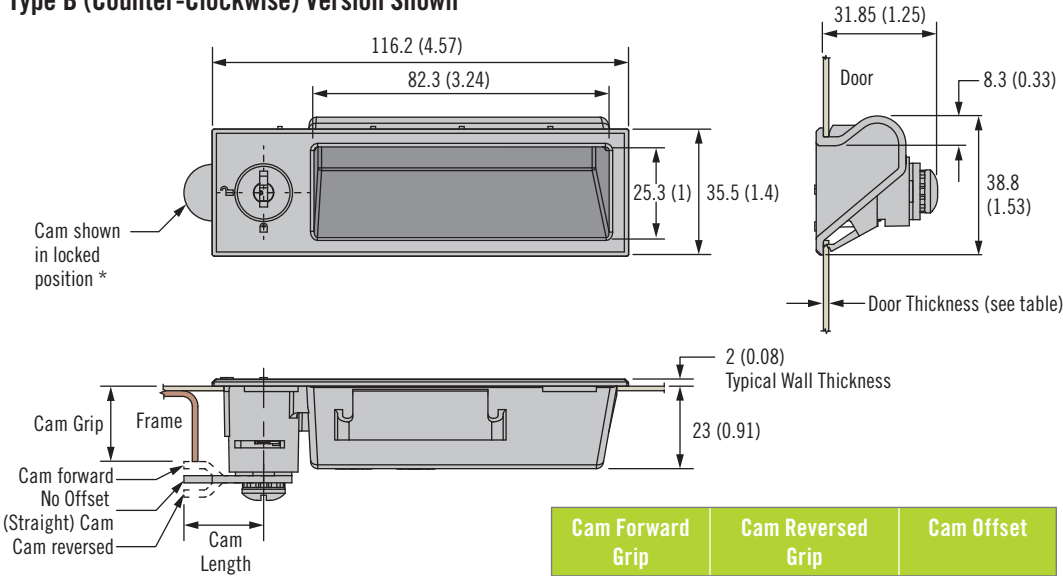
P2 Flush Pull - Lockable

Low profile · Lift or pull · Single hole mount



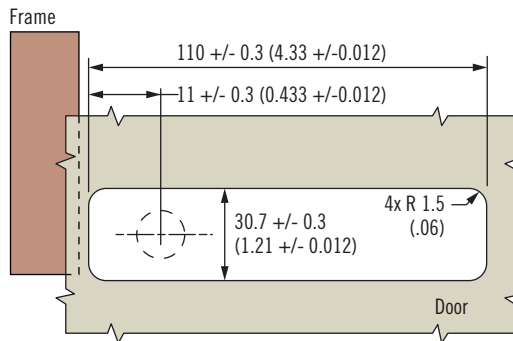
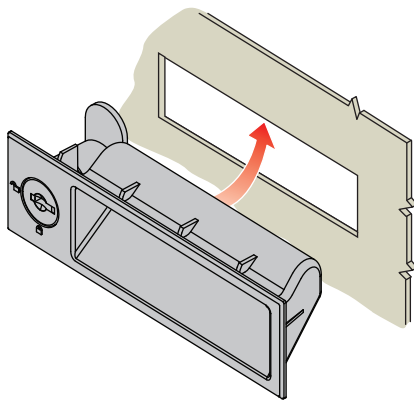
Dimensions in millimeters (inch) unless otherwise stated

Type B (Counter-Clockwise) Version Shown



* Cam Ordered Separately
For Cam Part Numbers and options see our Handbook page 167 or www.southco.com

Cam Forward Grip	Cam Reversed Grip	Cam Offset
25 (0.98)	25 (0.98)	No Offset
21.8 (0.86)	28.2 (1.11)	3.2 (1.25)
18.6 (0.73)	31.4 (1.24)	6.4 (.250)
15.5 (0.61)	34.5 (1.36)	9.5 (.375)



- Snap-in installation
- Lockable
- Lock core included or sold separately
- Cam sold separately

Material and Finish

Pull: ABS plastic, black

Lock parts:

Zinc alloy, powder coated. Brass.

Steel, zinc plated. Buna-N

Flammability Rating

UL94-HB or UL94-V0 (See table)

Notes

For pulls without lock core, lock core sold separately, see page 158.

Cam sold separately. See page 167.

Part Number Selection

D Door Thickness Range

- 1.0 (.040) - 1.4 (.055)
- 1.4 (.055) - 1.8 (.070)
- 1.8 (.070) - 2.1 (.085)
- 2.1 (.085) - 2.5 (.100)

M Material

- 1 UL94-V0 PC/ABS
- 2 UL94-HB ABS

R Rotation

- 1 Type A (Clockwise to lock)
- 2 Type B (Counter-Clockwise to lock)

L Lock Style

- 2 With lock core, keyed alike CH751 (with two flat keys supplied)
- 9 Without lock core (See our handbook page 183 or visit www.southco.com)

P2 - 4 D M - R L

Other options available. For complete details on variety, part numbers, installation and specification, go to

www.southco.com/P2





P1 Flush Pull

Low profile · Lift or pull · Single hole mount

- Easy installation
- Deep pocket

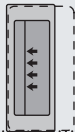
Material and Finish

Pull and cup: ABS plastic, black
Screws: Steel, zinc plated

Performance Details

Maximum static load:
Lifting / pulling: 1300 N (300 lbf)

Pushing / sliding: 450 N (100 lbf)



Flammability rating:
UL94-HB or UL94-V0 (See table)

Operating temperature range:
-50°C (-60°F) to 60°C (140°F)

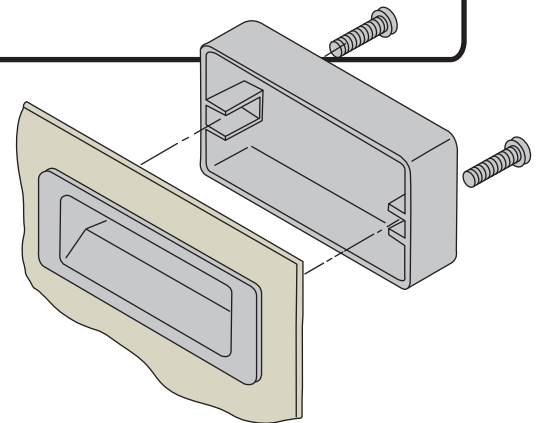
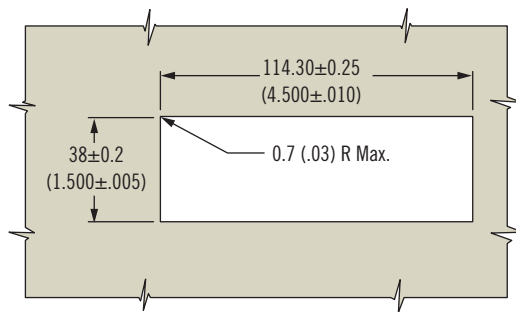
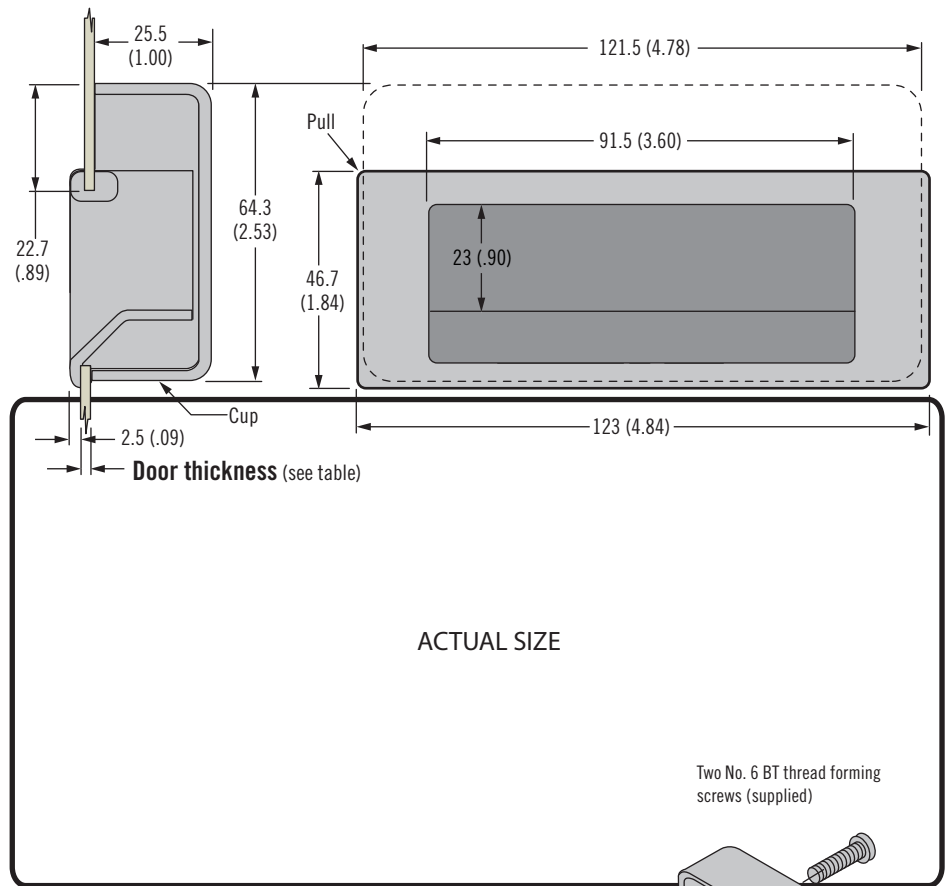
Installation Notes

Mounting screws supplied.
Door thickness less than the minimum for each range allows some movement of the pull.
Maximum torque for mounting screws is 0.5 N·m (5 in·lbf)

Part Number

See table

Dimensions in millimeters (inch) unless otherwise stated



Door Thickness Range		Part Number	
Min.	Max.	UL94-HB	UL94-V0
1.0 (.040)	1.8 (.070)	P1-30-101-11	P1-31
1.8 (.070)	3.3 (.130)	P1-30-103-11	P1-33
3.3 (.130)	4.8 (.190)	P1-30-105-11	P1-35
4.8 (.190)	6.3 (.250)	P1-30-107-11	P1-37

Other options available. For complete details on variety, part numbers, installation and specification, go to

www.southco.com/P1



Request Info



1-800-453-1692

www.aboveboardelectronics.com

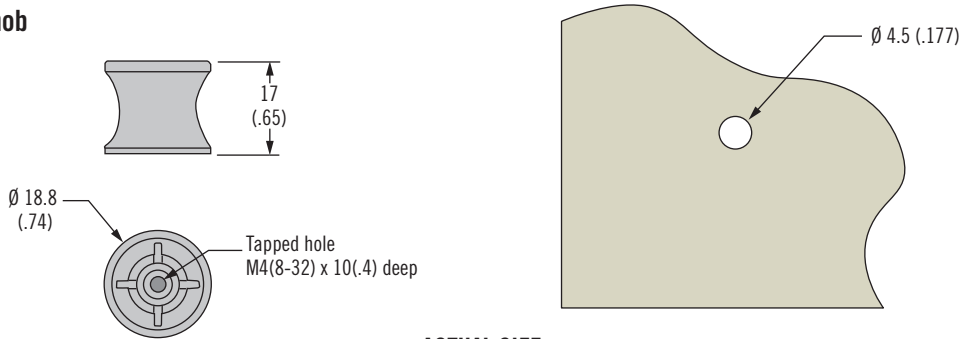
MP Point Pull

Surface mount

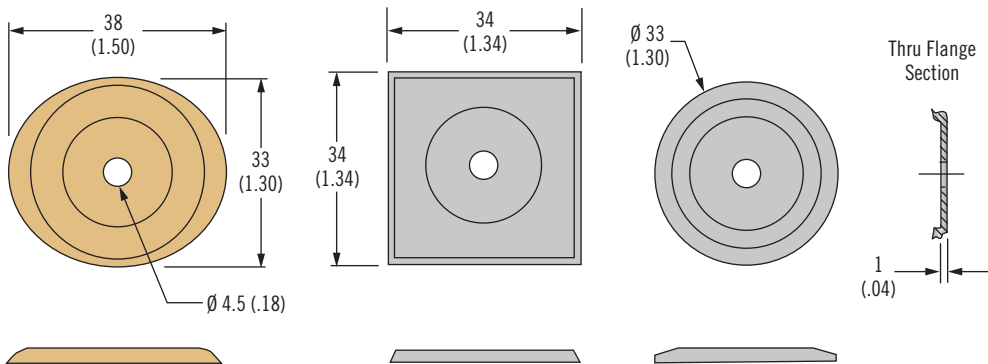
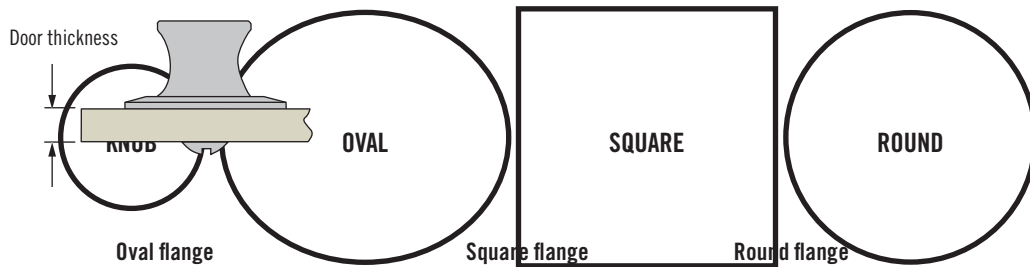


Dimensions in millimeters (inch) unless otherwise stated

Knob



ACTUAL SIZE



- Stylish knob design
- Finish and flange shape flexibility

Material and Finish

Zinc alloy, plated or powder coated

Installation Notes

Screws not supplied.

Calculate screw length using the following formula:

Door thickness + 6 (.25)

Maximum tightening torque of mounting screws: 1.7 N•m (15 in•lbf)

Style matches MP push-to-close latch on page 228

- S** Style ←
- 00 Imperial 8 -32 mounting hole
 - 40 Metric M4 mounting hole

Knob Part Number

MP - 06 - 1 **S** - **F**

- F** Finish
- 10 Chrome, polished
 - 20 Chrome, satin
 - 30 Nickel, brushed
 - 40 Diamond brass
 - 50 Powder coated, black

Part Number Selection

Choose knob separately

- S** Style ←
- 10 Oval flange
 - 20 Square flange
 - 30 Round flange

Flange Part Number

MP - 06 - 1 **S** - **F**

- F** Finish
- 10 Chrome, polished
 - 20 Chrome, satin
 - 30 Nickel, brushed
 - 40 Diamond brass
 - 50 Powder coated, black

Part Number Selection





67 Concealed Pull

Surface mount

• Flush mounting

Material and Finish

10 series: Plastic, black or zinc alloy, black or silver

20 & 40 series:

Handle: Aluminum, silver or black powder coated

Housing and bushing: Plastic, black

Screws: Stainless steel, passivated

Performance Details

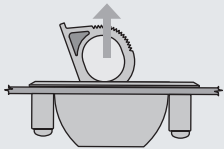
Maximum static load:

10 series: 620 N (140 lbf) - plastic

10 series: 1100 N (250 lbf) - metal

20 series: 440 N (100 lbf)

40 series: 580 N (130 lbf)



Flammability rating:

Housing & bushing: UL94-HB

Handle (10 Series plastic only):

UL94-V2

Installation Notes

Thread forming screw (M4 x 0.7 (10 series metal) M4.2 x 1.4 (all other versions)) supplied for door thickness 6.4 (.25) Maximum.

For thicker doors calculate screw length using the following formula:
Door thickness + 10 (.40)

Notes

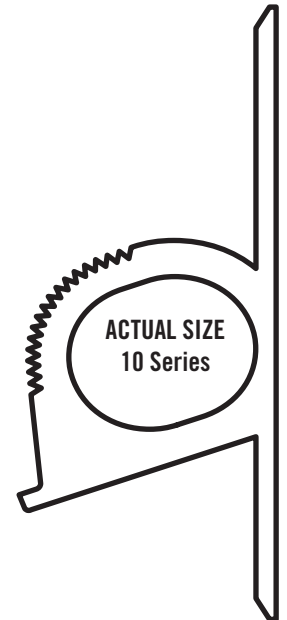
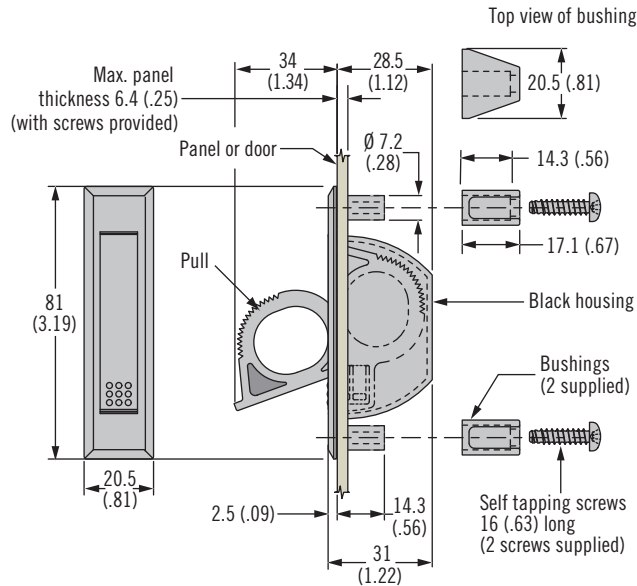
Maximum tightening torque of mounting screws:

All versions except 10 series metal:
0.5 N•m (5 in•lbf)

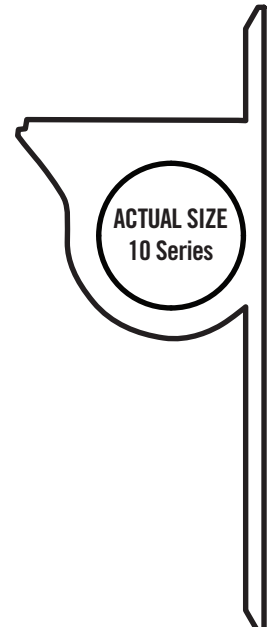
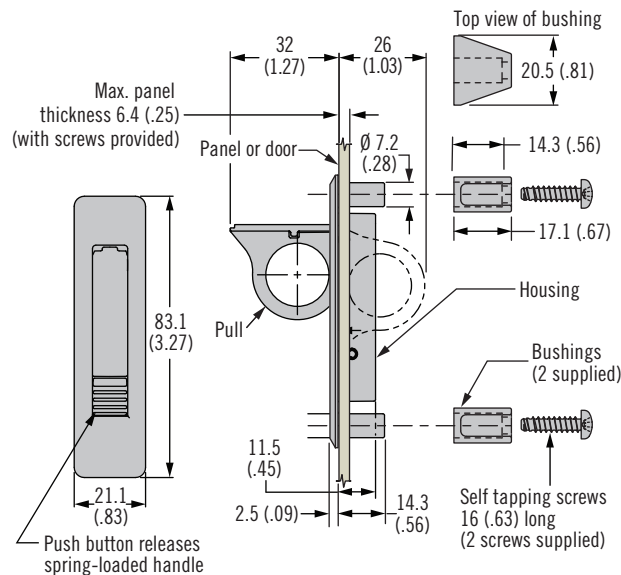
10 series metal version:
2.5 N•m (18 in•lbf)

Dimensions in millimeters (inch) unless otherwise stated

10 Series - Plastic



10 Series - Metal with Push Button Handle Release



Other options available. For complete details on variety, part numbers, installation and specification, go to

www.southco.com/67

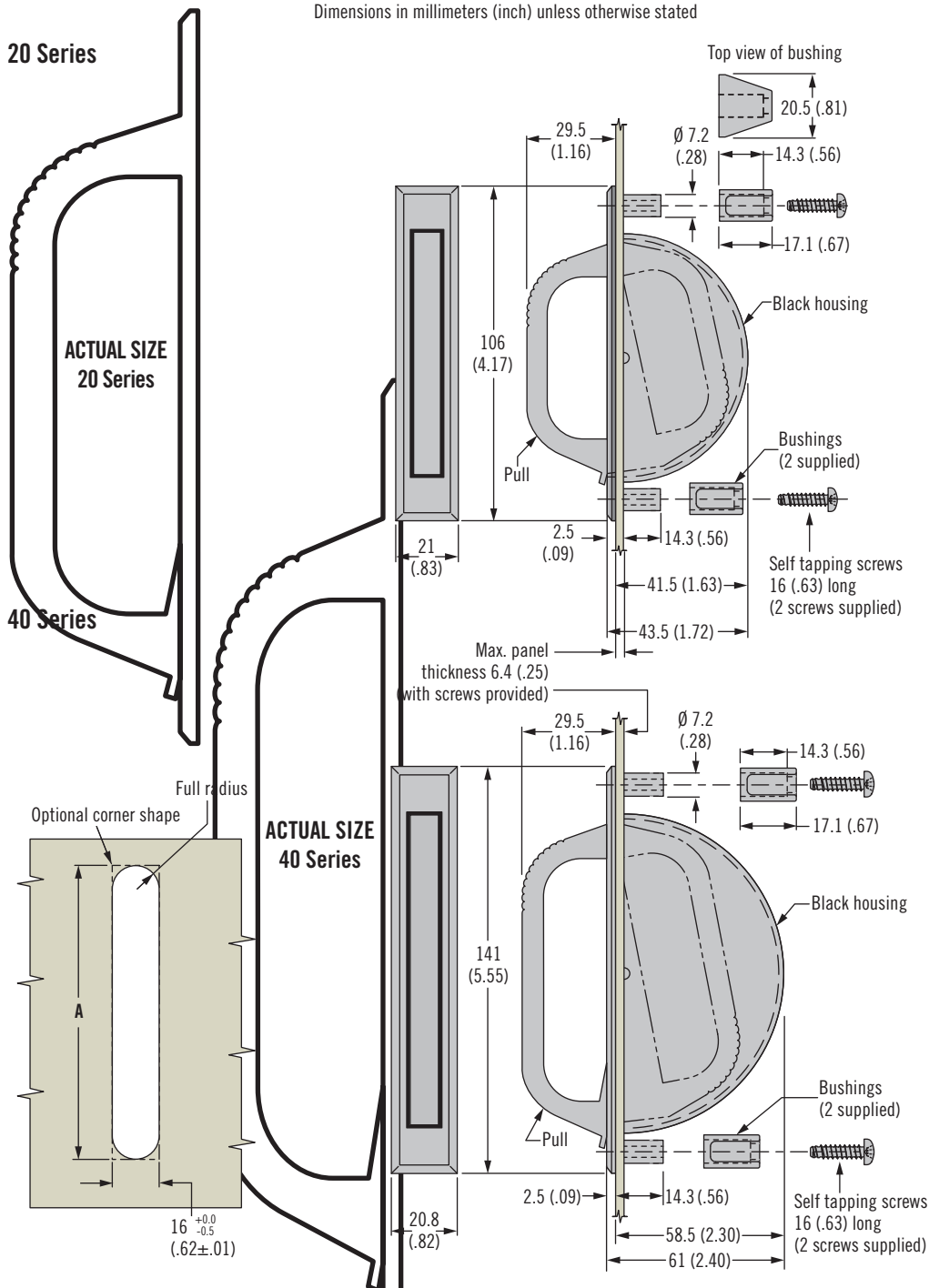
ADE
Above Board Electronics, Inc.

Request Info



1-800-453-1692

www.aboveboardelectronics.com



Series	Part Number		Installation
	Silver Handle	Black Handle	A
10-Plastic	~	67-10	76 ^{+1.0} / _{-.00} (3.00 ⁺⁰⁴ / _{-.00})
10-Metal	67-14	67-12	77.5 ^{+1.0} / _{-.00} (3.05 ⁺⁰⁴ / _{-.00})
20	67-27	67-25	102 ^{+1.0} / _{-.00} (4.00 ⁺⁰⁴ / _{-.00})
40	67-47	67-45	136 ^{+1.0} / _{-.00} (5.35 ⁺⁰⁴ / _{-.00})

Part Number

See table

Other options available. For complete details on variety, part numbers, installation and specification, go to

www.southco.com/67





B8 Grab Handle

Large · Surface mount

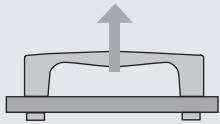
- Front or rear concealed installation
- Ergonomic, comfortable grip
- High strength, light-weight solution

Material and Finish

Handle: ABS plastic, black
Screws: Steel, zinc plated

Performance Details

Maximum static load: 775 N
(175 lbf)



Flammability rating: UL94-HB

Operating temperature range:
-40°C (-40°F) to 60°C (140°F)

Installation Notes

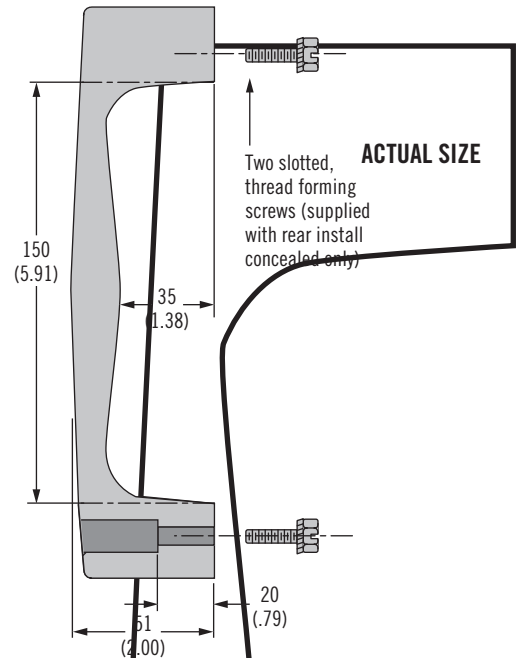
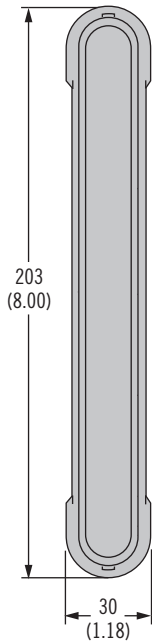
Maximum tightening torque of screws:

Rear install concealed only
4.0 N·m (35 in·lbf)

Notes

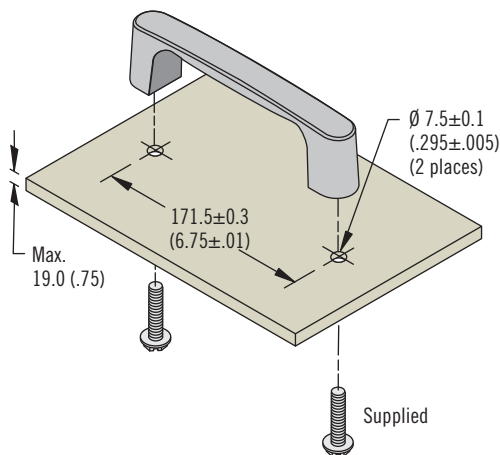
Bulk packaged

Dimensions in millimeters (inch) unless otherwise stated

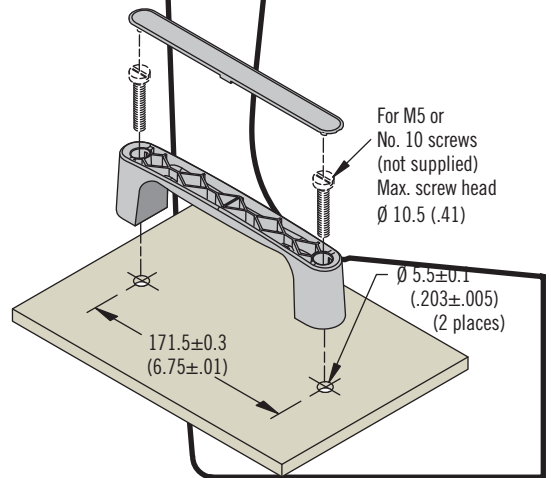


Part Number	
Rear Install Concealed	Front Install Concealed
B8-66-3	B8-63-3

Rear Install Concealed



Front Install Concealed



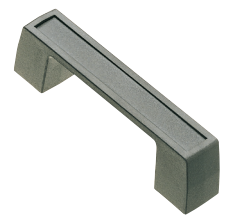
Other options available. For complete details on variety, part numbers, installation and specification, go to

www.southco.com/B8

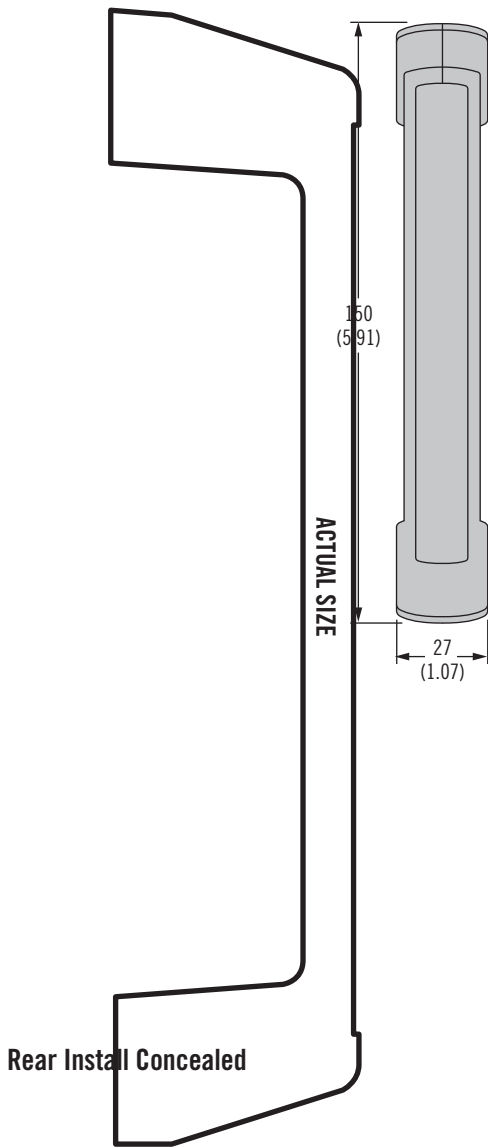


B8 Grab Handle

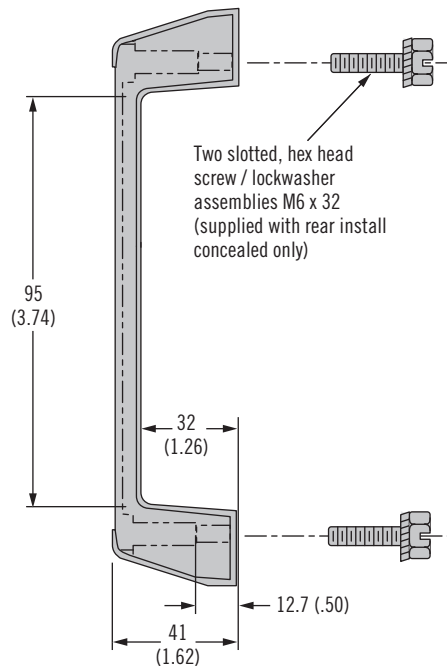
Small · Surface mount



Dimensions in millimeters (inch) unless otherwise stated



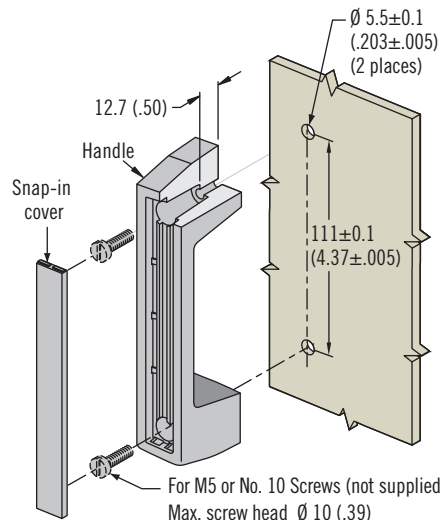
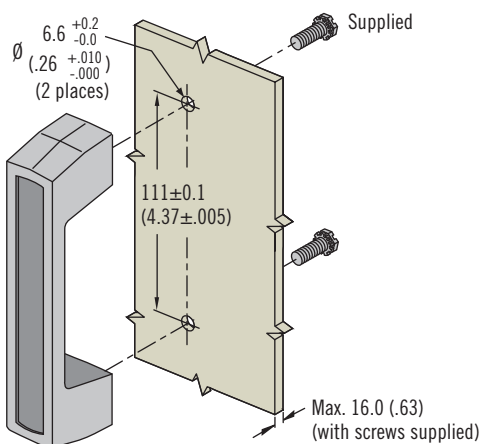
Rear Install Concealed



Two slotted, hex head screw / lockwasher assemblies M6 x 32 (supplied with rear install concealed only)

Part Number	
Rear Install Concealed	Front Install Concealed
B8-45-3	B8-43-3

Front Install Concealed



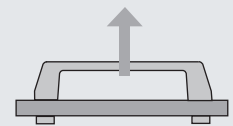
- Front or rear concealed installation
- Light-weight

Material and Finish

Handle: ABS plastic, black
Screws: Steel, zinc plated

Performance Details

Maximum static load: 550 N (125 lbf)



Flammability rating: UL94-HB

Operating temperature range:
-50°C (-60°F) to 60°C (140°F)

Installation Notes

Rear install concealed:
M6 x 32 screw assembly supplied.
Maximum tightening torque of screws: 4.0 N·m (35 in·lbf).
For door thickness greater than 16 (.63) calculate screw length using the following formula:
Door thickness + 16 (.63)

Notes

Bulk packaged

Other options available. For complete details on variety, part numbers, installation and specification, go to





P8 Grab Handle

Surface mount

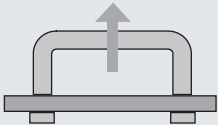
- Two styles and color options available
- Concealed installation
- Four standard lengths

Material and Finish

Aluminum, anodized, clear or black

Performance Details

Maximum working load: 1500 N (335 lbf)



Installation Notes

Screws not supplied.
 Calculate screw length using the following formula:
 Door thickness + 5 (.20)
 Maximum tightening torque of mounting screws: 1.7 N·m (15 in·lbf)

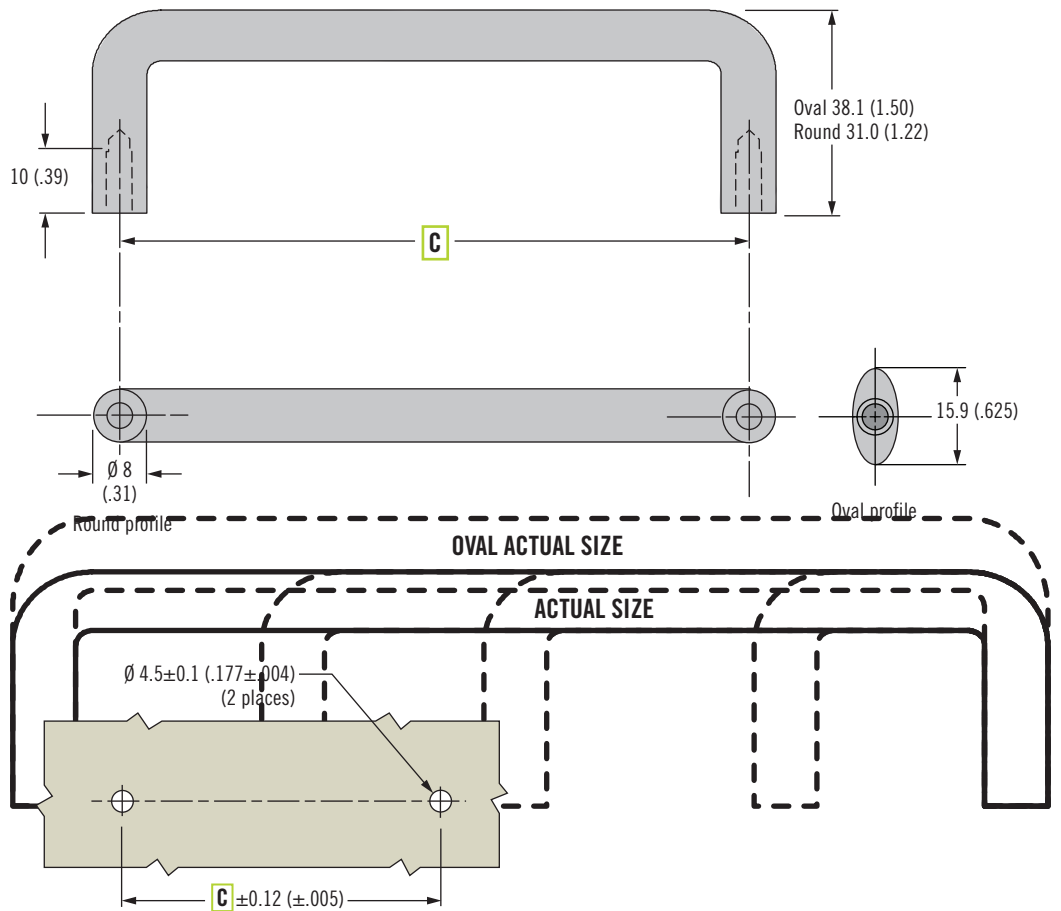
Part Number Selection

For visual identification:
 M4 products have a counterbored hole.
 8-32 products have a countersunk hole

Part Number

Oval profile handles are currently offered in a 10-32 thread only.

Dimensions in millimeters (inch) unless otherwise stated



Round Profile

P8 - **C** - 31 - **T** - 1 **F** - **P**

- C** Centers
- 030 30 (1.18) Hole centers
 - 064 64 (2.52) Hole centers
 - 096 96 (3.78) Hole centers
 - 128 128 (5.04) Hole centers

- T** Tapped mounting hole
- 08 Imperial 8-32
 - M4 Metric M4 x 0.7

- P** Packing option
- Omit for individual packaging (1 per bag)
 - 3 Layer packaging contact Southco

- F** Finish
- 1 Clear anodized
 - 5 Black anodized

Oval Profile

Finish	Part Number		C
	Bulk Packaged	Individually Packaged (1 per bag)	
Clear anodized	P8-128-38-10V-11-3	P8-128-38-10V-11	128 (5.04)
Black anodized	P8-128-38-10V-15-3	P8-128-38-10V-15	

Other options available. For complete details on variety, part numbers, installation and specification, go to

www.southco.com/P8



Request Info



1-800-453-1692

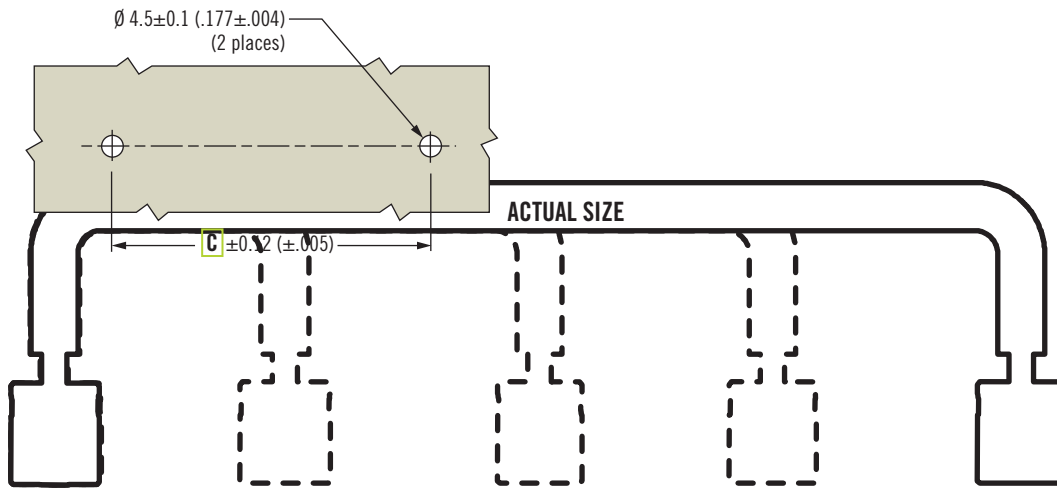
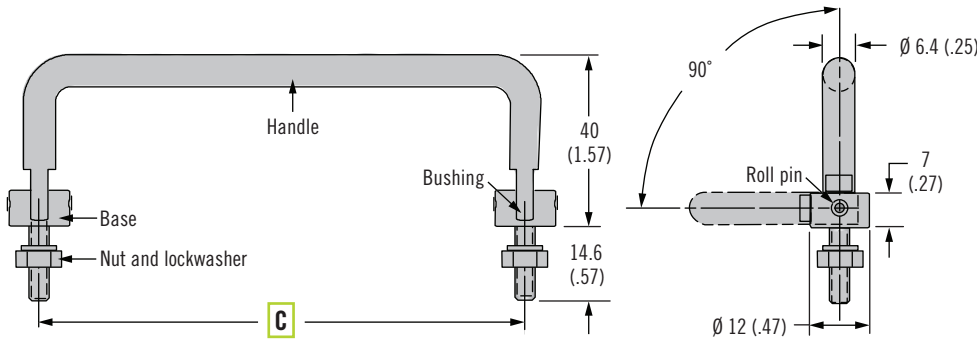
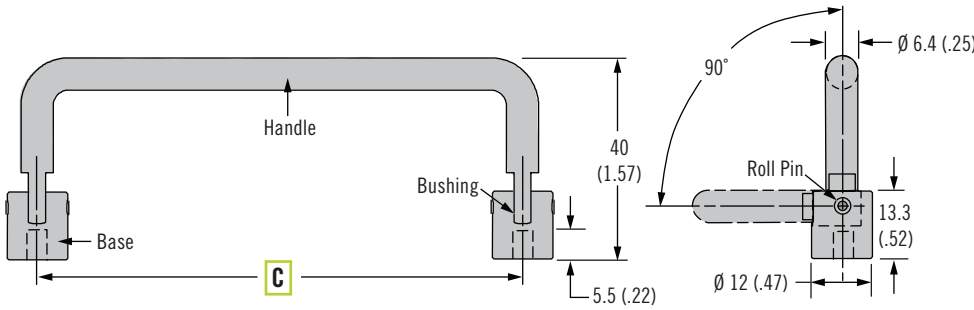
www.aboveboardelectronics.com

P9 Grab Handle

Folding · Surface mount



Dimensions in millimeters (inch) unless otherwise stated



P9 - C - 40 - T B - 1 F - P

C Centers

- 040 40 (1.57) Hole centers
- 064 64 (2.52) Hole centers
- 096 96 (3.78) Hole centers
- 128 128 (5.04) Hole centers

T Thread

- 08 Imperial 8-32
- M4 Metric M4 x 0.7

B Base type

- N Internal thread
- X External thread

P Packing option

- Omit for individual packaging (1 per bag)
- 3 Layer packaging contact Southco

F Finish

- 1 Clear anodized
- 5 Black anodized

- Low profile folding style
- Concealed installation
- Anti-rattle friction feature

Material and Finish

Handle and base:

Aluminum, anodized, clear or black

Roll pin, mounting nuts and lockwashers:

Stainless steel passivated

Bushing: Nylon

Performance Details

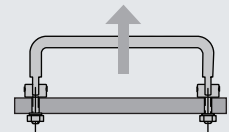
Maximum static load:

Internal threaded version

600 N (135 lbf)

External thread version

400 N (90 lbf)



Installation Notes

Internal thread:

Screws not supplied.

Calculate screw length using the following formula:

Door thickness + 5 (.20)

Maximum tightening torque of

mounting screws: 1.7 N·m

(15 in·lbf)

External thread:

Maximum door thickness 8.4 (.33)

Mounting nuts supplied.

Maximum tightening torque of nuts:

11.5 N·m (10 in·lbf)

Part Number Selection

For visual identification:

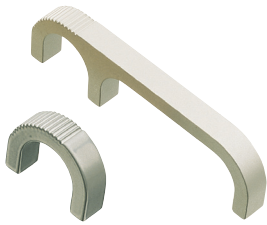
M4 products have a counterbored hole.

8-32 products have a countersunk hole

Other options available. For complete details on variety, part numbers, installation and specification, go to

www.southco.com/P9





B4 Handle

Surface mount

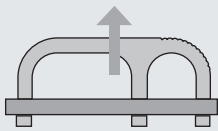
- Easy concealed installation
- Light-weight

Material and Finish

Aluminum, anodized, clear or black

Performance Details

Maximum static load:
5560 N (1250 lbf)

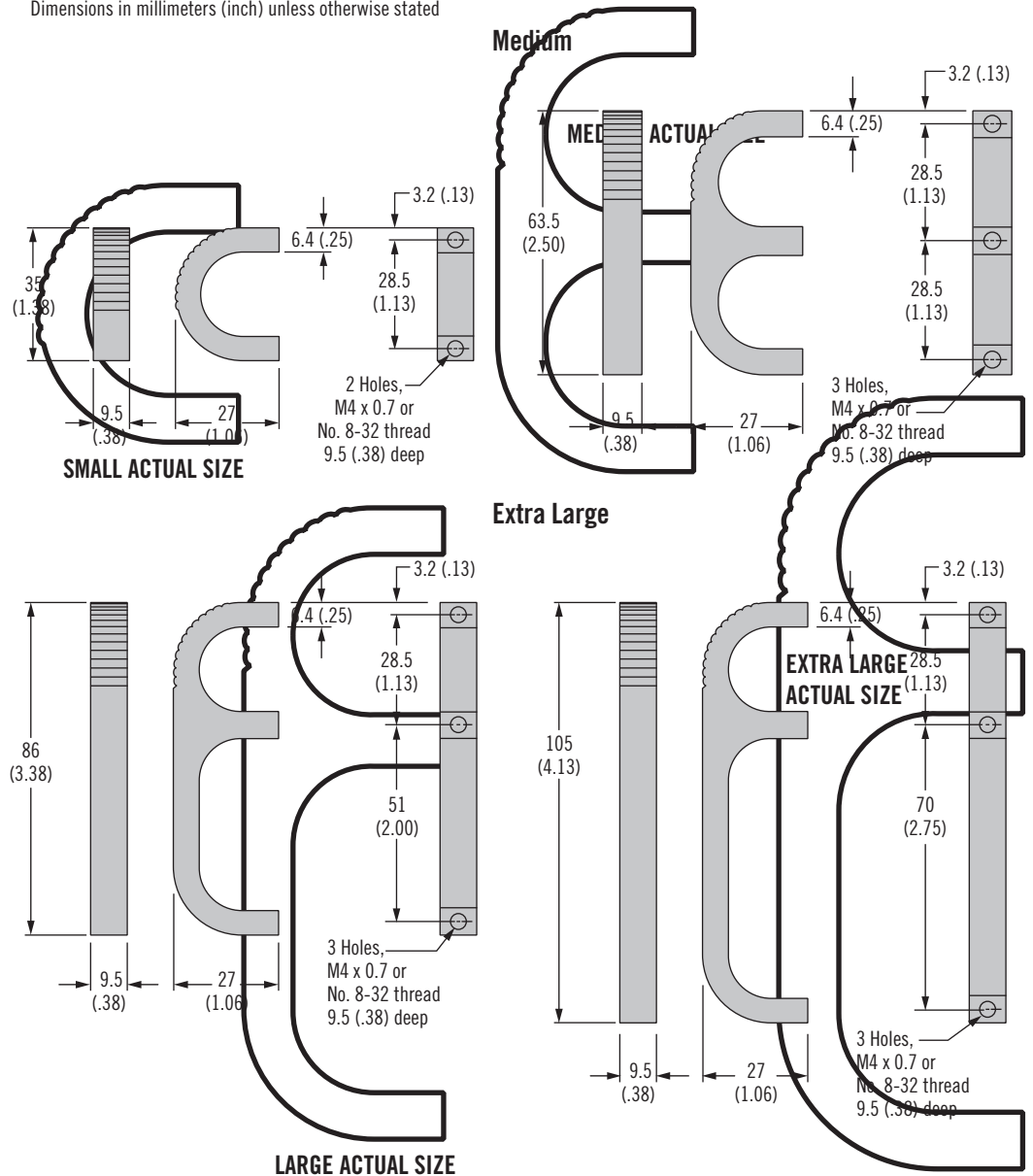


Installation Notes

Screws not supplied.
Calculate screw length using the following formula:
Door thickness + 9.5 (.38)
Center screw may be eliminated if desired (Medium, Large, and Extra Large sizes only)
Maximum recommended tightening torque of mounting screws:
2.3 N·m (20 in·lbf) (not supplied)

Part Number Selection

Dimensions in millimeters (inch) unless otherwise stated



B4 - T - S 03 - 1 F - P

- T** Tapped mounting hole
10 Imperial 8-32
50 Metric M4 x 0.7
- S** Size
1 Small
2 Medium
3 Large
4 Extra large

- P** Packing option
Omit for individual packaging
3 Layer packaged contact Southco

- F** Finish
1 Clear anodized
5 Black anodized

Other options available. For complete details on variety, part numbers, installation and specification, go to

www.southco.com/B4



Request Info



1-800-453-1692

www.aboveboardelectronics.com