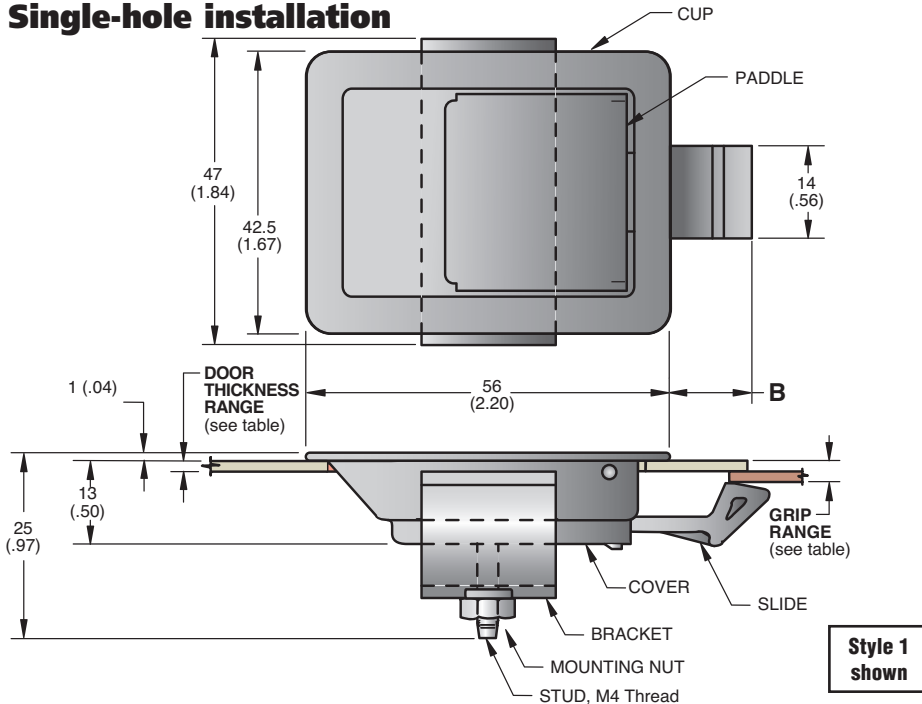


# Southco® Push to Close Latches

## Paddle Latch Series, Small Size

- Plastic Slide
- Pull paddle to open
- Accommodates many grips and thick panels
- Latch is flush with outer panel
- Single-hole installation

Push to Close Latches Visible



### Material and Finish

CUP, COVER, and PADDLE: 304 Stainless steel, passivated plus satin brushed finish or plus black (see table).

SLIDE: Glass reinforced nylon, natural.

BRACKET: 302 Stainless steel, passivated.

PIN and SPRINGS: 302 Stainless steel, passivated.

STUD: 304 Stainless steel, passivated.

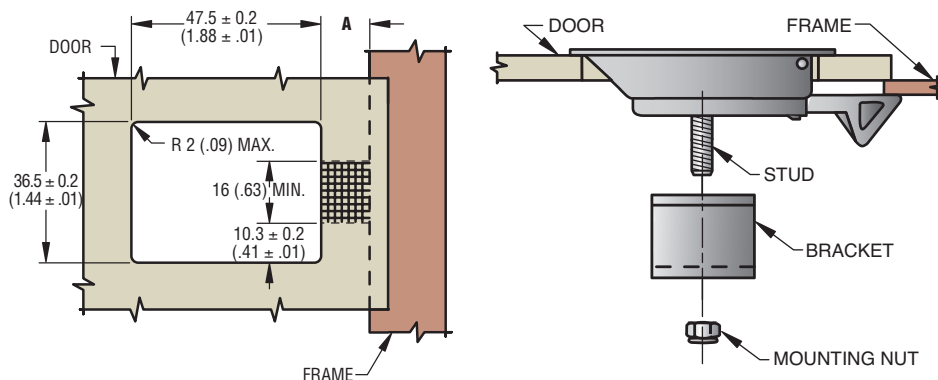
NUT: 304 Stainless steel, passivated with nylon insert.

| GRIP RANGE |            | PART NUMBERS             |                            |                          |      | Pawl Style | T          | A          |            | B |
|------------|------------|--------------------------|----------------------------|--------------------------|------|------------|------------|------------|------------|---|
| MIN.       | MAX.       | Door Thickness Range     |                            | MAX.                     | MIN. |            |            | MAX.       |            |   |
| 3.7 (.144) | MAX.       | 3.9 (.154) to 7.3 (.288) | 11.1 (.437) to 14.6 (.576) | 18.6 (.734) to 22 (.868) |      |            |            |            |            |   |
| 1.2 (.05)  | 2 (.08)    | 64-10-111-50 •           |                            |                          | 1    | 1.6 (.063) | 10.4 (.41) | 12.7 (.50) | 12.4 (.49) |   |
| 2.8 (.11)  | 3.6 (.14)  | 64-10-113-50 •           | 64-10-133-50               |                          | 2    | 3.2 (.125) |            |            |            |   |
| 6 (.23)    | 6.7 (.27)  | 64-10-124-50 •           | 64-10-114-50 •             |                          | 3    | 6.4 (.250) | 11.9 (.47) | 14.2 (.56) | 14.2 (.56) |   |
| 12.3 (.48) | 13.1 (.52) | 64-10-125-50 •           | 64-10-135-50               | 64-10-115-50 •           | 4    | 7.1 (.281) |            |            |            |   |
| 18.6 (.73) | 19.4 (.77) | 64-10-126-50 •           |                            | 64-10-116-50 •           | 5    | 7.1 (.281) |            |            |            |   |

Latch, mounting bracket and nut are shipped separately, bulk.  
For an assembly with a Black Powder Coated Cup, Paddle and Cover; change the last digit of the part number to "5". Ex. 64-10-111-55.

### Installation

1. Prepare door. Door thickness must not exceed T dimension (see table) in area through which slide will operate. It may be necessary to reduce thickness of door in area indicated by grid.
2. Insert latch in door and tighten mounting nut onto the bracket.



| STYLE | STRENGTH GUIDELINES        |                                |
|-------|----------------------------|--------------------------------|
|       | MAX. working load N (lbs.) | Average ultimate load N (lbs.) |
| 1     | 130 (30)                   | 330 (75)                       |
| 2     | 110 (25)                   | 160 (35)                       |
| 3     | 90 (20)                    | 140 (30)                       |
| 4     | 70 (15)                    | 120 (25)                       |
| 5     | 55 (12)                    | 90 (20)                        |

Flammability Rating: UL 94 - V-0

Operating Temperature Range:

-18°C (0°F) to 100°C (210°F)

millimeter (inch)  
millimeter (inch)

Dimensions without tolerances are for reference only.