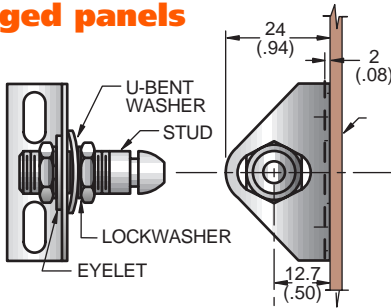


Southco® Multi-point Latching Systems

Hidden Panel-latching System

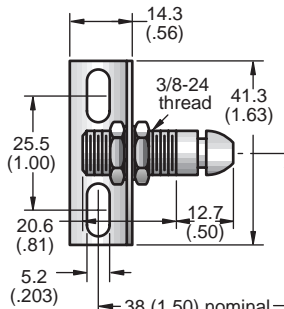
- Push to close, push the button to open
- For remote latching
- Floating keeper accommodates hinged panels
- Fixed keeper accommodates lift-off panels

Floating keeper for hinged panels



Stud will float 4 (.16) total movement

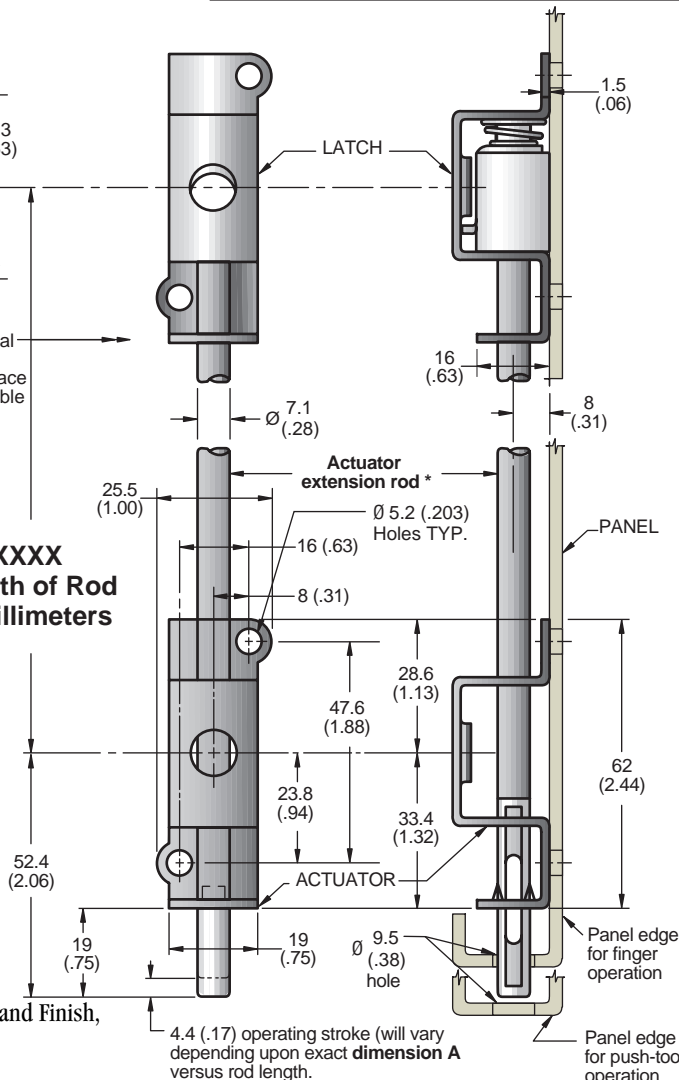
Fixed keeper for lift-off panels



XXXX
Length of Rod
in Millimeters

A Complete Assembly Consists of:
A. Keeper, B. Rod, C. Actuator, D. Latch
Order each component separately.

PART NUMBERS		
A	Floating Keeper	E2-55-102-10
	Fixed Keeper	E2-55-101-10
B	250 mm	E2-46-0250-16
	500 mm	E2-46-0500-16
	750 mm	E2-46-0750-16
	1250 mm	E2-46-1250-16
To order rod lengths other than the standard lengths above, use part number E2-46-XXXX-16 (XXXX= length in mm, Min. =160 mm; Max.= 1372 mm). Minimum order: 100 units		
C	Actuator	E2-91-101
D	Latch	E2-92-101

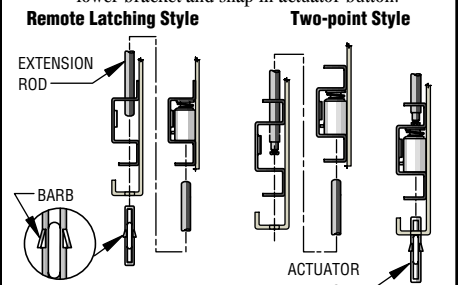


See page 158 for Material and Finish, and Strength guidelines.

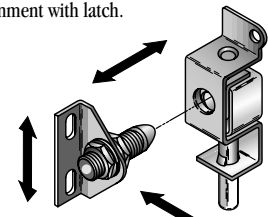


Installation

- Mount brackets on inside surface of your panel using studs, welds, M5 (No.10) screws or Ø5 (.188) rivets.
 - 13 (.50) approx. Finger (push-button) operation
 - 22 (.88) approx. Push-tool operation (button recessed)
- Slide receiver assembly into side of upper bracket.
 - BRACKET
 - RECEIVER ASSEMBLY
- Remote latching style-** Insert extension rod and actuator button into brackets.
 - Two-point style-** Insert extension rod into brackets then slide receiver assembly into side of lower bracket and snap into actuator button.



- Mount keeper with M5 (No. 10) screws. Keeper can be adjusted 3.2 (.13) from center both vertically and horizontally for proper alignment with latch.



millimeter (inch)
millimeter (inch)

Dimensions without tolerances are for reference only.

Multi-point
Latching System