

# COMPACT Clamshell Swing Door Latch

**FIXED DOOR THICKNESSES:** 12.7mm (1/2"); 18mm (1 1/16"); and 28mm (1 1/8").

The Compact Clam Shell features the simple yet graceful design of the Compact latch. The Clamshell design provides quick installation in doors down to 12.7mm (1/2") thick.

Standard features include:

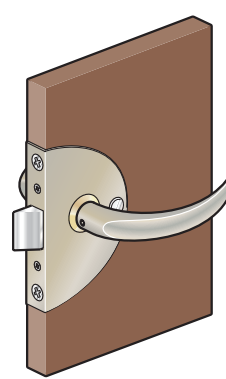
- All Marine-grade materials, including stainless steel and brass for superior corrosion resistance
- Emergency lock override
- Allows for quick door cut-out, with easy installation

Available Options:

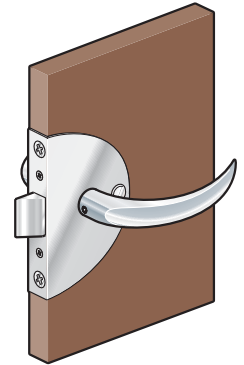
**Door Thickness:** Custom door thickness options are available at minimum quantities. Contact Southco for information.

**Finish:** Options include Sandstone, with/without Diamond-Brass accent ring; Chrome

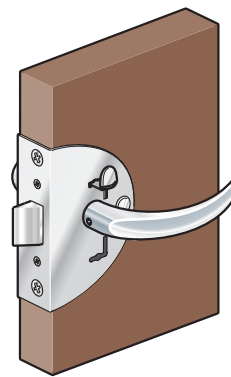
**Door keeper:** Optional, use to hold door open. See page 54.



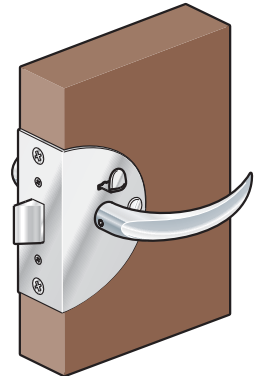
**MC-04-101-84  
(MC-04-101-80)**



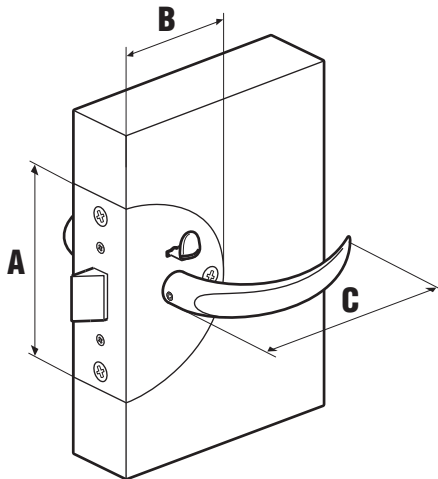
**MC-04-101-10**



**MC-04-122-10**



**MC-04-123-10**

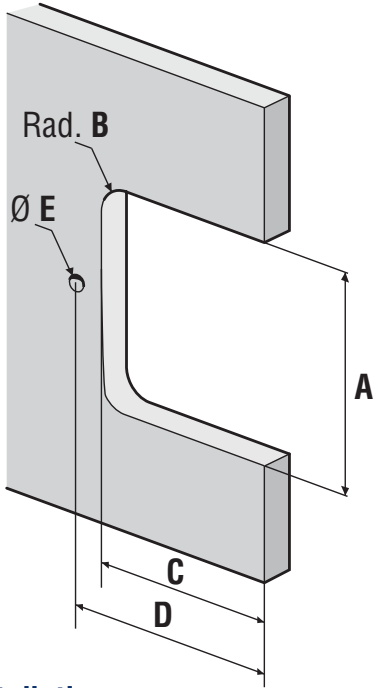


	Imperial		Metric
	Nominal	Decimal	
<b>A</b>	3 9/16	3.55	90
<b>B</b>	2 3/4	2.76	70
<b>C</b>	3 5/16	3.31	84

**For Strikers  
see page 52**

CLAMSHELL PART NUMBERS				
	Finish	Door thickness	Privacy	Swing
MC-04-101-84	Sandstone with diamond brass accent ring	12.7 mm (1/2")		All
MC-04-101-80	Sandstone	12.7 mm (1/2")		All
MC-04-101-10	Chrome	12.7 mm (1/2")		All
MC-04-122-10	Chrome	18.0 mm (11/16")	x	All
MC-04-123-10	Chrome	28.0 mm (1 1/8")	x	All

## Panel Preparations



	Imperial		Metric
	Nominal	Decimal	
<b>A</b>	2 1/4	2.25	57.2
<b>B</b>	1/4	.25	6.4
<b>C</b>	1 7/8	1.875	47.6
<b>D</b>	2 13/32	2.406	61.1
<b>E</b>	1/4	.25	6.4

## Installation

