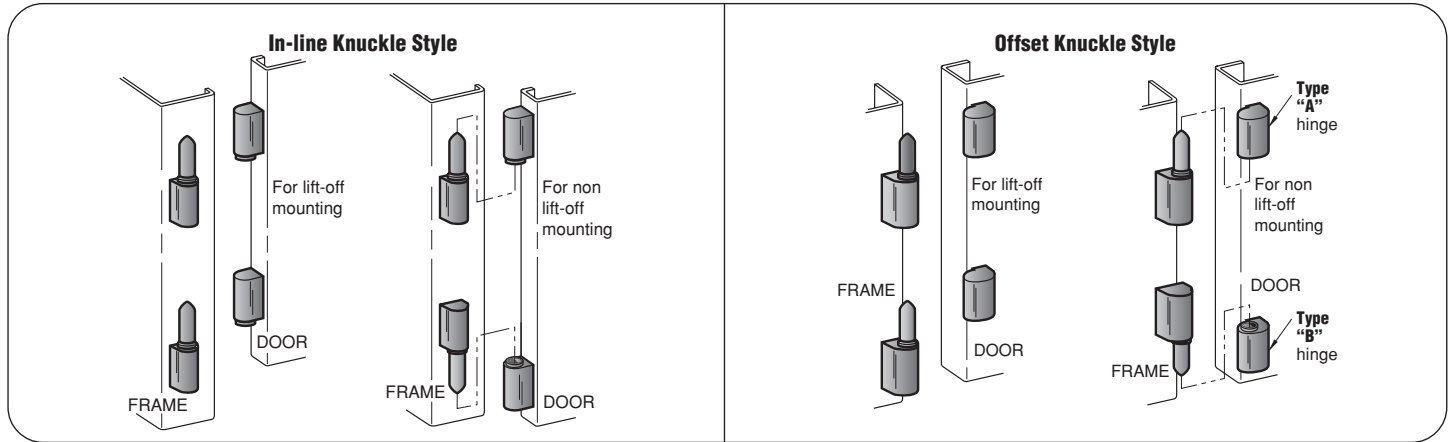
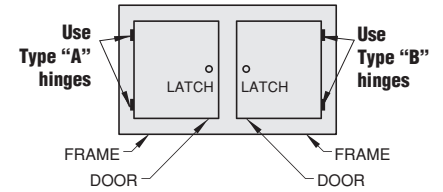


Southco® Hinges

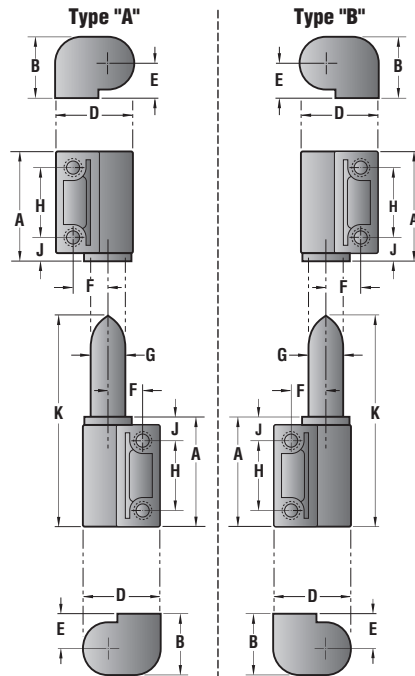
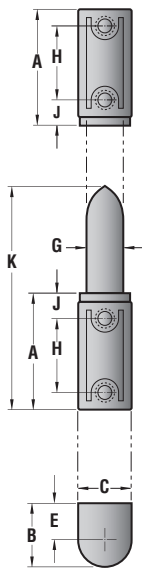
Medium and Large Sizes, Nylon

- Allows the door to be removed from the hinge side
- Corrosion-resistant materials
- Door can also be permanently installed



IN-LINE KNUCKLE STYLE

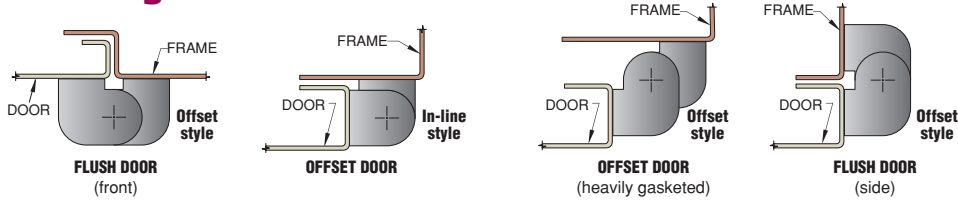
OFFSET KNUCKLE STYLE



| DIMENSIONS | | | | | | | | | PART NUMBERS | | | |
|-------------------|--------|-------|-------|--------|----------|--------|-------|--------|-----------------------|----------------------|---------------|---------------|
| Screw thread size | A | B | C | D | E, F & G | H | J | K | In-line Knuckle Style | Offset Knuckle Style | | |
| | | | | | | | | | | Type "A" | Type "B" | |
| 300 Series | | | | | | | | | | | | |
| M5 | 31 | 16.7 | 14.3 | 21.5 | 9.5 | 19 | 7 | 58 | 96-50-300-11● | 96-50-310-11● | 96-50-320-11● | |
| 10-24 | (1.22) | (.66) | (.56) | (.84) | (.38) | (.75) | (.28) | (2.28) | | 96-10-300-11● | 96-10-310-11● | 96-10-320-11● |
| 400 Series | | | | | | | | | | | | |
| M6 | 41.3 | 22.2 | 19 | 28.5 | 12.7 | 25.5 | 9.5 | 78 | 96-50-400-11● | 96-50-410-11● | 96-50-420-11● | |
| 1/4-20 | (1.63) | (.88) | (.75) | (1.13) | (.50) | (1.00) | (.38) | (3.06) | | 96-10-400-11● | 96-10-410-11● | 96-10-420-11● |

Hinges
Lift-off

Mounting Variations



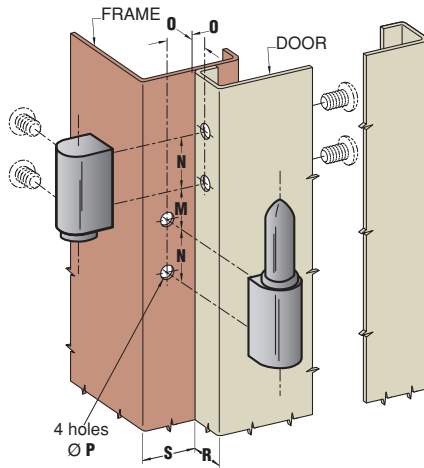
Door and Frame Preparation

NOTE: To insure lift-off capability, the lower knuckle must be installed on the frame, the upper knuckle on the door.

NOTE: For non-lift-off mounting one hinge knuckle must be mounted AFTER the door is hung.

| SERIES | INSTALLATION DIMENSIONS | | | | Screw thread size |
|--------|---|--|---|---|-------------------|
| | M | N | O | Ø P | |
| 300 | 14.3 ^{+0.0} _{-0.3} (.563±.008) | 19 ^{+0.2} _{-0.1} (.750±.008) | 9.5 ^{+0.3} _{-0.1} (.375±.005) | 5.4 ^{+0.1} _{-0.0} (.205 ^{+0.003} _{-.000}) | M5 (10-24) |
| 400 | 19.0 ^{+0.0} _{-0.3} (.750±.008) | 25.5 ^{+0.1} _{-0.2} (1.000±.008) | 12.7 ^{+0.2} _{-0.1} (.500±.005) | 6.7 ^{+0.1} _{-0.0} (.264 ^{+0.003} _{-.000}) | M6 (1/4-20) |

In-Line Knuckle Style...



For 300 series: Screw length = panel thickness + 4.8 (.186). (Screws not supplied).

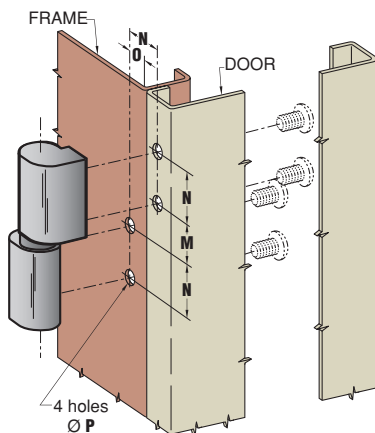
For 400 series: Screw length = panel thickness + 6.4 (.250). (Screws not supplied).

NOTE: For door to open a full 180°, one of the two dimensions, **R** or **S**, must be less than 25.4 (1.00).

Offset Knuckle Style...Type "A"

For 300 series:

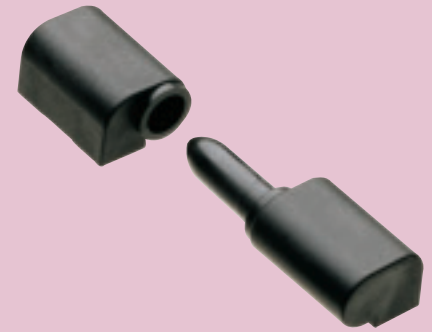
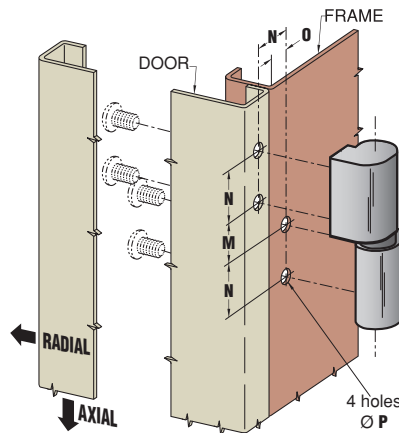
Screw length = panel thickness + 6.5 (.250) to 9.5 (.375). *Screws not supplied.*



Offset Knuckle Style...Type "B"

For 400 series:

Screw length = panel thickness + 9.5 (.375) to 12.7 (.500). *Screws not supplied.*



Material and Finish

KNUCKLES: Glass-reinforced nylon, black.
PIN: Nylon, black.

Note:

Maximum recommended tightening torque for mounting screws:

300 series = 2.8 N•m (25 in. lbs.)

400 series

(in-line) = 2.5 N•m (22 in. lbs.)

(offset) = 2.8 N•m (25 in. lbs.)

Product Strength Guidelines

(To assist in your product selection; samples are available for your evaluation.)

300 series

RADIAL

Maximum working load - 670 N (150 lbs.)

Average ultimate load - 1300 N (290 lbs.)

AXIAL

Maximum working load - 1100 N (250 lbs.)

Average ultimate load - 2500 N (550 lbs.)

400 series

RADIAL

Maximum working load - 1300 N (300 lbs.)

Average ultimate load - 2600 N (600 lbs.)

AXIAL

Maximum working load - 2200 N (500 lbs.)

Average ultimate load - 5000 N (1100 lbs.)

millimeter (inch)
millimeter
(inch)

Dimensions without tolerances are for reference only.