

**MALE RIBBON-SHIELDED TERMINATORS (MR SERIES)**



**PHYSICAL PROPERTIES**

INSULATION MATERIAL: Thermoplastic rated UL 94V-0.  
 CONTACTS: High strength copper alloy; 30 μ inches minimum gold over 50 μ inches nickel in contact zone.

**ELECTRICAL PROPERTIES**

WATTAGE RATING: 1/8 Watt  
 MAXIMUM OPERATING VOLTAGE: 50 volts

**ENVIRONMENTAL PROPERTIES**

TEMPERATURE RATING: -55°C to 125°C

**CONFIGURATION:**

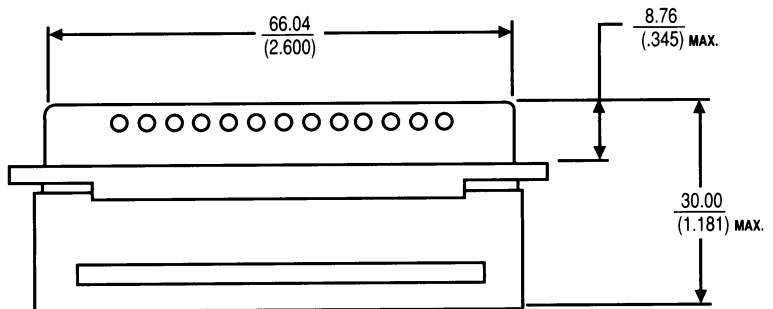
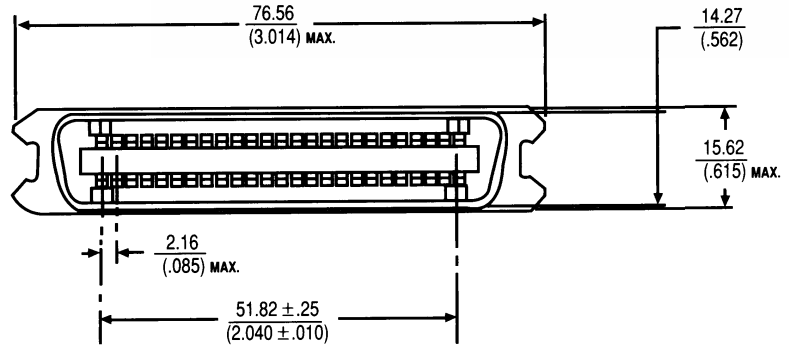
External, end-of-line, shielded

**APPLICATION:**

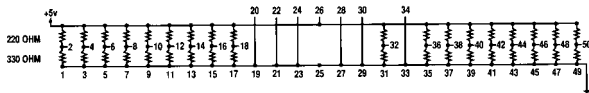
SCSI-1 and SCSI-2 systems.  
 Shield allows use in systems with separate equipment enclosures.

**RECOMMENDED MATING CONNECTOR:**

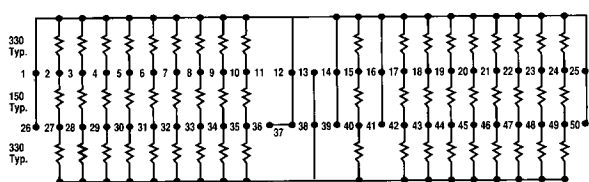
P/N 622-50FM3



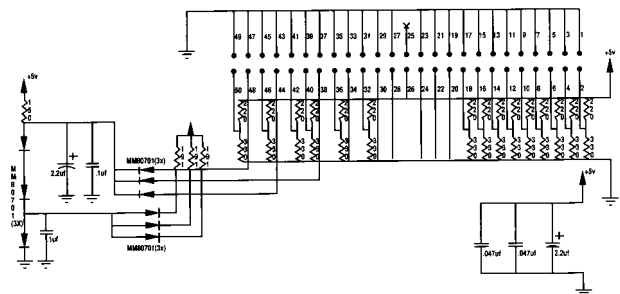
PART NUMBER	STYLE
TRM-50-01	Single-Ended
TRM-50-02	Differential
TRM050MRFPT	Forced Perfect



Single-Ended



Differential



Forced Perfect