

FINE-PITCH IDC INLINE UNSHIELDED TERMINATORS (FPSL SERIES)



PHYSICAL PROPERTIES

INSULATION MATERIAL: Thermoplastic rated UL 94V-0.

CONTACTS: Copper alloy; Tin-lead over nickel plating overall.

CONFIGURATION:

Internal, end-of-line, unshielded

APPLICATION:

SCSI-2 and SCSI-3 systems. Should be used in application within an enclosure.

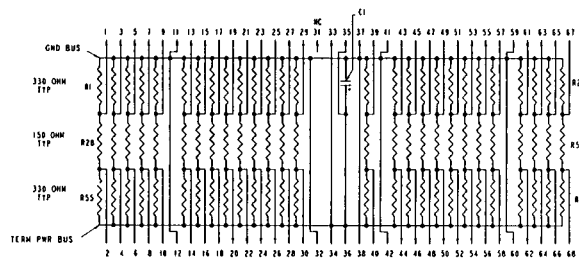
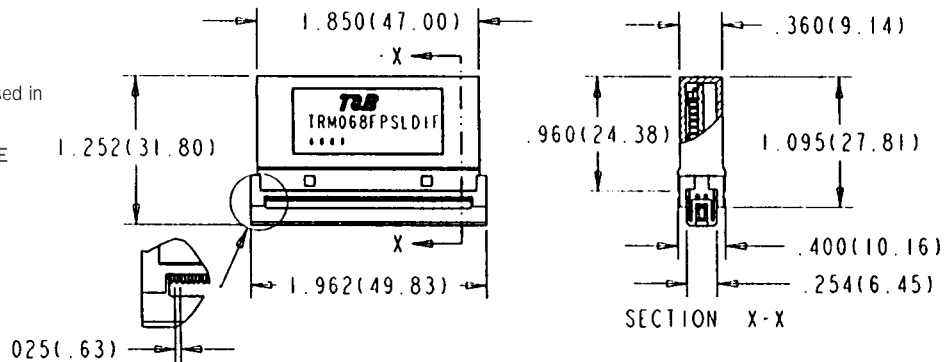
INSTALLATION TOOL FOR SLIMLINE

IDC TERMINATOR:

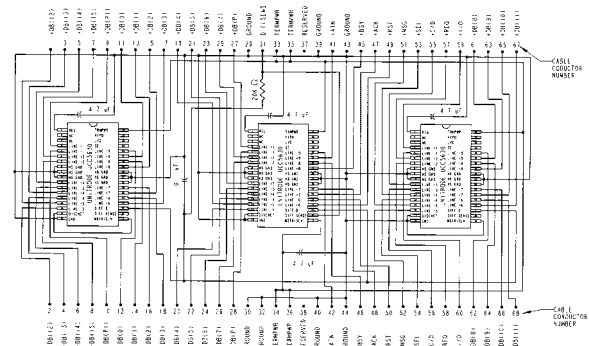
779-TRM68

RECOMMENDED CABLES

- 126-068
- 137-068
- 140-068
- 141-068

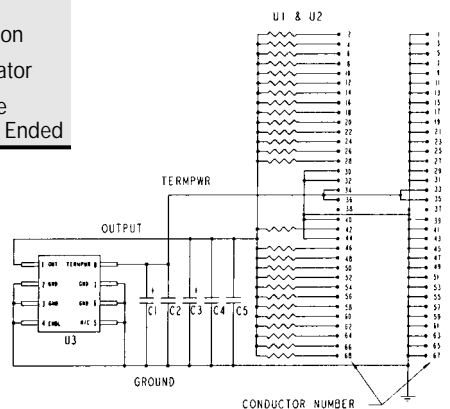


Differential

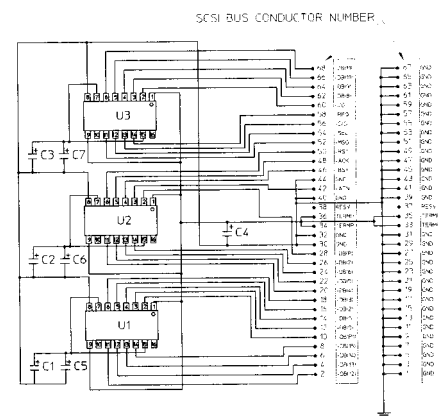


Low Voltage Differential / Single Ended

PART NUMBER	STYLE
TRM068FPSLDIF	Differential
TRM068FPSLAN	Active Negation
TRM068FPSLVR	Voltage Regulator
TRM068FPSLLVDSE	Low Voltage Differential/Single Ended



Voltage Regulator



Active Negation