

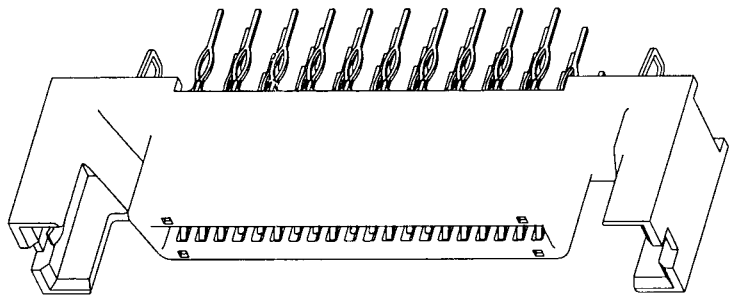
DESCRIPTION/APPLICATION

Thomas & Betts SCA-2 connectors are designed for direct attachment of SCSI and fibre channel disk drives to printed circuit boards. The connectors conform to the standards established by the Small Form Factors (SFF) committee. Thomas & Betts' SCA-2 connectors are available with 80 and 40 contacts in either solder or press-fit termination tails. All sizes and board termination combinations are available in both high (.624") and standard (.388") profiles.

DESIGN ADVANTAGES

- Sufficient contact wipe is assured with all SFF revision plugs.
- Interchangeable with industry standard receptacles.
- Press-Fit and solder versions are completely interchangeable; Press-Fit contacts can be retrofitted into PCBs designed for solder termination.

SCA-2 PCB MOUNT RECEPTACLES



**SOLDER TAIL
PC BOARD MOUNT
RECEPTACLES**



LR49571 E60980

PHYSICAL PROPERTIES

Mating Force: 90 grams/contact max.
per EIA-364-13A
Withdrawal Force: 15 grams/contact max.
per EIA-364-13A
Durability: 500 mating cycles min per EIA-364-09A

MATERIALS AND FINISHES

INSULATOR: Thermoplastic, UL 94V-0 Rated, reflow solder compatible; black
CONTACT: High strength copper alloy, 30µ" gold selectively plated over mating area; tin/lead over tail area, 50µ" nickel underplate overall
BOARD LATCH: Tin/lead plated copper alloy

ELECTRICAL PROPERTIES

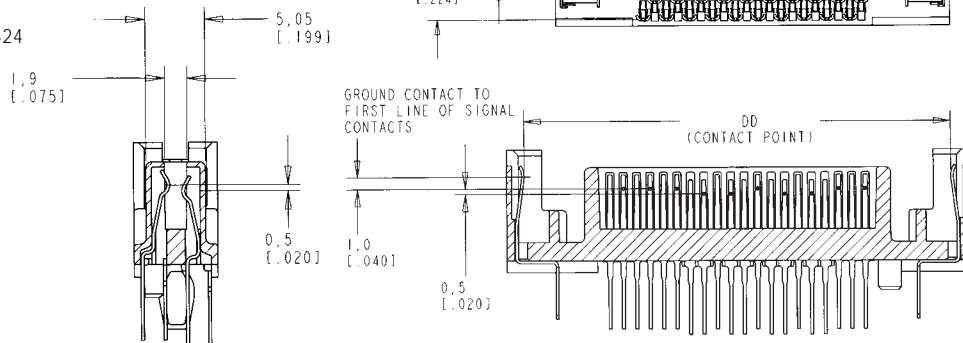
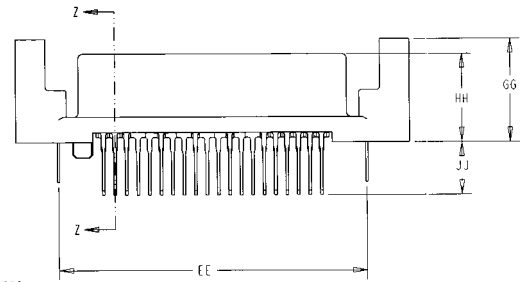
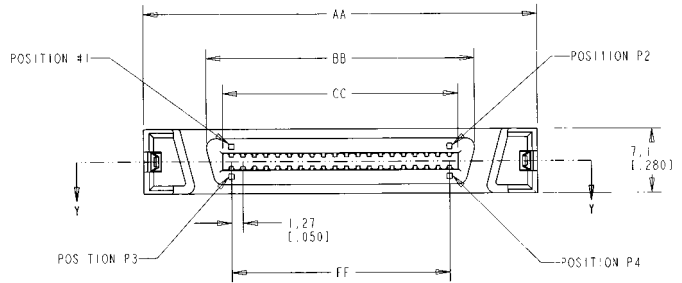
CURRENT RATING: 1 Ampere minimum per isolated contact per UL498
INSULATION RESISTANCE: 1000 megohms min per EIA-364-21A
DIELECTRIC STRENGTH: 500 volts AC min @ sea level per EIA-364-20A
CONTACT RESISTANCE: 35 milliohms max. per EIA-364-23A

ENVIRONMENTAL PROPERTIES

TEMPERATURE RATING: -55° to 105° C
TEMPERATURE CYCLING: EIA-364-32A
VIBRATION: EIA-364-28A

REFERENCE

SALES DRAWING: 1305115
SPECIFICATION: PFS-1018
PCB HOLE PATTERNS: See page 424



Insertion Block

- 40 pos. 160500704001
- 80 pos. 160500708001

SCA-2 Solder Termination Ordering Information

SIZE	DIMENSIONS						TAIL LENGTH JJ	CATALOG NUMBER	
	AA	BB	CC	DD	EE	FF		STANDARD LOW PROFILE GG=11,5 [.453] HH=9,85 [.388]	HIGH PROFILE GG=17,5 [.689] HH=15,85 [.624]
40	43.60 [1.717]	29.67 [1.168]	26.03 [1.025]	40.20 [1.583]	34.11 [1.343]	24.13 [.950]	1,78 [.070]	T1R040ST291	T2R040ST291
							2,79 [.110]	T1R040ST292	T2R040ST292
							3,18 [.125]	T1R040ST293	T2R040ST293
							4,06 [.160]	T1R040ST294	T2R040ST294
							4,57 [.180]	T1R040ST295	T2R040ST295
80	69.00 [2.717]	55.07 [2.168]	51.43 [2.025]	65.60 [2.583]	59.51 [2.343]	49.53 [1.950]	1,78 [.070]	T1R080ST291	T2R080ST291
							2,79 [.110]	T1R080ST292	T2R080ST292
							3,18 [.125]	T1R080ST293	T2R080ST293
							4,06 [.160]	T1R080ST294	T2R080ST294
							4,57 [.180]	T1R080ST295	T2R080ST295