

FEMALE SOCKET CONNECTOR WITH 30μ INCHES GOLD .100" x .100" CENTERS



LR92984 E60980

PHYSICAL PROPERTIES

INSULATION MATERIAL: Glass filled thermoplastic rated UL 94V-0

COLOR: Blue

CONTACTS: Beryllium copper 30μ inches minimum gold over 50μ inches nickel in contact zone; tin/lead over nickel in termination area

ELECTRICAL PROPERTIES

CURRENT RATING: 1 Amp

INSULATION RESISTANCE: >1 x 10⁹ Ohms @ 500 VDC

DIELECTRIC STRENGTH: > 1000 VRMS at sea level

ENVIRONMENTAL PROPERTIES

TEMPERATURE RATING: -55°C TO 125°C

CABLE REQUIREMENTS

See Pages 108-120

MATING CONNECTORS

HEADERS: See pages 24-42

MALE IDC: See pages 45-47

ACCESSORIES

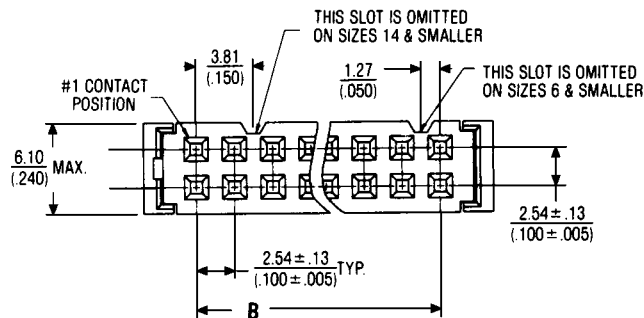
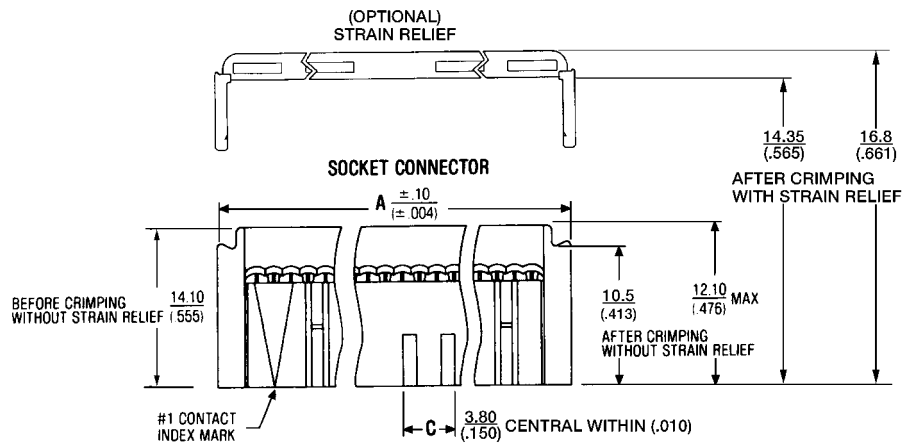
POLARIZATION KEY, PULL TAB & STRAIN RELIEF: See page 14

APPLICATION TOOLING

HAND TOOL: 779-2100
use Die 779-2151

BENCH PRESS (MANUAL): 779-3200
use Platen 779-3130
use Base Plate 779-3151

BENCH PRESS (PNEUMATIC): 779-3500XT
use Platen 779-3130
use Base Plate 779-3151



Ordering Information

SOCKET CONN.	SOCKET CONN. W/ STRAIN RELIEF	CATALOG NUMBERS		NO. OF POS.	DIMENSIONS IN MM (INCHES)		
		POLARIZED SOCKET CONN.	POLARIZED SOCKET W/ STRAIN RELIEF		A	B	C
622-0400	622-0401	622-0430	622-0441	04	9.58 (.377)	2.54 (.100)	1.90 (.075)
622-0600	622-0601	622-0630	622-0641	06	12.12 (.477)	5.08 (.200)	1.90 (.075)
622-1000	622-1001	622-1030	622-1041	10	17.20 (.677)	10.16 (.400)	3.20 (.126)
622-1200	622-1201	622-1230	622-1241	12	19.74 (.777)	12.70 (.500)	3.80 (.150)
622-1400	622-1401	622-1430	622-1441	14	22.28 (.877)	15.24 (.600)	3.80 (.150)
622-1600	622-1601	622-1630	622-1641	16	24.81 (.977)	17.78 (.700)	3.80 (.150)
622-2000	622-2001	622-2030	622-2041	20	29.90 (1.177)	22.86 (.900)	3.80 (.150)
622-2400	622-2401	622-2430	622-2441	24	34.96 (1.377)	27.94 (1.100)	3.80 (.150)
622-2600	622-2601	622-2630	622-2641	26	37.52 (1.477)	30.48 (1.200)	3.80 (.150)
622-3000	622-3001	622-3030	622-3041	30	42.40 (1.677)	35.56 (1.400)	3.80 (.150)
622-3400	622-3401	622-3430	622-3441	34	47.68 (1.877)	40.64 (1.600)	3.80 (.150)
622-3600	622-3601	622-3630	622-3641	36	50.22 (1.977)	43.18 (1.700)	3.80 (.150)
622-4000	622-4001	622-4030	622-4041	40	55.30 (2.177)	48.26 (1.900)	3.80 (.150)
622-4400	622-4401	622-4430	622-4441	44	60.38 (2.377)	53.34 (2.100)	3.80 (.150)
622-5000	622-5001	622-5030	622-5041	50	68.00 (2.677)	60.95 (2.400)	3.80 (.150)
622-6000	622-6001	622-6030	622-6041	60	80.70 (3.177)	73.66 (2.900)	3.80 (.150)
622-6400	622-6401	622-6430	622-6441	64	85.78 (3.377)	78.74 (3.100)	3.80 (.150)

FEMALE SOCKET CONNECTOR WITH 15μ INCHES GOLD

.100" x .100" CENTERS



LR92984 E60980

PHYSICAL PROPERTIES

INSULATION MATERIAL: Glass filled thermoplastic
rated UL 94V-0

COLOR: Black

CONTACTS: Phosphor bronze 15μ inches minimum
gold over 50μ inches nickel in contact zone;
tin/lead over nickel in termination area

ELECTRICAL PROPERTIES

CURRENT RATING: 1 Amp

INSULATION RESISTANCE: >1 x 10⁹ Ohms @ 500 VDC

DIELECTRIC STRENGTH: > 1000 VRMS at sea level

ENVIRONMENTAL PROPERTIES

TEMPERATURE RATING: -55°C TO 125°C

CABLE REQUIREMENTS

See Page 108-120

MATING CONNECTORS

HEADERS: See pages 24-42

MALE IDC: See pages 45-47

ACCESSORIES

POLARIZATION KEY, PULL TAB & STRAIN RELIEF: See
page 14

APPLICATION TOOLING

HAND TOOL: 779-2100

use Die 779-2151

BENCH PRESS (MANUAL): 779-3200

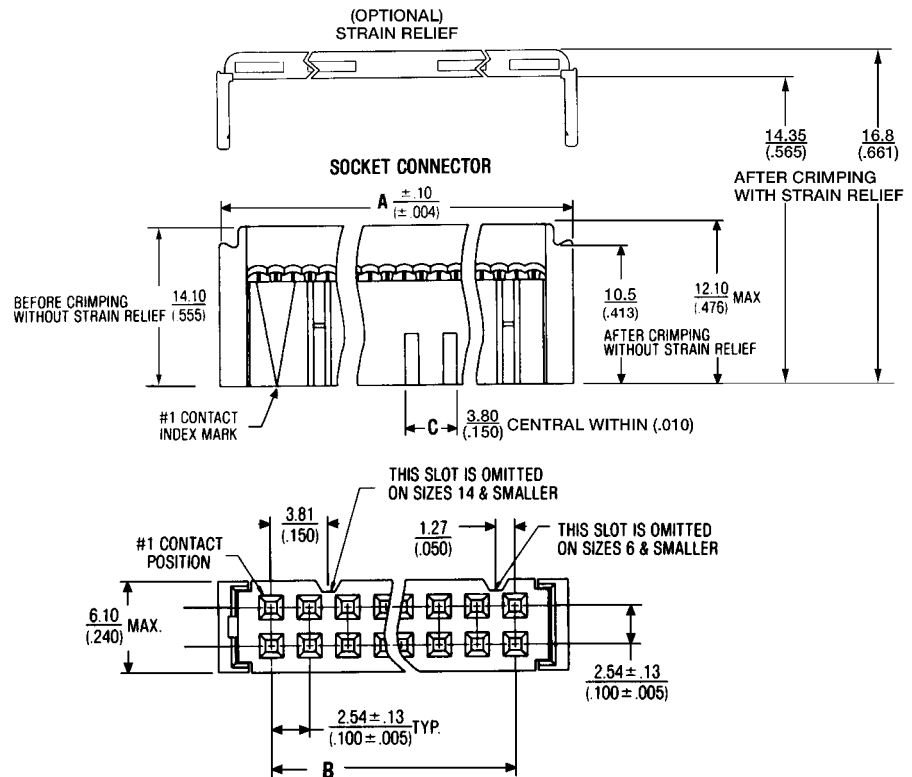
use Platen 779-3130

use Base Plate 779-3151

BENCH PRESS (PNEUMATIC): 779-3500XT

use Platen 779-3130

use Base Plate 779-3151



Ordering Information

SOCKET CONN.	SOCKET CONN. W/ STRAIN RELIEF	CATALOG NUMBERS		NO. OF POS.	DIMENSIONS IN MM (INCHES)		
		POLARIZED SOCKET CONN.	POLARIZED SOCKET W/ STRAIN RELIEF		A	B	C
636-1000	636-1001	636-1030	636-1041	10	17.20 (.677)	10.16 (.400)	3.20 (.126)
622-1200	622-1201	622-1230	622-1241	12	19.74 (.777)	12.70 (.500)	3.80 (.150)
636-1400	636-1401	636-1430	636-1441	14	22.28 (.877)	15.24 (.600)	3.80 (.150)
636-1600	636-1601	636-1630	636-1641	16	24.81 (.977)	17.78 (.700)	3.80 (.150)
636-2000	636-2001	636-2030	636-2041	20	29.90 (1.177)	22.86 (.900)	3.80 (.150)
636-2400	636-2401	636-2430	636-2441	24	34.96 (1.377)	27.94 (1.100)	3.80 (.150)
636-2600	636-2601	636-2630	636-2641	26	37.52 (1.477)	30.48 (1.200)	3.80 (.150)
636-3000	636-3001	636-3030	636-3041	30	42.40 (1.677)	35.56 (1.400)	3.80 (.150)
636-3400	636-3401	636-3430	636-3441	34	47.68 (1.877)	40.64 (1.600)	3.80 (.150)
636-4000	636-4001	636-4030	636-4041	40	55.30 (2.177)	48.26 (1.900)	3.80 (.150)
636-5000	636-5001	636-5030	636-5041	50	68.00 (2.677)	60.95 (2.400)	3.80 (.150)
636-6000	636-6001	636-6030	636-6041	60	80.70 (3.177)	73.66 (2.900)	3.80 (.150)
636-6400	636-6401	636-6430	636-6441	64	85.78 (3.377)	78.74 (3.100)	3.80 (.150)

FEMALE SOCKET CONNECTOR WITH "DAISY CHAIN" STRAIN RELIEF

.100" x .100" CENTERS



LR92984 E60980

PHYSICAL PROPERTIES

INSULATION MATERIAL: Glass filled thermoplastic rated UL 94V-0

COLOR: Blue

CONTACT MATERIAL: Beryllium copper: 30μ inches minimum gold over 50μ inches nickel in contact zone; tin-lead over nickel in termination area

ELECTRICAL PROPERTIES

CURRENT RATING: 1 Amp

INSULATION RESISTANCE: >1 x 10⁹ Ohms @ 500 VDC

DIELECTRIC STRENGTH: >1000 VRMS @ sea level

ENVIRONMENTAL PROPERTIES

TEMPERATURE RATING: -55°C TO 125°C

CABLE REQUIREMENTS

See Pages 108-120

MATING CONNECTORS

HEADERS: See pages 24-42

MALE IDC: See pages 45-47

ACCESSORIES

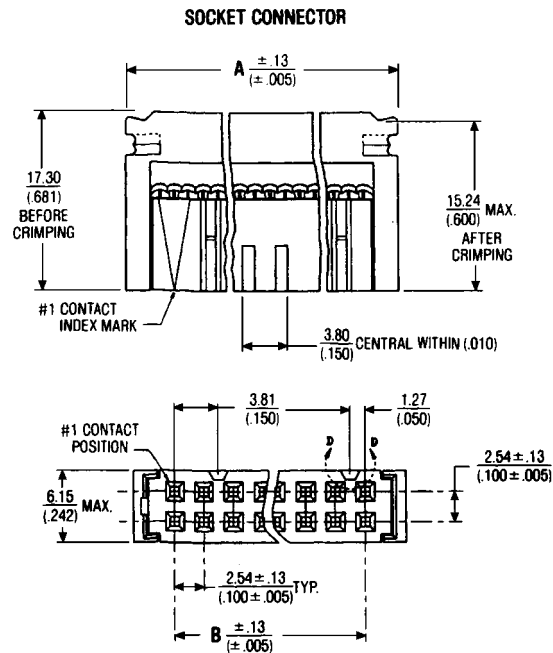
POLARIZING KEY: See page 14

APPLICATION TOOLING

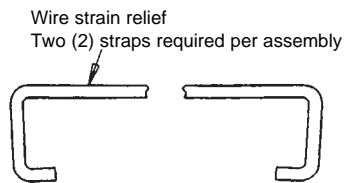
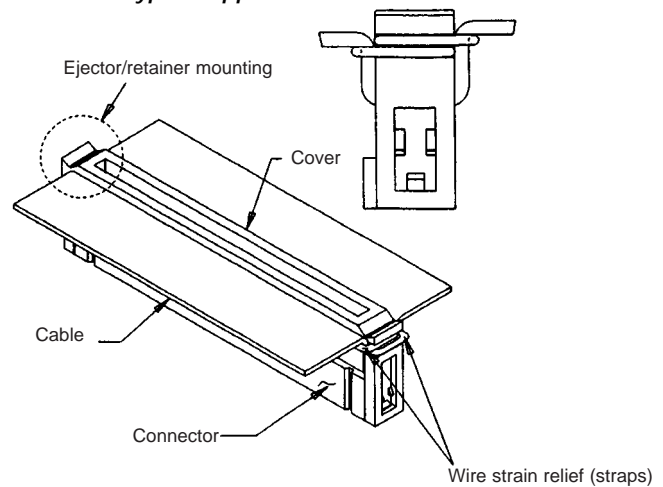
HAND TOOL: 779-2100
use Die 779-2151

BENCH PRESS (MANUAL): 779-3200
use Platen 779-3130
use Base Plate 779-3151

BENCH PRESS (PNEUMATIC): 779-3500XT
use Platen 779-3130
use Base Plate 779-3151



Typical Application



Ordering Information

CATALOG NUMBERS			DIMENSIONS IN MM (INCHES)	
SOCKET CONN.	POLARIZED SOCKET CONN.	NO. OF POS.	A	B
622-4000DS	622-4030DS	40	55.40 (2.181)	48.26 (1.900)
622-5000DS	622-5030DS	50	68.10 (2.681)	60.95 (2.400)
622-6000DS	622-6030DS	60	80.80 (3.181)	73.66 (2.900)

