

FINE PITCH FEMALE SOCKET CONNECTORS

.050" x .100" CENTERS



PHYSICAL PROPERTIES

INSULATION MATERIAL: Glass reinforced thermoplastic, rated UL 94V-0
 COLOR: Black
 CONTACT MATERIAL: Beryllium copper with 30μ inches min. gold over 50μ inches min. nickel plating.

ELECTRICAL PROPERTIES

CURRENT RATING: 1 Amp
 INSULATION RESISTANCE: > 1 x 10⁹ Ohms
 DIELECTRIC STRENGTH: > 1000 VDC (Sea Level)

ENVIRONMENTAL PROPERTIES

TEMPERATURE RATING: -55° C to 125° C

CABLE REQUIREMENTS

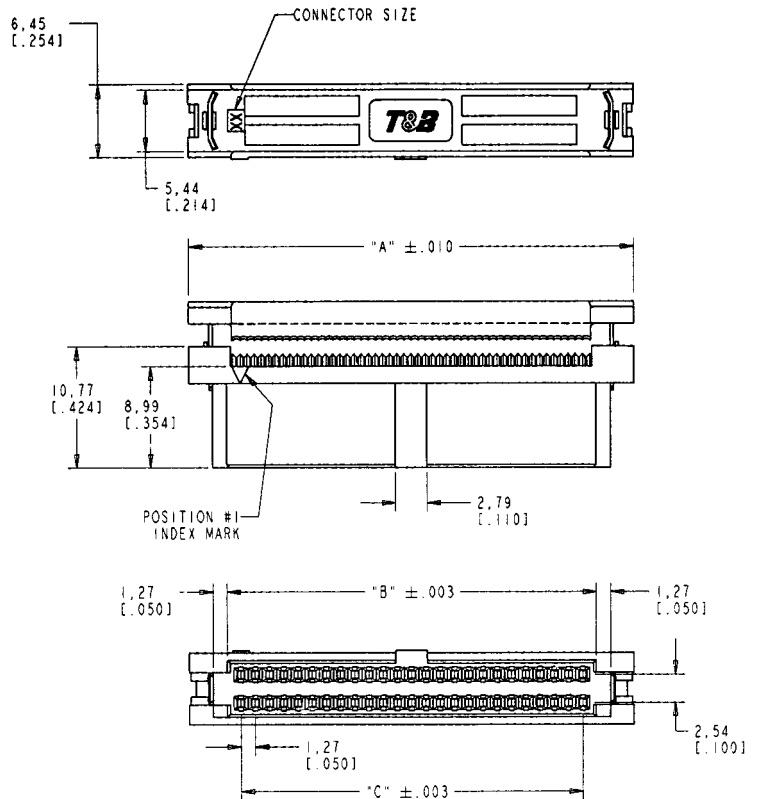
See Pages 97-104. Use with 0.025 flat ribbon cable.

MATING CONNECTORS

HEADERS: See pages 16-23

APPLICATION TOOLING

HAND TOOL: 779-2100
 use Die 779-3112151
BENCH PRESS (MANUAL): 779-3200
 use Platen 779-3130
 use Base Plate 779-3113151
BENCH PRESS (PNEUMATIC): 779-3500XT
 use Platen 779-3130
 use Base Plate 779-3113151



Ordering Information

CATALOG NUMBER	NO. OF POS.	DIMENSIONS IN MM (INCHES)		
		A	B	C
311-020302	20	19.35 (.762)	13.82 (.544)	11.43 (.450)
311-026302	26	23.16 (.912)	17.63 (.694)	15.24 (.600)
311-030302	30	25.70 (1.012)	20.17 (.794)	17.78 (.700)
311-034302	34	28.24 (1.112)	22.71 (.894)	20.32 (.800)
311-040302	40	32.05 (1.262)	26.52 (1.044)	24.13 (.950)
311-050302	50	38.40 (1.512)	32.87 (1.294)	30.48 (1.200)
311-068302	68	49.83 (1.962)	44.30 (1.744)	41.91 (1.650)
311-080302	80	57.45 (2.262)	51.92 (2.044)	49.53 (1.950)
311-100302	100	70.15 (2.762)	64.62 (2.544)	62.23 (2.450)

