

**PRODUCT DESCRIPTION**

Screw sets and mounting accessories are available for all Thomas & Betts "D" Connectors, facilitating any type of installation (e.g. front panel mounting coupling, combination of Thomas & Betts "D" Connectors and standard "D" connectors employing other connection techniques).

**609-001**

Screwlock Assembly

- locks a plastic or metal shell "D" connector to another rear panel mounted plastic or metal shell "D" connector

Panel thickness 3.2 (.13) mm max. Use 779-6211 retaining ring installation tool

**609-002**

Jackscrew Assembly

- locks a plastic or metal shell "D" connector to a jackscrew

Use 779-6210 retaining ring installation tool

**609-003**

Jackscrew Assembly

- locks a plastic or metal shell "D" connector with a jackscrew to any other front panel mounted "D" connector

Panel thickness 5.0 (.196) mm max.

**609-004**

Jackscrew Assembly

- locks plastic "D" connectors with backshells or metal "D" connectors with backshells with a jackscrew assembly to any "D" connector

Use 779-6210 retaining ring installation tool.

**609-005**

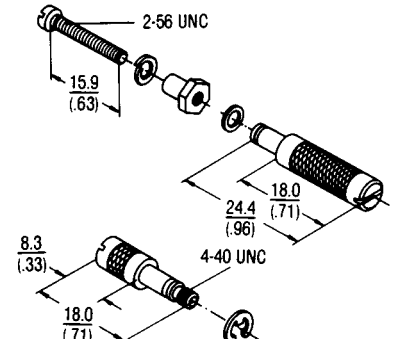
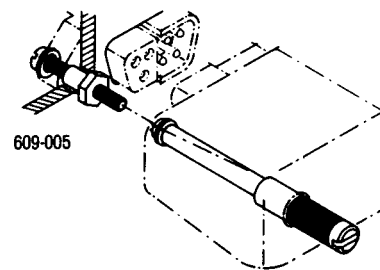
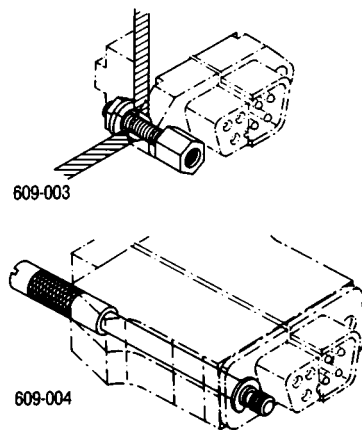
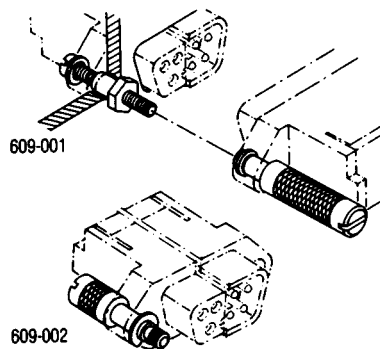
Backshell Screwlock Assembly

- locks plastic "D" connector to another rear panel mounted plastic with "D" connector with backshell

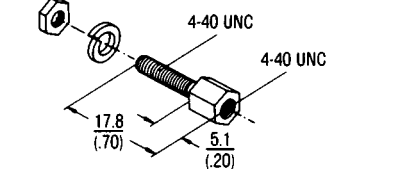
Panel thickness 3.2 (.13) mm max.

Use 779-6211 retaining ring installation tool.

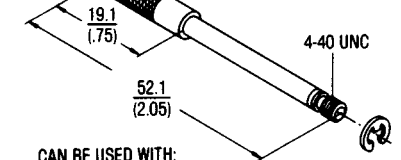
**HARDWARE FOR PLASTIC AND METAL SHELL "D" CONNECTORS, 9-37 POSITION**



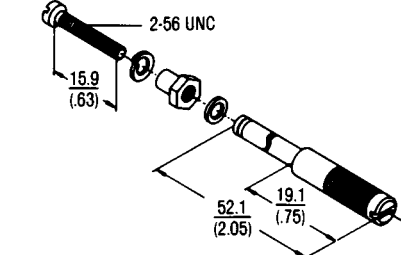
CAN BE USED WITH:  
609-003  
609-006-1  
609-007-1



CAN BE USED WITH:  
609-002  
609-004



CAN BE USED WITH:  
609-003  
609-006-1  
609-007-1



## 609-006-1

Jacksocket Assembly

- for plastic "D" connector and metal (622) "D" connector
- connects rear panel mounted "D" connector through jackscrew assembly to any "D" connector

Panel thickness 1.6 (.06) mm max.

## 609-007-1

Jacksocket Assembly

- similar to 609-003, but for panel thickness 2.4 (.09) to 3.2 (.13) mm max.

## 609-008-50

Slide Lock Post

- locks 50 position "D" connector (with or without rear panel mounting) through slide lock retainer to any 50 position "D" connector

Panel thickness 2.4 (.09) mm max.

## 609-009-50

Jacksocket Assembly

- locks rear panel mounted 50 position "D" connector through a jackscrew assembly to discrete wire 50 position "D" connector

Panel thickness 1.6 (.06) mm max.

## 609-50 BL

Bail Lock Assembly

- locks rear panel mounted 50 position "D" connector through backshell with bail mount ears for bail lock assembly 622-050XXX to any 50 position "D" connector

Panel thickness 1.6 (.06) mm max.

## 609-50 SL

Slide Lock Retainer

- locks 50 position "D" connector through slide lock post to any 50 position "D" connector with or without rear panel mounting.

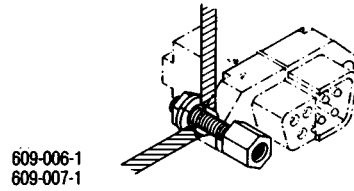
## 609-002

Jackscrew Assembly

- retains 50 position "D" connectors with backshell for IPI-compatible interfaces through jacksocket assembly.

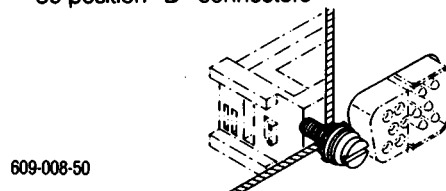
Use 779-6210 retaining ring installation tool.

## HARDWARE FOR PLASTIC AND METAL SHELL "D" CONNECTORS 50 POSITION

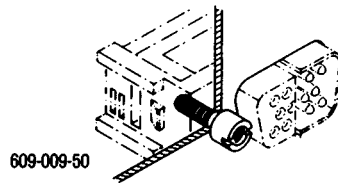


609-006-1  
609-007-1

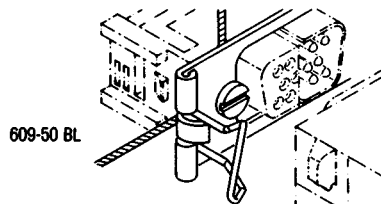
Application for  
50 position "D" connectors



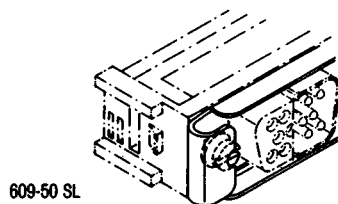
609-008-50



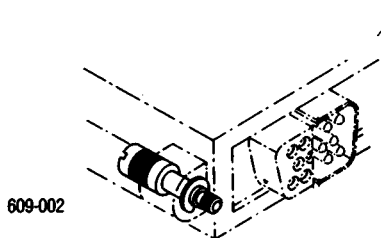
609-009-50



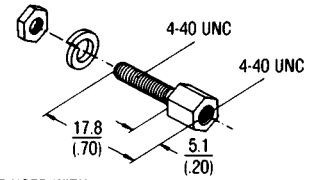
609-50 BL



609-50 SL

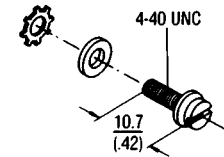


609-002

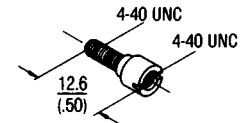


CAN BE USED WITH:  
609-002  
609-004

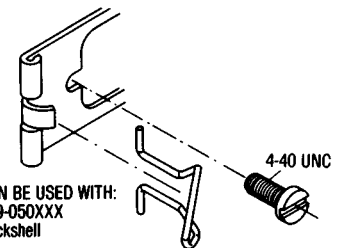
609-006-1 1.3 (.05)  
609-007-1 2.2 (.09)



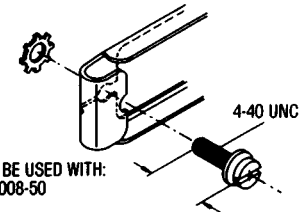
CAN BE USED WITH:  
609-50SL



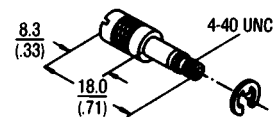
CAN BE USED WITH:  
4-40 UNC  
Jackscrews



CAN BE USED WITH:  
609-050XXX  
Backshell



CAN BE USED WITH:  
609-008-50



CAN BE USED WITH:  
609-006-1  
609-007-1



LR92984 E60980

**BACKSHELLS FOR  
PLASTIC SHELL "D"  
CONNECTORS 9-50  
POSITIONS**



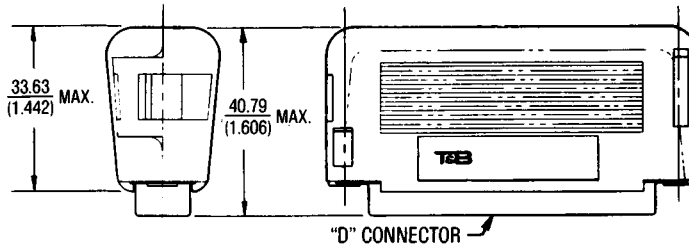
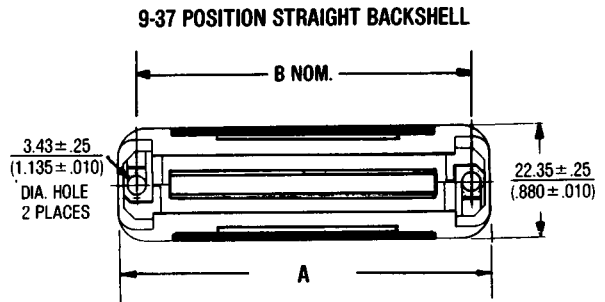
LR92984 E60980

**PHYSICAL PROPERTIES**

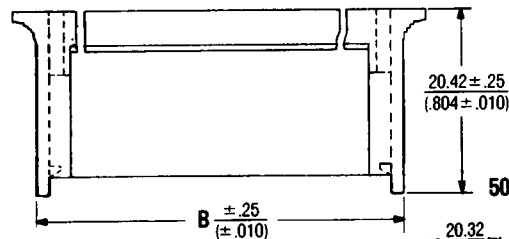
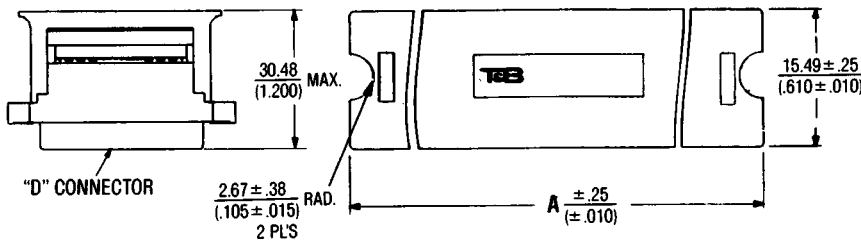
INSULATION MATERIAL: Glass filled thermoplastic,  
rated UL 94V-0  
COLOR: Blue

**ENVIRONMENTAL PROPERTIES**

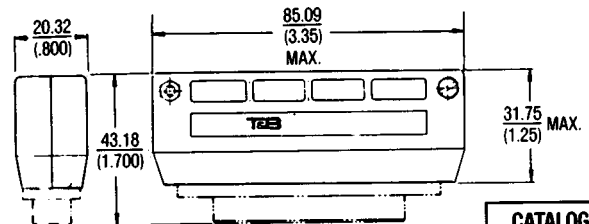
TEMPERATURE RATING: -55°C to 125°C



**9-37 POSITION RIGHT ANGLE BACKSHELL**



**50 POSITION STRAIGHT BACKSHELL**



BACKSHELL WILL ACCOMMODATE PIN OR  
SOCKET CONNECTOR WITH OR WITHOUT STRAIN  
RELIEF



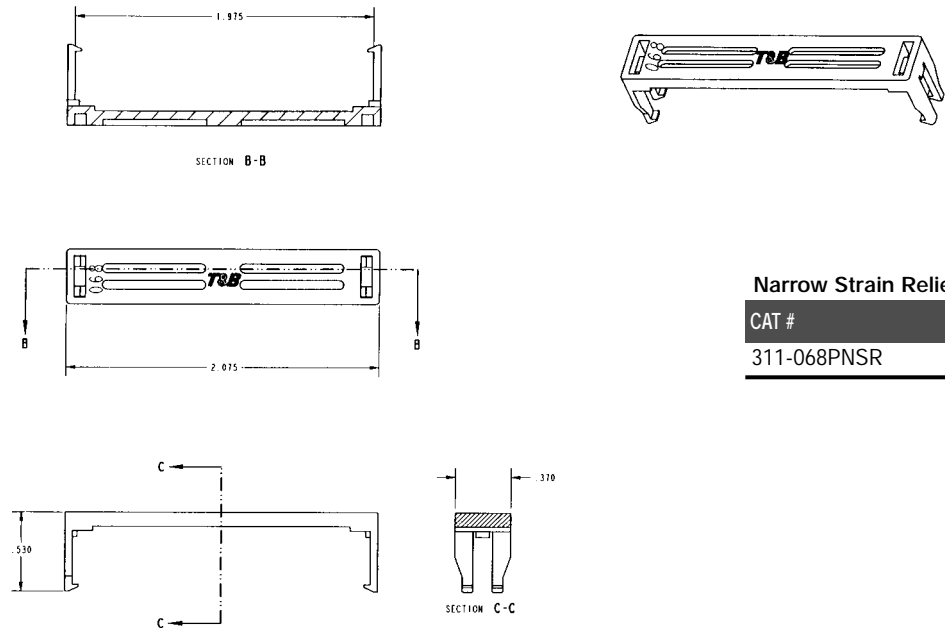
**CATALOG  
NUMBER  
50 POS.  
609-05Q D**

**Ordering Information**

CATALOG NUMBERS		NO. OF POS	DIMENSIONS IN MM (INCHES)		USED WITH
STRAIGHT	RIGHT ANGLE		A	B	
609-09BS	609-09RBS	9	34.09 (1.342)	24.94 (.982)	609-9P/9S
609-015BS	609-015RBS	15	42.42 (1.670)	33.27 (1.310)	609-15P/15S
609-025BS	609-025RBS	25	55.45 (2.183)	47.04 (1.852)	609-25P/25S
609-037BS	609-037RBS	37	71.91 (2.831)	63.50 (2.500)	609-37P/37S

**STRAIN RELIEF  
FOR IDC FINE PITCH  
D-SUBMINIATURE**

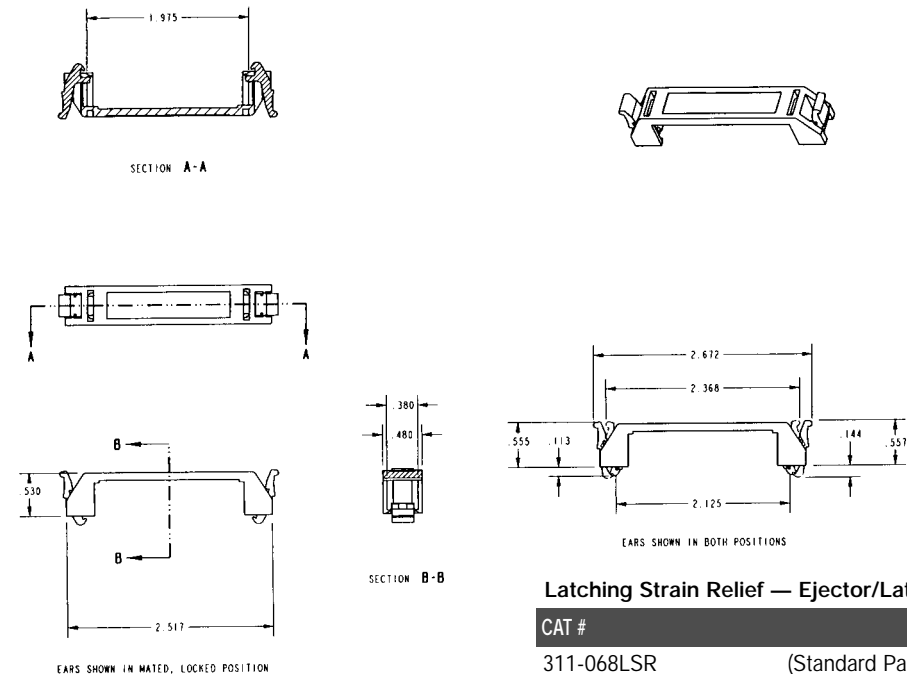
The overall width of this S/R is no wider than the male plug. Also the tips of the legs have been further narrowed. This allows for T&B's NSR to be used in applications where low profile SCSI receptacles are in use, while maintaining sufficient retention to prevent stress on the flat cable and IDC contacts. Although this S/R is not required when mating to T&B product, it is designed to allow T&B male plugs to mate with R/A SCSI product in 'tight' applications. For use only with mating connector style C (cannot mate with a receptacle with latches [rails or without rails]).



**Narrow Strain Relief**

CAT #  
311-068PNSR

This Latching S/R uses T&B's standard style S/R, hence you get good support on all four sides of the connector. The addition of the self-locking ejector/latches allow the male plug (S/R and SCSI Plug) assembly to latch onto the mating receptacle. The downward pressure activates the latches and pulls them into their 'locked position'. To release the two components, simply squeeze the two latches together. This action not only releases the 'lock', but also 'kicks-off' the male from the receptacle (which is typically very difficult for technicians and assemblers to unmate). Note: When using this S/R, the mating receptacle must have latches (either the N or J styles).

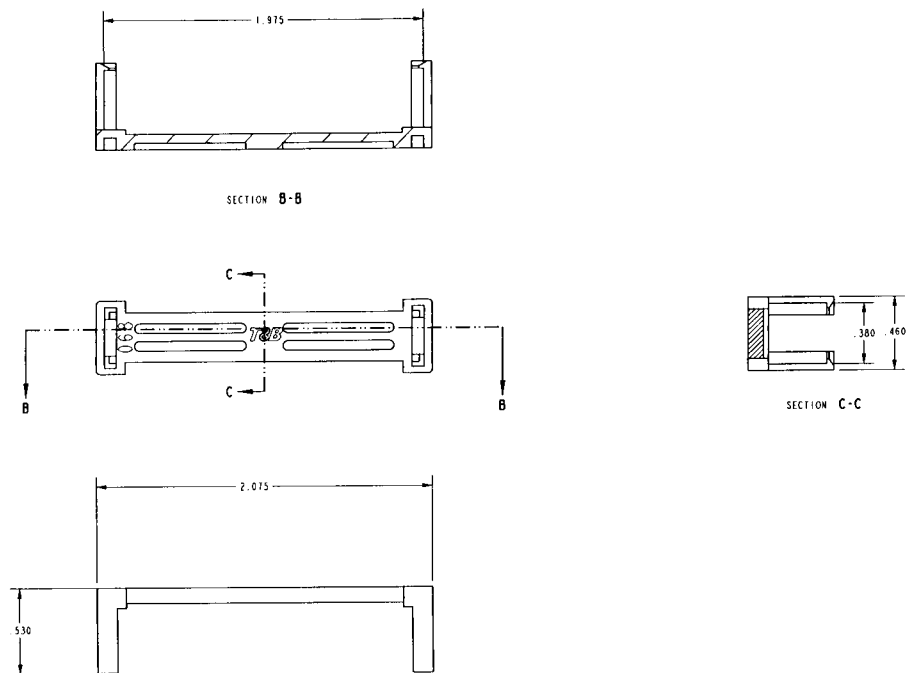


**Latching Strain Relief — Ejector/Latches**

CAT #  
311-068LSR (Standard Packed)  
311-068LSRB (Bulk Packed)

**STRAIN RELIEF  
FOR IDC FINE PITCH  
D-SUBMINIATURE**

T&B's standard strain relief is a general purpose or general market product. There are eight total points of contact (two on each of the four sides), resulting in a very robust design. Note: This S/R can be used with all three styles of mating SCSI receptacles (C, J, or N styles).



**Standard Strain Relief**

CAT #

311-068PSR