

**PRODUCT DESCRIPTION**

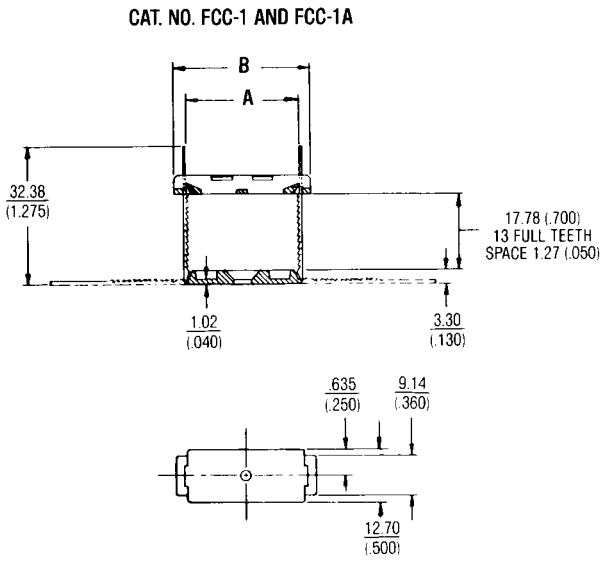
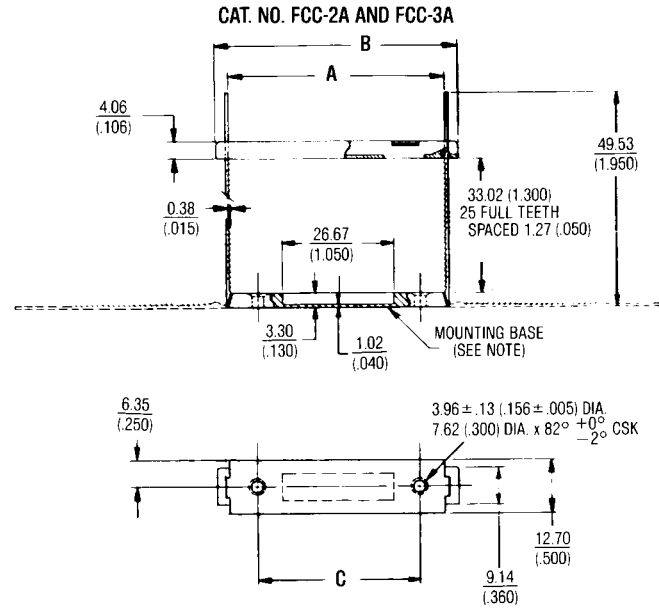
Flat cable clamps facilitate bundling, clamping or mounting flat cable, both inside and outside of cabinets.

Available with screw mount or adhesive bases, these tough nylon clamps are easy to release and adjust in applications where cables are added or removed

**CABLE CLAMPS**

- Available with screw mounting bases or adhesive mounting bases to accommodate cable widths of less than one inch to a maximum of three inches.
- Made of tough, durable nylon
- Installed by simply sliding upper clamp through tails of lower clamp and pressing together, then folding excess tails into detents of upper clamps.
- Self-locking Flat Cable Clamps are ideal for low profile bundling, clamping or mounting of all types of flat cable in both intra-cabinet and out-of-cabinet installations. Made of tough nylon, these durable clamps are designed to be released and adjusted in applications where cables are added or removed.

# FLAT CABLE CLAMPS



**Ordering Information**

CATALOG NUMBER	DIMENSIONS IN MM (INCHES)			CABLE SIZE (MAX)	
	MAX CABLE WIDTH A	B	C	WIDTH	HEIGHT
FCC-1	25.4 (1.000)	32.51 (1.280)	-	25 (1.000)	10 (.400)
FCC-2	50.8 (2.000)	57.91 (2.280)	39.12 (1.540)	51 (2.000)	25 (1.000)
FCC-3	76.2 (3.000)	83.31 (3.280)	64.52 (2.540)	76 (3.000)	25 (1.000)
FCC-1A	25.4 (1.000)	32.51 (1.280)	-	25 (1.000)	10 (.400)
FCC-2A	50.8 (2.000)	57.91 (2.280)	39.12 (1.540)	51 (2.000)	25 (1.000)
FCC-3A	76.2 (3.000)	83.31 (3.280)	64.52 (2.540)	76 (3.000)	25 (1.000)

NOTE: Suffix "A" indicates adhesive backing