

METAL SHELL RIGHT ANGLE FEMALE RECEPTACLES

LOW COST GOLD FLASH



PHYSICAL PROPERTIES

INSULATION MATERIAL: Glass filled thermoplastic rated UL 94V-0
 COLOR: Black
 CONTACTS: High strength copper alloy
 METAL SHELL: Steel, bright tin plate
 DURABILITY: Up to 50 insertions and withdrawals without degradation of performance, dependent upon contact plating thickness selected

ELECTRICAL PROPERTIES

OPERATING VOLTAGE: 600 VDC (sea level)
 CURRENT RATING: 5 Amperes
 CONTACT RESISTANCE: 10 milliohms max. @ rated current
 INSULATION RESISTANCE: 5000 megohms minimum
 DIELECTRIC WITHSTANDING VOLTAGE: 1000 VAC minimum

ENVIRONMENTAL PROPERTIES

TEMPERATURE RATING: -55°C TO 125°C

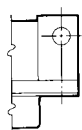
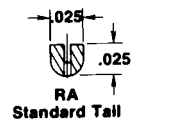
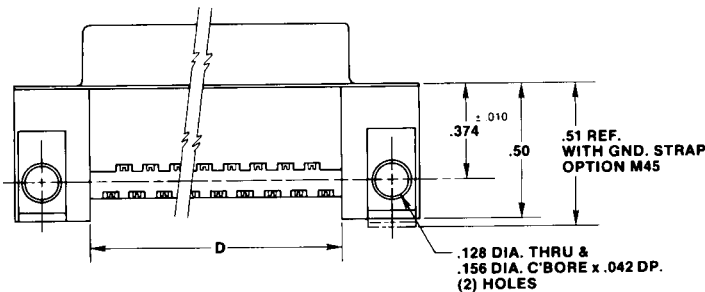
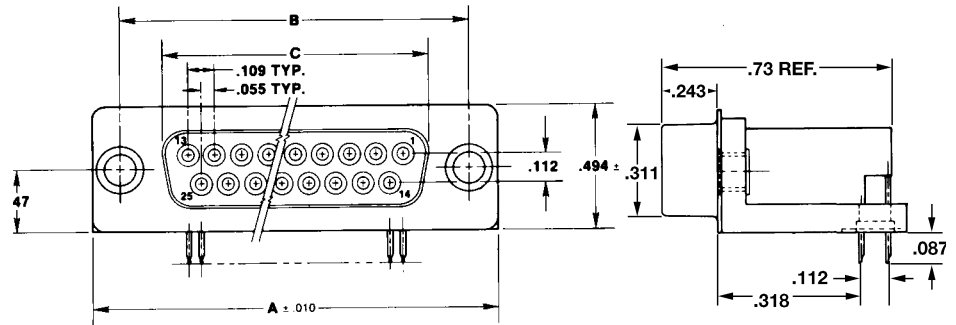
MOUNTING HARDWARE

Passivated stainless steel

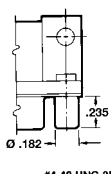
PART NUMBER: 187500110002

Included In Assembly: (2) #4 Flat Washers
 (1) #4 Lock Washers
 (1) #4-40 Nut

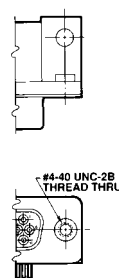
Connector Sold Separately



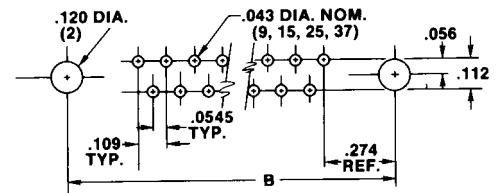
MOUNTING STYLE A
FLUSH



MOUNTING STYLE B
THREADED STANDOFF



MOUNTING STYLE C
FLUSH INSERT



PC BOARD HOLE PATTERN

Ordering Information

NUMBER OF CONTACTS	BASIC CONNECTOR W/THRU HOLES	CATALOG NUMBER BY MOUNTING STYLE		DIMENSIONS			
		ROUND STANDOFF 4-40 THREAD	FLUSH INSERT 4-40 THREAD	A	B	C	D
9	H5R09RA24A*	H5R09RA24B*	H5R09RA24C*	1.224	.984	.646	.624
15	H5R15RA24A*	H5R15RA24B*	H5R15RA24C*	1.552	1.312	.974	.952
25	H5R25RA24A*	H5R25RA24B*	H5R25RA24C*	2.092	1.852	1.514	1.492
37	H5R37RA24A*	H5R37RA24B*	H5R37RA24C*	2.740	2.500	2.162	2.140

*Insert S for metal PC board snap latches and P for plastic PC board latches.

Specifications subject to change.

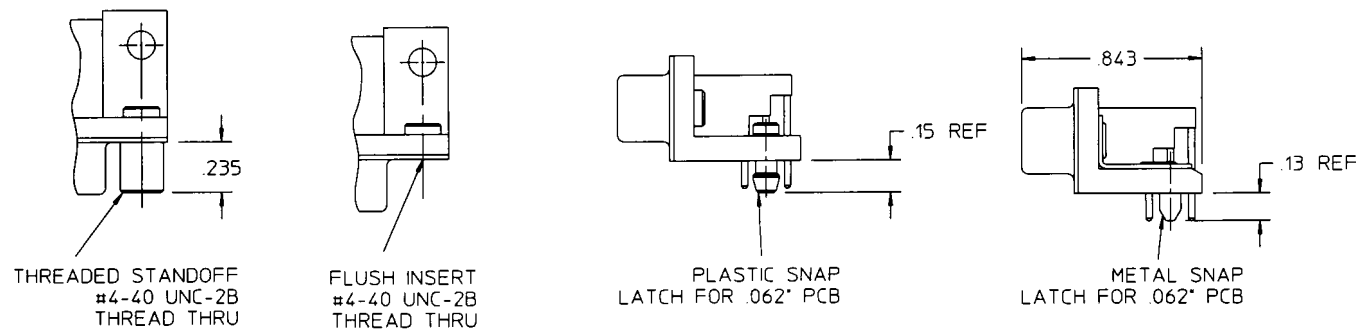
DESCRIPTION/APPLICATION

Thomas & Betts Holmberg® High Density D-Subminiature Connectors are compatible with industry standards including the VESA-Display Data Channel (DDC) standard.

DESIGN ADVANTAGES

- Available in 26 and 15 contact sizes. Size 15 VESA-VGA option has contact #9 recessed .050" to provide 5 volt sequential mating allowing "plug & play" capability.
- Available in all the standard Holmberg® D-Sub mounting configurations. These include fixed stand-offs, threaded inserts and PC board snaps for grounding and ease of installation.
- Flexible plating options to fit various budgets and performance needs.

HIGH DENSITY D-SUBMINIATURE CONNECTORS RIGHT ANGLE, P.C. BOARD MOUNT



Optional Mounting Styles

PC Board Snap Latches



