

**DESCRIPTION/APPLICATION**

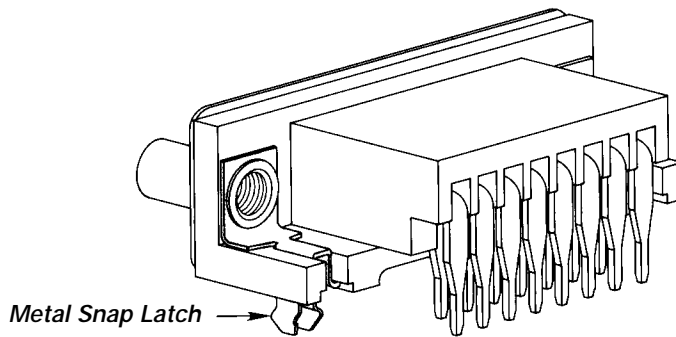
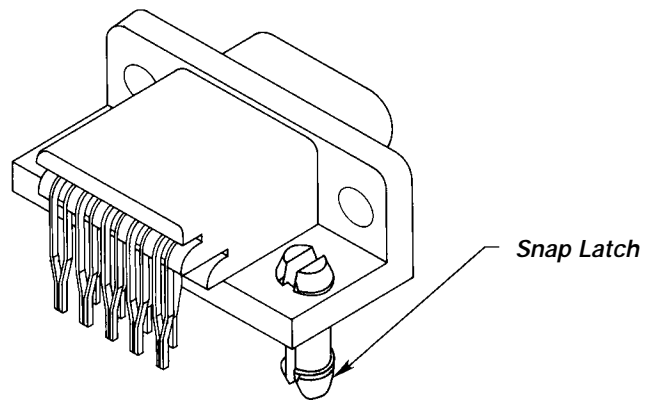
Holmberg® snap latches, both plastic and metal, hold connectors securely in place before and during solder process and eliminates the need for board mounting hardware, plus, facilitates robotic assembly. These latches can be used with any Holmberg® right angle D-Subminiature connector.

Both latches withstand the normal wave solder process.

The metal latch can be used to establish ground, requires lower insertion force into board and has a higher retention force.

# SNAP LATCHES FOR HOLMBERG® RIGHT ANGLE D-SUB CONNECTORS

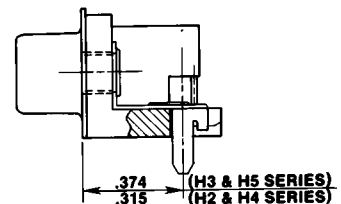
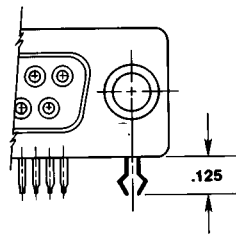
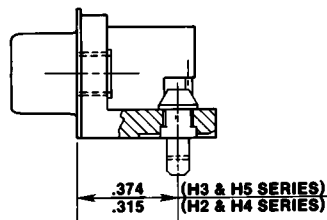
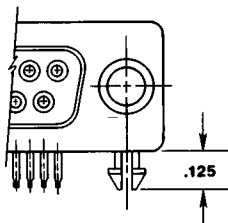
*Low Cost  
Plastic Latch*



*Tin plated  
Copper-Nickel-Tin  
Alloy Metal Latch*

**“P” DESIGNATION** — Plastic snap latch.

**“S” DESIGNATION** — Metal snap latch.



LR49571 E60980





