

DESCRIPTION/APPLICATION

The Thomas & Betts Fine Pitch D-Connector is ideally suited for such applications as laptop and compact desktop computers, peripherals, and other new generation equipment where space and weight are at a premium, and high performance is required.

DESIGN ADVANTAGES

- Complies with the latest industry standards:
 - SCSI-2, with 50 pin and 68 pin Fine Pitch D-Connectors.
 - SCSI-3, with 50 pin and 68 pin Fine Pitch D-Connectors.
 - IPI-2, with 50 pin and 100 pin Fine Pitch D-Connectors.
 - RS232-E, with 26 pin Fine Pitch D-Connectors.
- Dual opposing beam female contacts provide minimum 100 grams normal force per beam with 150K PSI Hertz stress for maximum reliability.
- High temperature plastic housing is compatible with reflow soldering techniques.
- Tin plated steel shell withstands reflow soldering processes.
- All-plastic housing allows freedom to route surface tracks on PCB without short circuiting.
- Shrouded housing provides a robotic pickup surface which also provides superior electrical and mechanical protection for solder tails.
- PC Board mounting options include grounding strap with #2-56 threaded insert or grounding snap-latch for retention during soldering process.
- A full range of mounting and grounding options allows greater design flexibility.

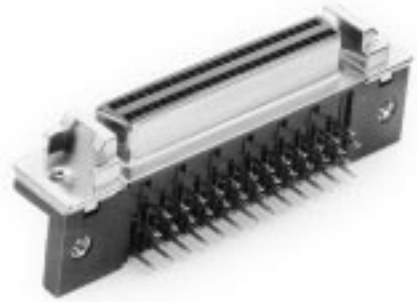
SCSI FINE PITCH "D" CONNECTORS



***For Applications Where Space And Weight
Are At A Premium***



FINE PITCH "D" CONNECTOR RIGHT ANGLE RECEPTACLE



PHYSICAL PROPERTIES

INSULATION MATERIAL: Glass reinforced thermoplastic rated UL 94V-0
COLOR: Black
CONTACTS: High strength copper alloy
CONTACT PLATING: 50 microinches nickel underplate with 30 microinches gold in the mating area, 100 microinch minimum tin/lead on tails
LATCH BLOCK MATERIAL: Nickel plated zinc alloy
METAL SHELL MATERIAL: Tin plated steel
SNAP LATCH MATERIAL: High strength copper alloy

ELECTRICAL PROPERTIES

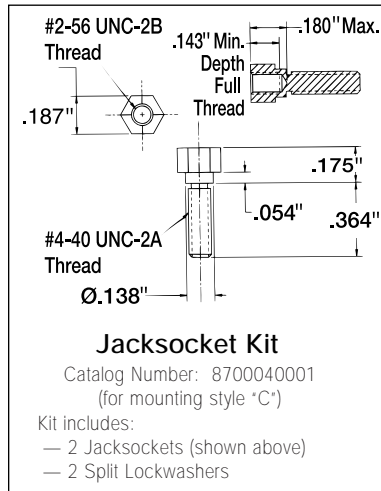
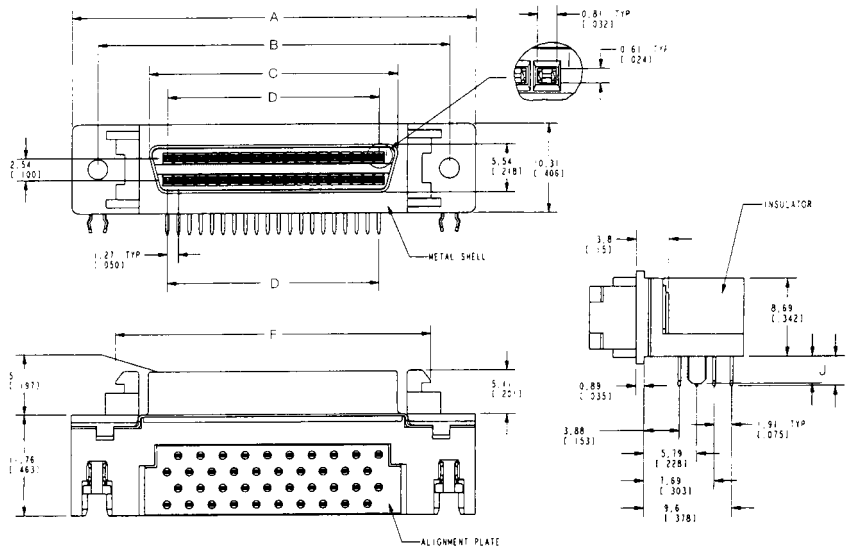
CURRENT RATING: 1 Amp
INSULATION RESISTANCE: >1000 Megohms
DIELECTRIC STRENGTH: >1000 VDC (Sea Level)

ENVIRONMENTAL PROPERTIES

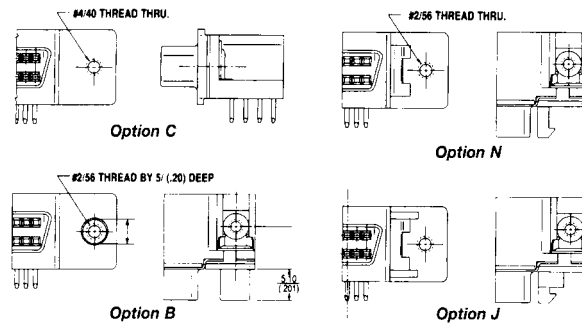
TEMPERATURE RATING: -55 C to 125 C

MOUNTING HARDWARE

FEMALE JACKSOCKET: 8700040001 (For mounting style C)



Panel Mounting Options



Panel Cut-Outs

POS.	DIMENSIONS	
	G	H
26	29.8 (1.175)	27.6 (1.085)
40	38.7 (1.525)	36.5 (1.435)
50	45.1 (1.775)	42.8 (1.685)
68	56.5 (2.225)	54.2 (2.135)
80	64.1 (2.525)	61.8 (2.435)
100	76.8 (3.025)	74.5 (2.935)
120	89.5 (3.525)	87.2 (3.435)

Recommended Panel Cut-Outs

