

**CARDEDGE
POLARIZATION KEYS**

DESCRIPTION/APPLICATION

Thomas & Betts Corporation can provide two polarization keys in the basic configuration shown on this page. Our Modified Bellows and Cantilever Beam Series Cardedge Connectors use these keys. The part number of each key and the connector series for which it was designed are listed in the table below.

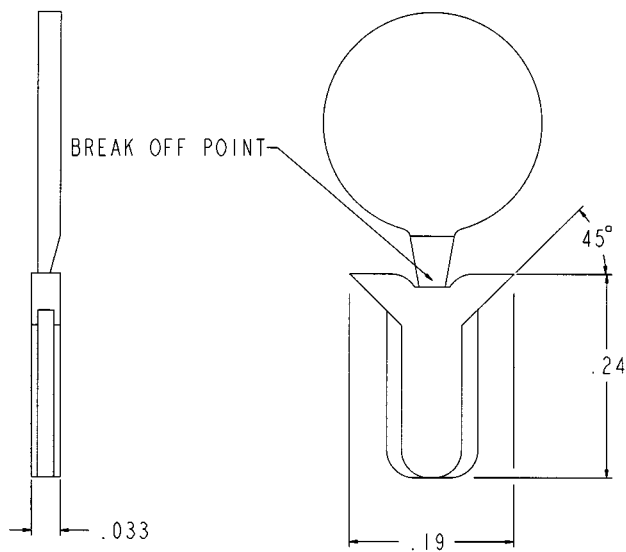


Figure 1

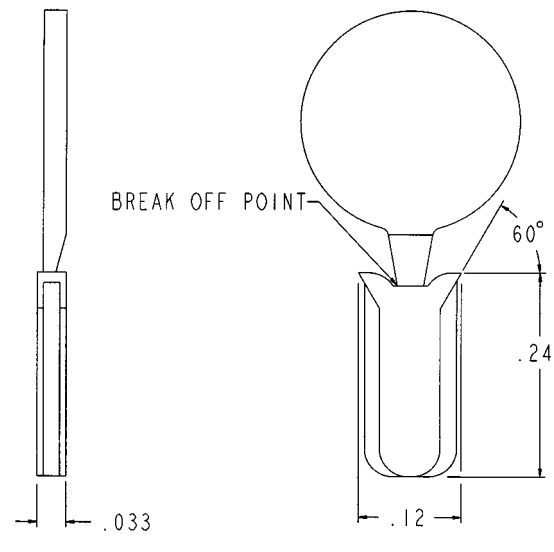


Figure 2

Ordering Information

PART NUMBER	SEE FIGURE	USED ON CONNECTOR SERIES	SHOWN ON PAGES
98014-01	1	Modified Bellows	359-372
98014-00	2	Cantilever & Full Scoop	374-397