

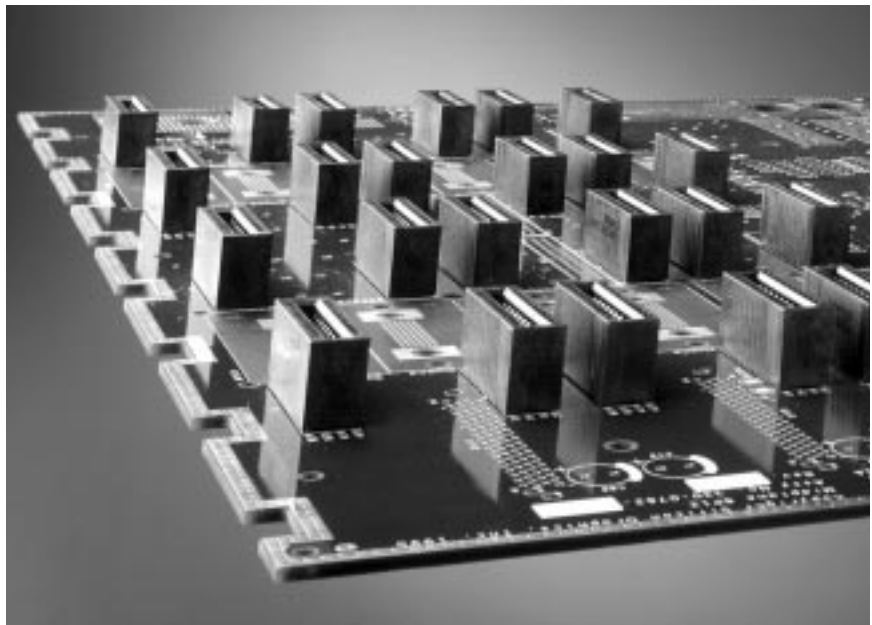
**DESCRIPTION/APPLICATION**

Thomas & Betts Press-fit connectors allow for easy conversion from dip solder to press fit termination into backplanes without any board redesign. Thomas & Betts compliant pin connectors meet or exceed requirements of all industry standards, including Bellcore specifications, which address critical performance issues such as hole retention, hole deformation and environmental performance.

**DESIGN ADVANTAGES**

- Does not involve any board redesign.
- Our full line of hand tools allow pins to be repaired from the front or rear of the connector.
- Unique pin geometry allows for even distribution of forces reducing axial pin rotation and preserving perpendicularity to the PCB board.
- Edge and side coining provides a uniform pin radius ensuring maximum contact without "skiving" the plated hole.
- Various tail lengths provide design flexibility with the ability to connect on both sides of the motherboard.
- Solderless technology reduces environmental waste involved in heavy metal solder processes.

## PRESS-FIT CARDEDGE



## .050" CENTER-TO-CENTER FOR .093" THICK DAUGHTER CARDS



### PHYSICAL PROPERTIES

INSULATION RESISTANCE: 1000 megohms minimum  
 MOTHERBOARD CONTACT RETENTION: 2lbs. min. per contact  
 DAUGHTER CARD INSERTION FORCE: 6 oz. max. per contact pair  
 MATING FORCE: 2 oz. per contact  
 INSULATOR BODY: High Temp. Glass filled thermoplastic, UL rating 94V-0  
 COLOR: Black  
 SPRING CONTACT: High strength copper alloy  
 CONTACT PLATING: Gold flash over paladium nickel

### ELECTRICAL PROPERTIES

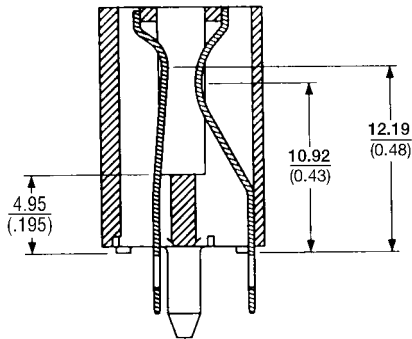
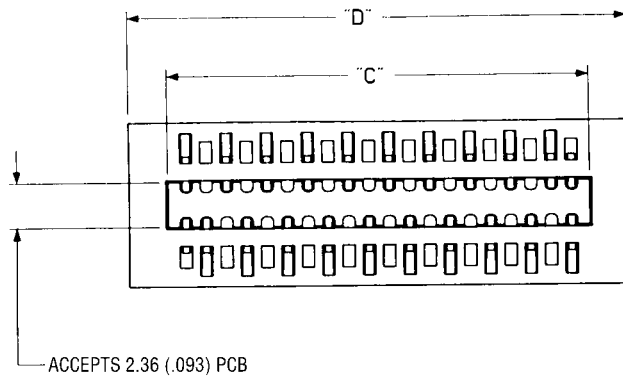
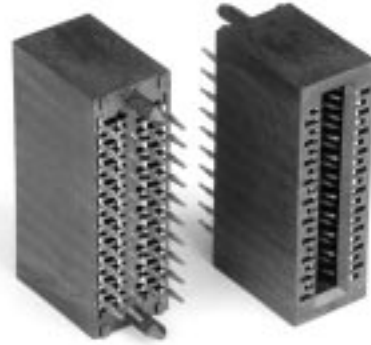
OPERATING VOLTAGE: 600 VDC (sea level)  
 CURRENT RATING: 1.0 Ampere  
 CONTACT RESISTANCE: 30 milliohms max.

### ENVIRONMENTAL PROPERTIES

OPERATING TEMPERATURE: -55°C to +125°C  
 TEMPERATURE LIFE: EIA QS-364-32B  
 VIBRATION: EIA RS-364-17A

### APPLICATION TOOLING

INSERTION TOOL: Cat. # 1605005, see page 357



SECTION X-X

