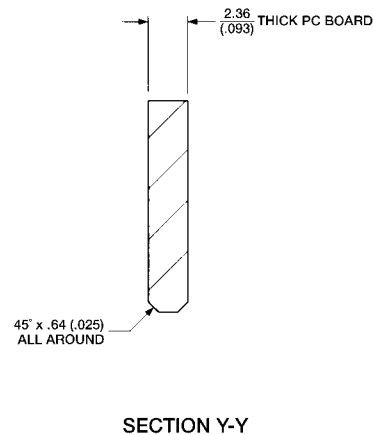
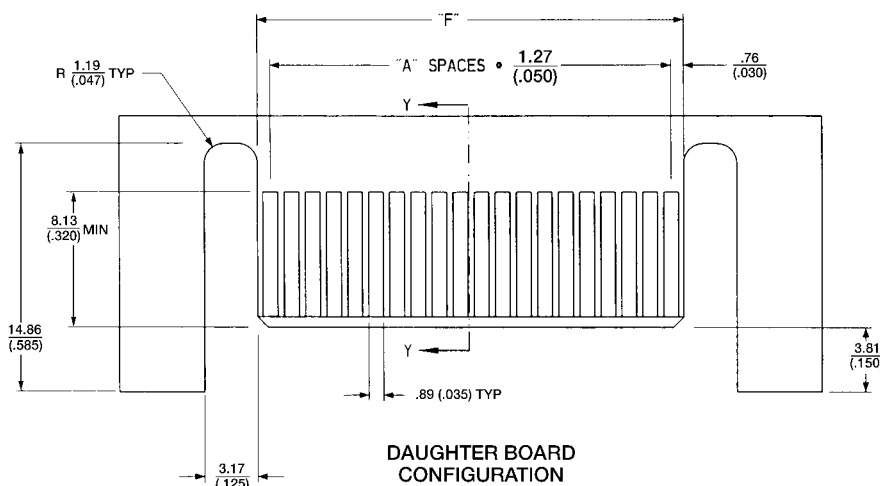
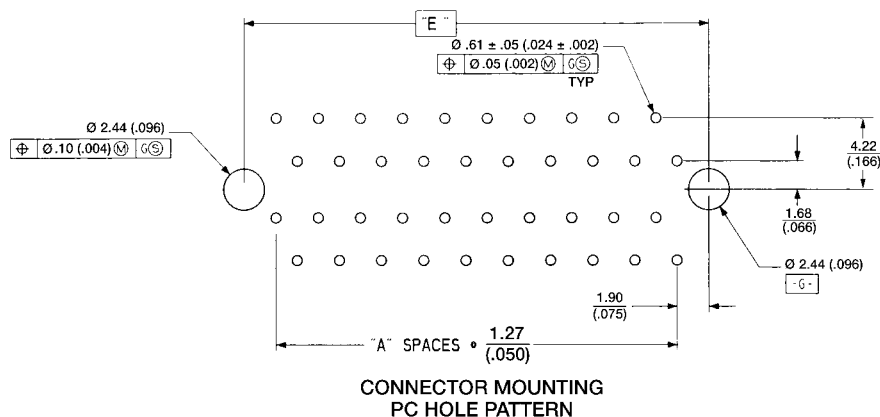


## ORDERING INFORMATION -

### .050" CENTER-TO-CENTER

# OF DUAL READOUT POS.	CATALOG NUMBER	DIMENSIONS					
		A	B	C	D	E	F
20	C9D020PF60048	19	24.13 (0.950)	26.41 (1.040)	31.24 (1.230)	27.94 (1.100)	25.65 (1.010)
30	C9D030PF60048	29	36.83 (1.450)	39.11 (1.540)	43.94 (1.730)	40.63 (1.600)	38.35 (1.510)
40	C9D040PF60048	39	49.52 (1.950)	51.81 (2.040)	56.63 (2.230)	53.33 (2.100)	51.05 (2.010)
50	C9D050PF60048	49	62.22 (2.450)	64.51 (2.540)	69.33 (2.730)	66.03 (2.600)	63.75 (2.510)
60	C9D060PF60048	59	74.92 (2.950)	77.21 (3.040)	82.03 (3.230)	78.73 (3.100)	76.44 (3.010)
70	C9D070PF60048	69	87.62 (3.450)	89.90 (3.540)	94.73 (3.730)	91.43 (3.600)	89.14 (3.510)



**.100" CENTER-TO-CENTER  
.100" ROW-TO-ROW  
WITH STANDOFFS**



**PHYSICAL PROPERTIES**

INSULATION RESISTANCE: 5000 megohms minimum  
 CONTACT RETENTION INTO PCB: 5lbs. min.  
 INSERTION FORCE: 10 oz. max. measured with a .0700 ± .0001 THK polished blade per MIL-C-21097C  
 WITHDRAWAL FORCE: 1 oz. min. measured with a .0540 ± .0001 THK polished test blade per MIL-C-21097C after sizing 3 times with a .0700 ± .0001 THK blade  
 INSULATOR BODY: High Temp. Glass filled thermoplastic, UL rating 94V-0  
 COLOR: Black  
 SPRING CONTACT: Phosphor Bronze alloy  
 CONTACT PLATING: 50 microinches nickel underplate with 30 microinches gold in the mating area, tin/lead on tails, 100 microinches minimum

**ELECTRICAL PROPERTIES**

OPERATING VOLTAGE: 600 VDC (sea level)  
 CURRENT RATING: 3 Amperes  
 INITIAL CONTACT RESISTANCE: 10 milliohms

**ENVIRONMENTAL PROPERTIES**

OPERATING TEMPERATURE: -55°C to +125°C  
 TEMPERATURE CYCLING: MIL-STD-202 method 107  
 VIBRATION: MIL-STD-202, method 204

**APPLICATION TOOLING**

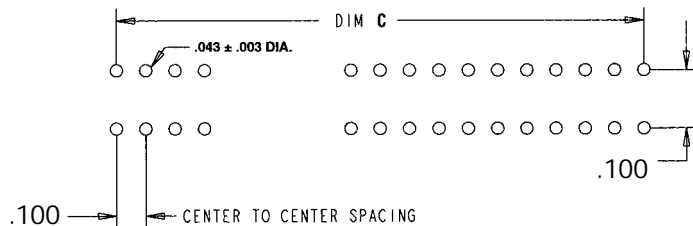
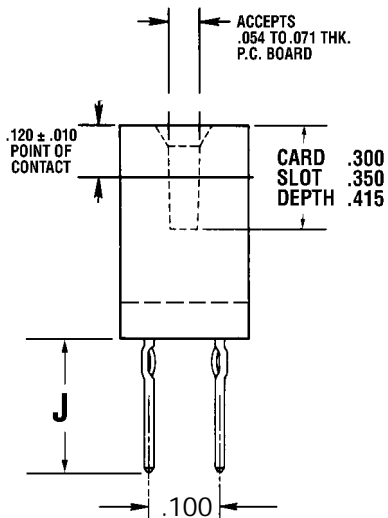
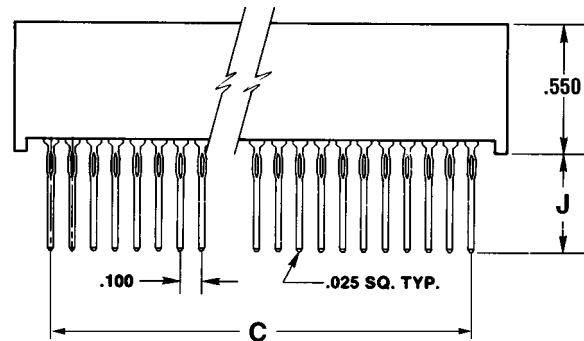
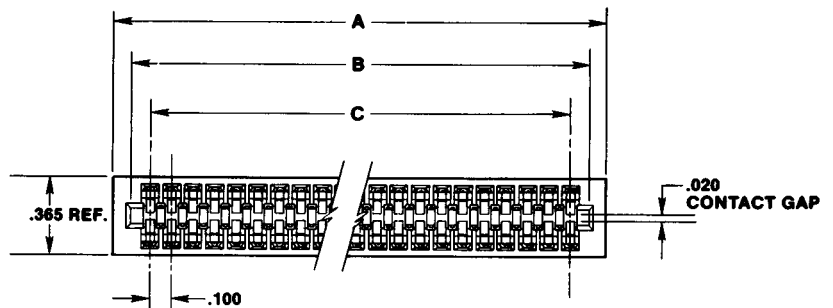
INSERTION TOOL: Cat. # 98236, see page 357

**ACCESSORIES**

POLARIZATION KEY: Cat. # 98014-00, see page 322

**DAUGHTER CARD**

See page 323 for layout



NOTE: When using .625 tail lengths, the opposite side of the PCB can be used as a header for Female Sockets Transition Connectors. (See IDC pages 6-12)  
 Open ends and open/closed ends are available. ( Consult factory).

## ORDERING INFORMATION -

### .100 CENTER-TO-CENTER/.100 ROW-TO-ROW

# OF DUAL READOUT POS.	CATALOG NUMBER			DIMENSIONS		
	.300 CARD SLOT DEPTH	.350 CARD SLOT DEPTH	.415 CARD SLOT DEPTH	A	B	C
<b>TAIL LENGTH .180 (DIM. "J")</b>						
18	C1D18PF29013	C1D18PF29133	C1D18PF29043	2.034	1.904	1.700
20	C1D20PF29013	C1D20PF29133	C1D20PF29043	2.234	2.104	1.900
22	C1D22PF29013	C1D22PF29133	C1D22PF29043	2.434	2.304	2.100
25	C1D25PF29013	C1D25PF29133	C1D25PF29043	2.734	2.604	2.400
28	C1D28PF29013	C1D28PF29133	C1D28PF29043	3.034	2.904	2.700
30	C1D30PF29013	C1D30PF29133	C1D30PF29043	3.234	3.104	2.900
35	C1D35PF29013	C1D35PF29133	C1D35PF29043	3.734	3.604	3.400
36	C1D36PF29013	C1D36PF29133	C1D36PF29043	3.834	3.704	3.500
40	C1D40PF29013	C1D40PF29133	C1D40PF29043	4.234	4.104	3.900
43	C1D43PF29013	C1D43PF29133	C1D43PF29043	4.534	4.404	4.200
45	C1D45PF29013	C1D45PF29133	C1D45PF29043	4.734	4.604	4.400
50	C1D50PF29013	C1D50PF29133	C1D50PF29043	5.234	5.104	4.900
60	C1D60PF29013	C1D60PF29133	C1D60PF29043	6.234	6.104	5.900
<b>TAIL LENGTH .475 (DIM. "J")</b>						
18	C1D18PF29015	C1D18PF29135	C1D18PF29045	2.034	1.904	1.700
20	C1D20PF29015	C1D20PF29135	C1D20PF29045	2.234	2.104	1.900
22	C1D22PF29015	C1D22PF29135	C1D22PF29045	2.434	2.304	2.100
25	C1D25PF29015	C1D25PF29135	C1D25PF29045	2.734	2.604	2.400
28	C1D28PF29015	C1D28PF29135	C1D28PF29045	3.034	2.904	2.700
30	C1D30PF29015	C1D30PF29135	C1D30PF29045	3.234	3.104	2.900
35	C1D35PF29015	C1D35PF29135	C1D35PF29045	3.734	3.604	3.400
36	C1D36PF29015	C1D36PF29135	C1D36PF29045	3.834	3.704	3.500
40	C1D40PF29015	C1D40PF29135	C1D40PF29045	4.234	4.104	3.900
43	C1D43PF29015	C1D43PF29135	C1D43PF29045	4.534	4.404	4.200
45	C1D45PF29015	C1D45PF29135	C1D45PF29045	4.734	4.604	4.400
50	C1D50PF29015	C1D50PF29135	C1D50PF29045	5.234	5.104	4.900
60	C1D60PF29015	C1D60PF29135	C1D60PF29045	6.234	6.104	5.900
<b>TAIL LENGTH .625 (DIM. "J")</b>						
18	C1D18PF29017	C1D18PF29137	C1D18PF29047	2.034	1.904	1.700
20	C1D20PF29017	C1D20PF29137	C1D20PF29047	2.234	2.104	1.900
22	C1D22PF29017	C1D22PF29137	C1D22PF29047	2.434	2.304	2.100
25	C1D25PF29017	C1D25PF29137	C1D25PF29047	2.734	2.604	2.400
28	C1D28PF29017	C1D28PF29137	C1D28PF29047	3.034	2.904	2.700
30	C1D30PF29017	C1D30PF29137	C1D30PF29047	3.234	3.104	2.900
35	C1D35PF29017	C1D35PF29137	C1D35PF29047	3.734	3.604	3.400
36	C1D36PF29017	C1D36PF29137	C1D36PF29047	3.834	3.704	3.500
40	C1D40PF29017	C1D40PF29137	C1D40PF29047	4.234	4.104	3.900
43	C1D43PF29017	C1D43PF29137	C1D43PF29047	4.534	4.404	4.200
45	C1D45PF29017	C1D45PF29137	C1D45PF29047	4.734	4.604	4.400
50	C1D50PF29017	C1D50PF29137	C1D50PF29047	5.234	5.104	4.900
60	C1D60PF29017	C1D60PF29137	C1D60PF29047	6.234	6.104	5.900

**.100" CENTER-TO-CENTER  
.200" ROW-TO-ROW  
PRESS-FIT FULL SCOOP**



**PHYSICAL PROPERTIES**

INSULATION RESISTANCE: 5000 megohms minimum.  
 CONTACT RETENTION INTO PCB: 5lbs. min.  
 INSERTION FORCE: 10 oz. max. measured with a .0700 ± .0001 THK polished blade per MIL-C-21097C  
 WITHDRAWAL FORCE: 1 oz. min. measured with a .0540 ± .0001 THK polished test blade per MIL-C-21097C after sizing 3 times with a .0700 ± .0001 THK blade  
 INSULATOR BODY: High Temp. Glass filled thermoplastic, UL rating 94V-O  
 COLOR: Black  
 SPRING CONTACT: Phosphor Bronze alloy  
 CONTACT PLATING: 50 microinches nickel underplate with 30 microinches gold in the mating area, tin/lead on tails, 100 microinches minimum

**ELECTRICAL PROPERTIES**

OPERATING VOLTAGE: 600 VDC (sea level)  
 CURRENT RATING: 3 Amperes  
 CONTACT RESISTANCE: 10 milliohms

**ENVIRONMENTAL PROPERTIES**

OPERATING TEMPERATURE: -55°C to +125°C  
 TEMPERATURE CYCLING: MIL-STD-202 method 107  
 VIBRATION: MIL-STD-202, method 204

**APPLICATION TOOLING**

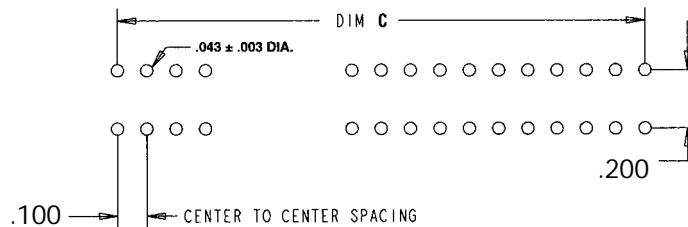
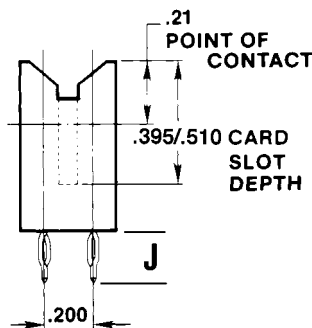
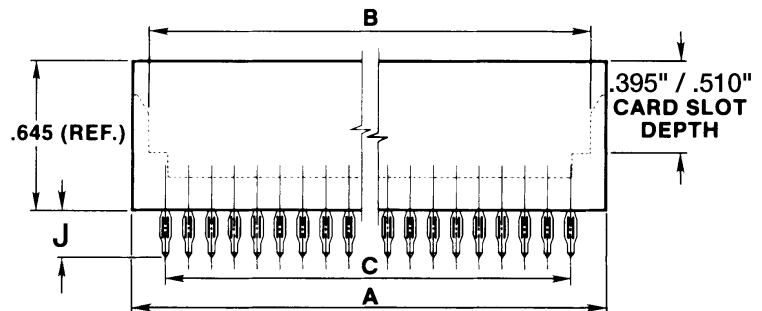
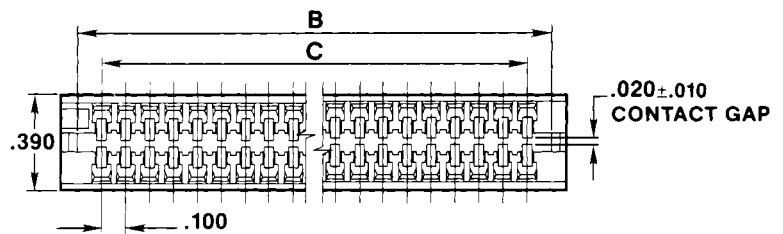
INSERTION TOOL: Cat. # 98236, see page 357

**ACCESSORIES**

POLARIZATION KEY: Cat. # 98014-00, see page 322

**DAUGHTER CARD**

See page 323 for layout



## ORDERING INFORMATION -

.100 CENTERLINE / .200 ROW-TO-ROW

# OF DUAL READOUT POS.	CATALOG NUMBER		DIMENSIONS		
	.510 CARD SLOT DEPTH	.395 CARD SLOT DEPTH	A	B	C
<b>TAIL LENGTH .670 (DIM "J")</b>					
18	W8D18PF29012	W8D18PF29042	2.034	1.904	1.700
20	W8D20PF29012	W8D20PF29042	2.234	2.104	1.900
22	W8D22PF29012	W8D22PF29042	2.434	2.304	2.100
25	W8D25PF29012	W8D25PF29042	2.734	2.604	2.400
28	W8D28PF29012	W8D28PF29042	3.034	2.904	2.700
30	W8D30PF29012	W8D30PF29042	3.234	3.104	2.900
35	W8D35PF29012	W8D35PF29042	3.734	3.604	3.400
36	W8D36PF29012	W8D36PF29042	3.834	3.704	3.500
40	W8D40PF29012	W8D40PF29042	4.234	4.104	3.900
43	W8D43PF29012	W8D43PF29042	4.534	4.404	4.200
45	W8D45PF29012	W8D45PF29042	4.734	4.604	4.400
50	W8D50PF29012	W8D50PF29042	5.234	5.104	4.900
60	W8D60PF29012	W8D60PF29042	6.234	6.104	5.900
<b>TAIL LENGTH .180 (DIM "J")</b>					
18	W8D18PF29013	W8D18PF29043	2.034	1.904	1.700
20	W8D20PF29013	W8D20PF29043	2.234	2.104	1.900
22	W8D22PF29013	W8D22PF29043	2.434	2.304	2.100
25	W8D25PF29013	W8D25PF29043	2.734	2.604	2.400
28	W8D28PF29013	W8D28PF29043	3.034	2.904	2.700
30	W8D30PF29013	W8D30PF29043	3.234	3.104	2.900
35	W8D35PF29013	W8D35PF29043	3.734	3.604	3.400
36	W8D36PF29013	W8D36PF29043	3.834	3.704	3.500
40	W8D40PF29013	W8D40PF29043	4.234	4.104	3.900
43	W8D43PF29013	W8D43PF29043	4.534	4.404	4.200
45	W8D45PF29013	W8D45PF29043	4.734	4.604	4.400
50	W8D50PF29013	W8D50PF29043	5.234	5.104	4.900
60	W8D60PF29013	W8D60PF29043	6.234	6.104	5.900



**.100" CENTER-TO-CENTER  
.200" ROW-TO-ROW  
PRESS-FIT FULL SCOOP  
WITH STANDOFFS**



**PHYSICAL PROPERTIES**

INSULATION RESISTANCE: 5000 megohms minimum.  
 CONTACT RETENTION INTO PCB: 5lbs. min.  
 INSERTION FORCE: 10 oz. max. measured with a .0700 ± .0001 THK polished blade per MIL-C-21097C  
 WITHDRAWAL FORCE: 1 oz. min. measured with a .0540 ± .0001 THK polished test blade per MIL-C-21097C after sizing 3 times with a .0700 ± .0001 THK blade  
 INSULATOR BODY: High Temp. Glass filled thermoplastic, UL rating 94V-O  
 COLOR: Black  
 SPRING CONTACT: Phosphor Bronze alloy  
 CONTACT PLATING: 50 microinches nickel underplate with 30 microinches gold in the mating area, tin/lead on tails, 100 microinches minimum

**ELECTRICAL PROPERTIES**

OPERATING VOLTAGE: 600 VDC (sea level)  
 CURRENT RATING: 3 Amperes  
 INITIAL CONTACT RESISTANCE: 10 milliohms

**ENVIRONMENTAL PROPERTIES**

OPERATING TEMPERATURE: -55°C to +125°C  
 TEMPERATURE CYCLING: MIL-STD-202 method 107  
 VIBRATION: MIL-STD-202, method 204

**APPLICATION TOOLING**

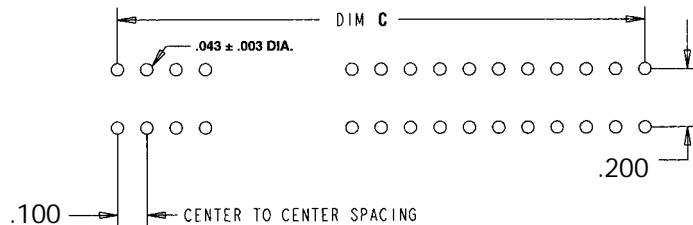
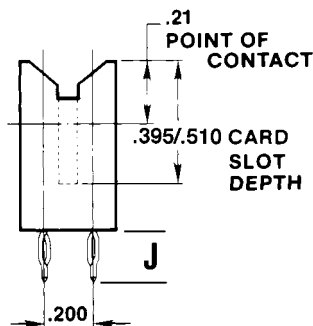
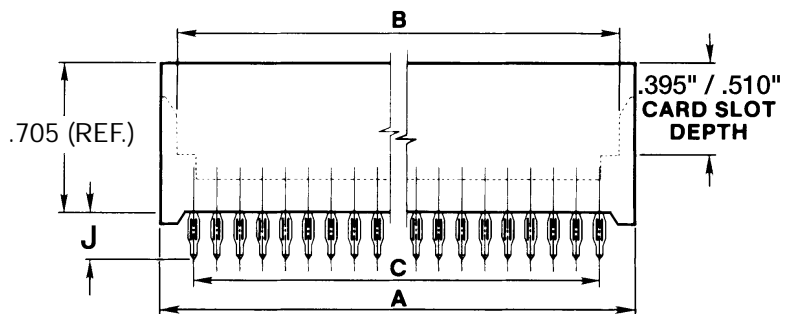
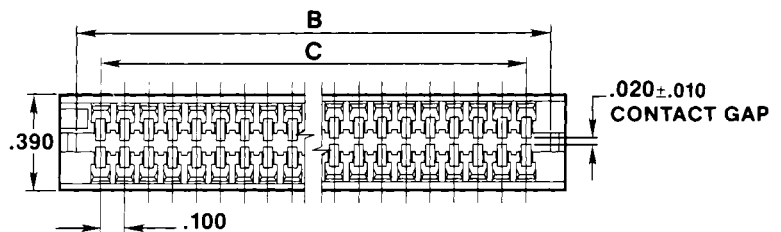
INSERTION TOOL: Cat. # 98236, see page 357

**ACCESSORIES**

POLARIZATION KEY: Cat. # 98014-00, see page 322

**DAUGHTER CARD**

See page 323 for layout



Open ends and open/closed ends are available. Consult factory.

**ORDERING INFORMATION -**

**.100 CENTERLINE / .200 ROW-TO-ROW**

# OF DUAL READOUT POS.	CATALOG NUMBER		DIMENSIONS		
	.510 CARD SLOT DEPTH	.395 CARD SLOT DEPTH	A	B	C
<b>TAIL LENGTH .670 (DIM "J")</b>					
18	W8D18PF29062	W8D18PF29092	2.034	1.904	1.700
20	W8D20PF29062	W8D20PF29092	2.234	2.104	1.900
22	W8D22PF29062	W8D22PF29092	2.434	2.304	2.100
25	W8D25PF29062	W8D25PF29092	2.734	2.604	2.400
28	W8D28PF29062	W8D28PF29092	3.034	2.904	2.700
30	W8D30PF29062	W8D30PF29092	3.234	3.104	2.900
35	W8D35PF29062	W8D35PF29092	3.734	3.604	3.400
36	W8D36PF29062	W8D36PF29092	3.834	3.704	3.500
40	W8D40PF29062	W8D40PF29092	4.234	4.104	3.900
43	W8D43PF29062	W8D43PF29092	4.534	4.404	4.200
45	W8D45PF29062	W8D45PF29092	4.734	4.604	4.400
50	W8D50PF29062	W8D50PF29092	5.234	5.104	4.900
60	W8D60PF29062	W8D60PF29092	6.234	6.104	5.900
<b>TAIL LENGTH .180 (DIM "J")</b>					
18	W8D18PF29063	W8D18PF29093	2.034	1.904	1.700
20	W8D20PF29063	W8D20PF29093	2.234	2.104	1.900
22	W8D22PF29063	W8D22PF29093	2.434	2.304	2.100
25	W8D25PF29063	W8D25PF29093	2.734	2.604	2.400
28	W8D28PF29063	W8D28PF29093	3.034	2.904	2.700
30	W8D30PF29063	W8D30PF29093	3.234	3.104	2.900
35	W8D35PF29063	W8D35PF29093	3.734	3.604	3.400
36	W8D36PF29063	W8D36PF29093	3.834	3.704	3.500
40	W8D40PF29063	W8D40PF29093	4.234	4.104	3.900
43	W8D43PF29063	W8D43PF29093	4.534	4.404	4.200
45	W8D45PF29063	W8D45PF29093	4.734	4.604	4.400
50	W8D50PF29063	W8D50PF29093	5.234	5.104	4.900
60	W8D60PF29063	W8D60PF29093	6.234	6.104	5.900



**.100" CENTER-TO-CENTER  
.200" ROW-TO-ROW  
PRESS-FIT WITHOUT  
STANDOFFS**



**PHYSICAL PROPERTIES**

INSULATION RESISTANCE: 5000 megohms minimum.  
 CONTACT RETENTION INTO PCB: 5 lbs.  
 INSERTION/WITHDRAWAL FORCE: 8 oz./2 oz. average contact pair using .0620 steel blade.  
 INSULATOR BODY: Glass filled thermoplastic, UL rating 94V-0  
 COLOR: Black  
 CONTACTS: High strength copper alloy.  
 CONTACT PLATING: 50 microinches nickel underplate with 30 microinches gold in the mating area, tin/lead on tails, 100 microinches minimum

**ELECTRICAL PROPERTIES**

OPERATING VOLTAGE: 600 VDC (sea level)  
 CURRENT RATING: 3 Amperes  
 INITIAL CONTACT RESISTANCE: 10 milliohms

**ENVIRONMENTAL PROPERTIES**

OPERATING TEMPERATURE: -55°C to +125°C  
 TEMPERATURE CYCLING: MIL-STD-202 method 107  
 VIBRATION: MIL-STD-202, method 204

**APPLICATION TOOLING**

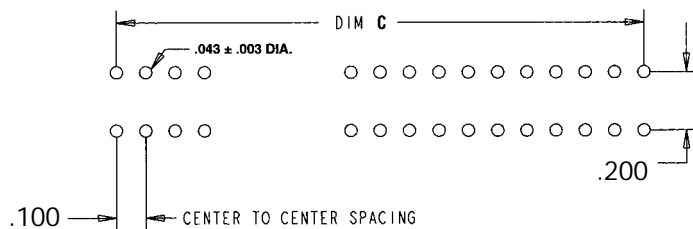
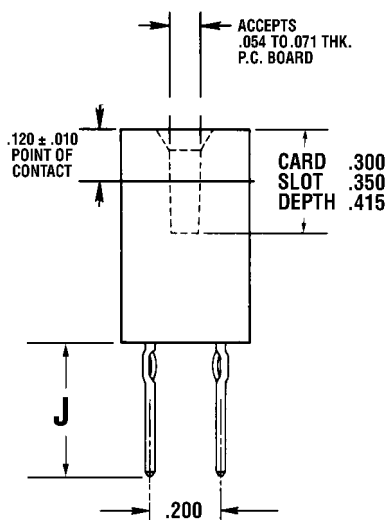
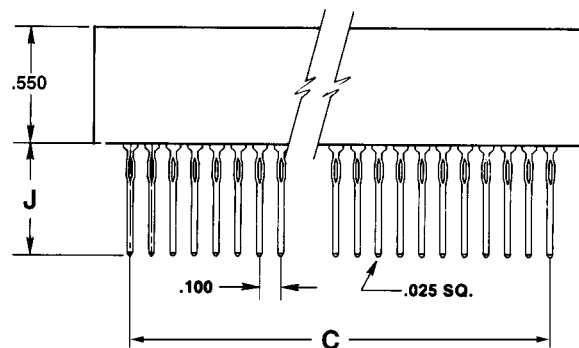
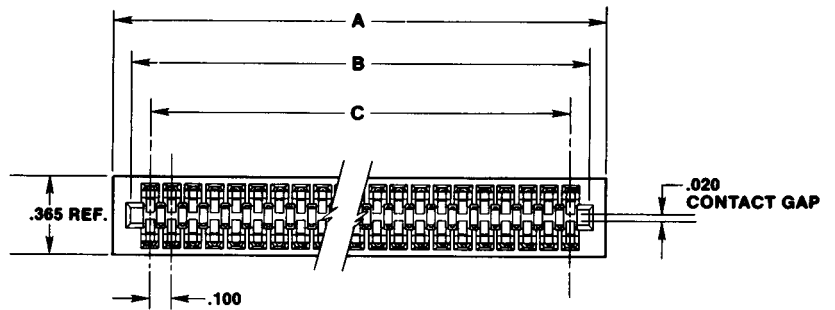
INSERTION TOOL: Cat. # 98236, see page 357

**ACCESSORIES**

POLARIZATION KEY: Cat. # 98014-00, see page 322

**DAUGHTER CARD**

See page 323 for layout



## ORDERING INFORMATION -

### .100 CENTER-TO-CENTER/.200 ROW-TO-ROW

# OF DUAL READOUT POS.	CATALOG NUMBER			DIMENSIONS		
	.300 CARD SLOT DEPTH	.350 CARD SLOT DEPTH	.415 CARD SLOT DEPTH	A	B	C
<b>TAIL LENGTH .670 ("J")</b>						
6	C8D06PF29032	C8D06PF29142	C8D06PF29022	0.860	0.700	0.500
10	C8D10PF29032	C8D10PF29142	C8D10PF29022	1.260	1.100	0.900
12	C8D12PF29032	C8D12PF29142	C8D12PF29022	1.460	1.300	1.100
15	C8D15PF29032	C8D15PF29142	C8D15PF29022	1.760	1.600	1.400
20	C8D20PF29032	C8D20PF29142	C8D20PF29022	2.260	2.100	1.900
22	C8D22PF29032	C8D22PF29142	C8D22PF29022	2.460	2.300	2.100
25	C8D25PF29032	C8D25PF29142	C8D25PF29022	2.760	2.600	2.400
28	C8D28PF29032	C8D28PF29142	C8D28PF29022	3.060	2.900	2.700
30	C8D30PF29032	C8D30PF29142	C8D30PF29022	3.260	3.100	2.900
31	C8D31PF29032	C8D31PF29142	C8D31PF29022	3.360	3.200	3.000
35	C8D35PF29032	C8D35PF29142	C8D35PF29022	3.760	3.600	3.400
36	C8D36PF29032	C8D36PF29142	C8D36PF29022	3.860	3.700	3.500
40	C8D40PF29032	C8D40PF29142	C8D40PF29022	4.260	4.100	3.900
43	C8D43PF29032	C8D43PF29142	C8D43PF29022	4.560	4.400	4.200
50	C8D50PF29032	C8D50PF29142	C8D50PF29022	5.260	5.100	4.900
60	C8D60PF29032	C8D60PF29142	C8D60PF29022	6.260	6.100	5.900
<b>TAIL LENGTH .180 ("J")</b>						
6	C8D06PF29033	C8D06PF29143	C8D06PF29023	0.860	0.700	0.500
10	C8D10PF29033	C8D10PF29143	C8D10PF29023	1.260	1.100	0.900
12	C8D12PF29033	C8D12PF29143	C8D12PF29023	1.460	1.300	1.100
15	C8D15PF29033	C8D15PF29143	C8D15PF29023	1.760	1.600	1.400
20	C8D20PF29033	C8D20PF29143	C8D20PF29023	2.260	2.100	1.900
22	C8D22PF29033	C8D22PF29143	C8D22PF29023	2.460	2.300	2.100
25	C8D25PF29033	C8D25PF29143	C8D25PF29023	2.760	2.600	2.400
28	C8D28PF29033	C8D28PF29143	C8D28PF29023	3.060	2.900	2.700
30	C8D30PF29033	C8D30PF29143	C8D30PF29023	3.260	3.100	2.900
31	C8D31PF29033	C8D31PF29143	C8D31PF29023	3.360	3.200	3.000
35	C8D35PF29033	C8D35PF29143	C8D35PF29023	3.760	3.600	3.400
36	C8D36PF29033	C8D36PF29143	C8D36PF29023	3.860	3.700	3.500
40	C8D40PF29033	C8D40PF29143	C8D40PF29023	4.260	4.100	3.900
43	C8D43PF29033	C8D43PF29143	C8D43PF29023	4.560	4.400	4.200
50	C8D50PF29033	C8D50PF29143	C8D50PF29023	5.260	5.100	4.900
60	C8D60PF29033	C8D60PF29143	C8D60PF29023	6.260	6.100	5.900



**.100" CENTER-TO-CENTER  
.200" ROW-TO-ROW  
PRESS-FIT CARDEdge  
WITH STANDOFFS**



**PHYSICAL PROPERTIES**

INSULATION RESISTANCE: 5000 megohms minimum.  
 CONTACT RETENTION INTO PCB: 5 lbs.  
 INSERTION/WITHDRAWAL FORCE: 8 oz./2 oz. average contact pair using .0620 steel blade.  
 INSULATOR BODY: Glass filled thermoplastic, UL rating 94V-0  
 COLOR: Black  
 CONTACTS: High strength copper alloy.  
 CONTACT PLATING: 50 microinches nickel underplate with 30 microinches gold in the mating area, tin/lead on tails, 100 microinches minimum

**ELECTRICAL PROPERTIES**

OPERATING VOLTAGE: 600 VDC (sea level)  
 CURRENT RATING: 3 Amperes  
 INITIAL CONTACT RESISTANCE: 10 milliohms

**ENVIRONMENTAL PROPERTIES**

OPERATING TEMPERATURE: -55°C to +125°C  
 TEMPERATURE CYCLING: MIL-STD-202 method 107  
 VIBRATION: MIL-STD-202, method 204

**APPLICATION TOOLING**

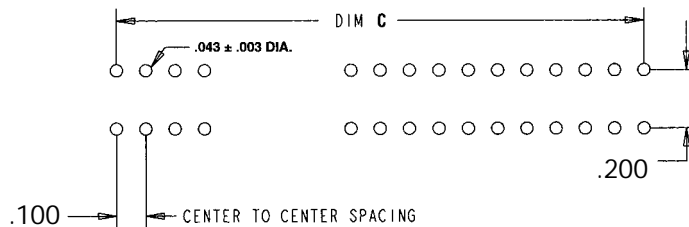
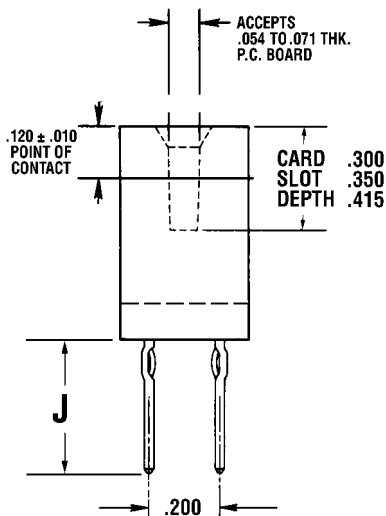
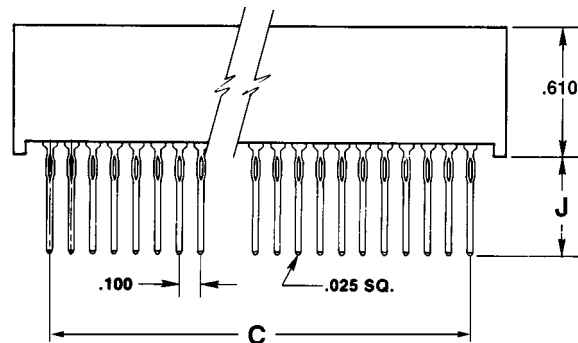
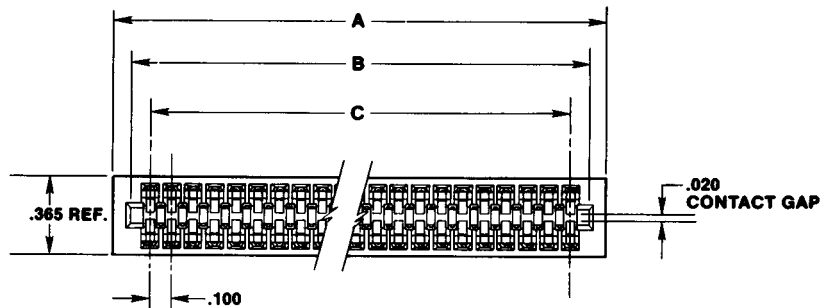
INSERTION TOOL: Cat. # 98236, see page 357

**ACCESSORIES**

POLARIZATION KEY: Cat. # 98014-00, see page 322

**DAUGHTER CARD**

See page 323 for layout



Open ends and open/closed ends are available. Consult factory.