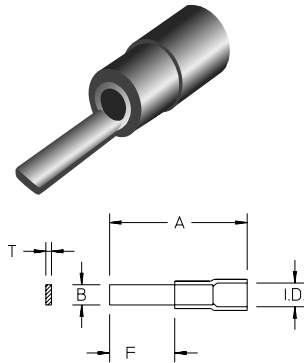


T&B Crimp Terminals

Blade Terminals, Pin Terminals



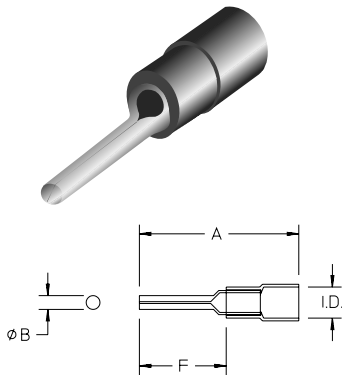
Vinyl Insulated Straight Blade Terminals

Cat. No.	Wire Range	Ins. Color	Dimensions					Dist. Bagged Qty.	Bulk† Ctn. Qty.	
			B	F (mm)	F (in.)	A	T			I.D.
TV18-10BL	22-18	Red	.087	10	.394	.850	.031	.173	50	1,000
TV18-18BL	22-18	Red	.087	18	.709	1.174	.031	.173	50	1,000
TV14-10BL	16-14	Blue	.087	10	.394	.855	.031	.177	50	1,000
TV14-18BL	16-14	Blue	.087	18	.709	1.178	.031	.177	50	1,000
TV10-10BL	12-10	Yellow	.110	10	.394	.962	.039	.266	25	500

†For Bulk Quantities, add "-1" to Catalog Number i.e. TV18-10BL-1.



Vinyl Insulated Straight Pin Terminals



Cat. No.	Wire Range	Ins. Color	Dimensions				Dist. Bagged Qty.	Bulk† Ctn. Qty.	
			F (mm)	F (in.)	B Dia.	A			I.D.
TV18-12PT	22-18	Red	12	.472	.075	.920	.173	50	1,000
TV14-12PT	16-14	Blue	12	.472	.075	.920	.177	50	1,000
TV10-14PT	12-10	Yellow	14	.551	.106	1.102	.266	25	500

†For Bulk Quantities, add "-1" to Catalog Number i.e. TV18-12PT-1.

Thomas&Betts