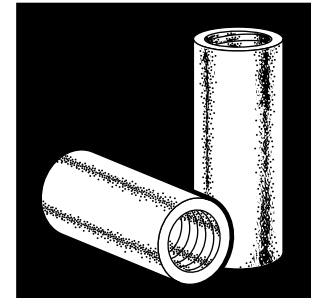
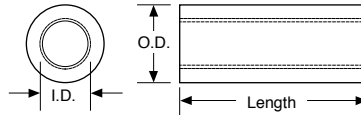


# Catamount®

## Nylon Hardware

### TAPPED ROUND SPACERS

- Lengths from 1/4" to 1" with 4-40, 6-32 and 8-32 Threads
- Internal Threads per Unified Standard. Class 2B, UNC
- Available in Natural 6/6 Nylon (only)
- UL Flammability 94 V-2
- Non-Conductive, Non-Corrosive; Resistant to Fuels, Lubricants and most Chemicals



Item Number	Inside Diameter	Outside Diameter	Length
TPNY-001-9-D	4-40	1/4	1/4
TPNY-006-9-D	6-32		
TPNY-011-9-D	8-32		
TPNY-016-9-D	8-32	5/16	3/8
TPNY-002-9-D	4-40		
TPNY-007-9-D	6-32		
TPNY-012-9-D	8-32	1/4	1/2
TPNY-017-9-D	8-32		
TPNY-003-9-D	4-40		
TPNY-008-9-D	6-32	5/16	1/2
TPNY-013-9-D	8-32		
TPNY-018-9-D	8-32		

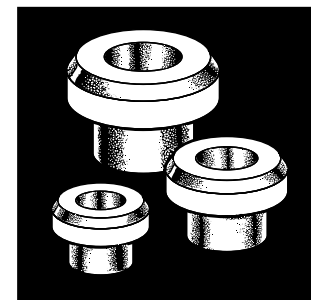
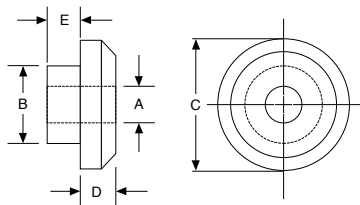
Item Number	Inside Diameter	Outside Diameter	Length
TPNY-004-9-D	4-40	1/4	3/4
TPNY-009-9-D	6-32		
TPNY-014-9-D	8-32		
TPNY-019-9-D	8-32	5/16	1
TPNY-005-9-D	4-40		
TPNY-010-9-D	6-32		
TPNY-015-9-D	8-32	1/4	1

• 500 Per Package

On Tapped Spacers 3/4" and longer, tap may be 3/8" from each end and not straight through.

### BEVEL HEADED SHOULDER WASHERS

- Seven Standard Sizes to Accommodate #2 through #3/8 Screws
- Available in 6/6 Natural Nylon (only)
- UL Flammability 94 V-2
- Oxygen Index: 31
- Non-Conductive, Non-Corrosive; Resistant to Fuels, Lubricants and most Chemicals
- Nylon is particularly Resistant to Repeated Impact, has a Low Coefficient of Friction and Excellent Resistance to Abrasion



Item Number	A Inside Diameter	Screw Size	B Outside Diameter	C Flange Diameter	D Flange Thickness	E Sleeve
BHNY-091-0	.091	2	.156	.250	.040	.040
BHNY-121-0	.121	4	.187	.281		
BHNY-145-0	.145	6	.218	.327		
BHNY-175-0	.175	8	.250	.375	.050	.050
BHNY-200-0	.200	10	.280	.437		
BHNY-260-0	.260	1/4	.375	.562	.060	.060
BHNY-385-0	.385	3/8	.500	.750		
Tolerance ±	.005		.015		.010	

**Thomas & Betts**