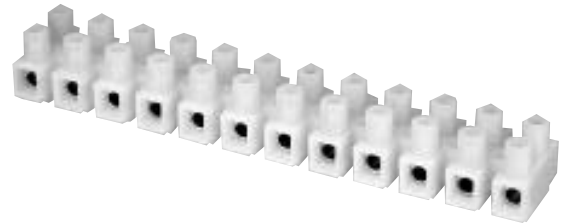


**10MM PITCH, 30A  
WITH WIRE PROTECTOR  
SERIES TSB500**



**PHYSICAL PROPERTIES**

**Housing:**

HOUSING MATERIAL: Polyamide 6

FLAMMABILITY: UL94V-2

COLOR: Natural (off white)

**Terminal:**

TUBULAR CONTACT: Brass, tin plated

SCREW: Steel, M3

SCREW PLATING: Zinc with chromate

WIRE PROTECTOR: Stainless steel

**Mechanical:**

PITCH (TERMINAL SPACING): 10mm (.394)

WIRE STRIP LENGTH: 5mm (0.20")

MIN. WIRE PULL-OUT FORCE: 75 LBS.

RECOMMENDED TIGHTENING TORQUE: 5 in.- lbs.

RECOMMENDED SCREWDRIVERS: Stanley 1016,  
Sears Craftsman 41429, Xcelite R184

**ELECTRICAL PROPERTIES:**

MAXIMUM CURRENT: 30A

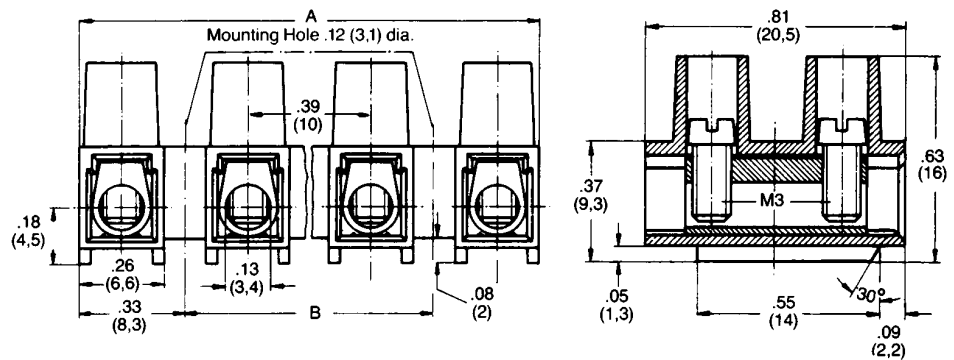
OPERATING VOLTAGE: 250V

WIRE RANGE: 12-24 AWG

DIELECTRIC WITHSTAND: 3500V

**ENVIRONMENTAL PROPERTIES:**

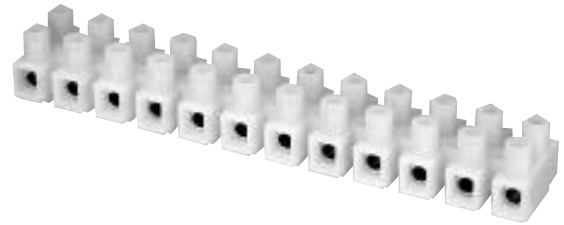
CONTINUOUS WORKING TEMPERATURE: 105°C



**Ordering Information**

NO. OF POS.	CATALOG NUMBER WIRE PROTECTOR	A	B
1	TSB500 0131DS	6,6 (.26)	—
2	TSB500 0231DS	16,6 (.65)	—
3	TSB500 0331DS	26,6 (1.05)	10 (.39)
4	TSB500 0431DS	36,6 (1.44)	20 (.79)
5	TSB500 0531DS	46,6 (1.83)	30 (1.18)
6	TSB500 0631DS	56,6 (2.23)	40 (1.57)
7	TSB500 0731DS	66,6 (2.62)	50 (1.97)
8	TSB500 0831DS	76,6 (3.02)	60 (2.36)
9	TSB500 0931DS	86,6 (3.41)	70 (2.76)
10	TSB500 1031DS	96,6 (3.80)	80 (3.15)
11	TSB500 1131DS	106,6 (4.20)	90 (3.54)
12	TSB500 1231DS	116,6 (4.59)	100 (3.94)

**10MM PITCH, 40A  
WITH TUNNEL CONNECTION  
SERIES TSB500**



**PHYSICAL PROPERTIES**

**Housing:**

HOUSING MATERIAL: Polyamide 6

FLAMMABILITY: UL94V-2

COLOR: Natural (off white)

**Terminal:**

TUBULAR CONTACT: Brass, tin plated

SCREW: Steel, M3

SCREW PLATING: Zinc with chromate

**Mechanical:**

PITCH (TERMINAL SPACING): 10mm (.394)

WIRE STRIP LENGTH: 5mm (0.20")

MIN. WIRE PULL-OUT FORCE: 75 LBS.

RECOMMENDED TIGHTENING TORQUE: 5 in.- lbs.

RECOMMENDED SCREWDRIVERS: Stanley 1016,  
Sears Craftsman 41429, Xcelite R184

**ELECTRICAL PROPERTIES:**

MAXIMUM CURRENT: 30A

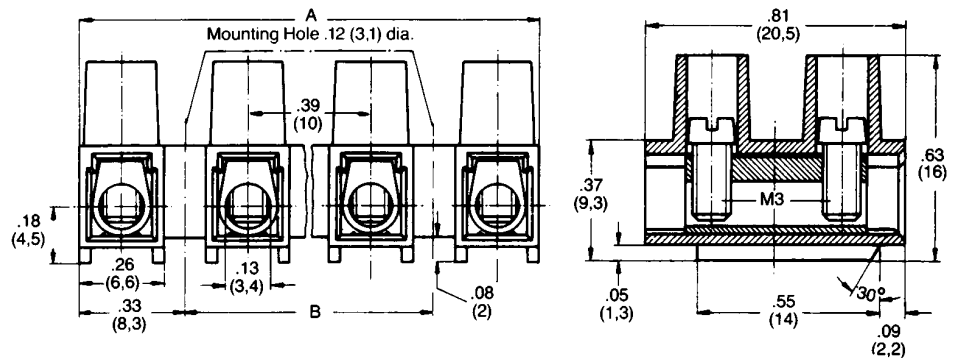
OPERATING VOLTAGE: 250V

WIRE RANGE: 10-22 AWG

DIELECTRIC WITHSTAND: 3500V

**ENVIRONMENTAL PROPERTIES:**

CONTINUOUS WORKING TEMPERATURE: 105°C



**Ordering Information**

NO. OF POS.	CATALOG NUMBER TUNNEL CONNECTION	A	B
1	TSB500 0131	6,6 (.26)	—
2	TSB500 0231	16,6 (.65)	—
3	TSB500 0331	26,6 (1.05)	10 (.39)
4	TSB500 0431	36,6 (1.44)	20 (.79)
5	TSB500 0531	46,6 (1.83)	30 (1.18)
6	TSB500 0631	56,6 (2.23)	40 (1.57)
7	TSB500 0731	66,6 (2.62)	50 (1.97)
8	TSB500 0831	76,6 (3.02)	60 (2.36)
9	TSB500 0931	86,6 (3.41)	70 (2.76)
10	TSB500 1031	96,6 (3.80)	80 (3.15)
11	TSB500 1131	106,6 (4.20)	90 (3.54)
12	TSB500 1231	116,6 (4.59)	100 (3.94)

**10MM PITCH, 30A  
HIGH TEMPERATURE  
SERIES TSB500...HT**

**PHYSICAL PROPERTIES**

**Housing:**

HOUSING MATERIAL: Polyamide 6/6  
FLAMMABILITY: UL94V-0  
COLOR: Brown

**Terminal:**

TUBULAR CONTACT: Brass, tin plated  
SCREW: Steel, M3  
SCREW PLATING: Zinc with chromate  
WIRE PROTECTOR: Stainless steel

**Mechanical:**

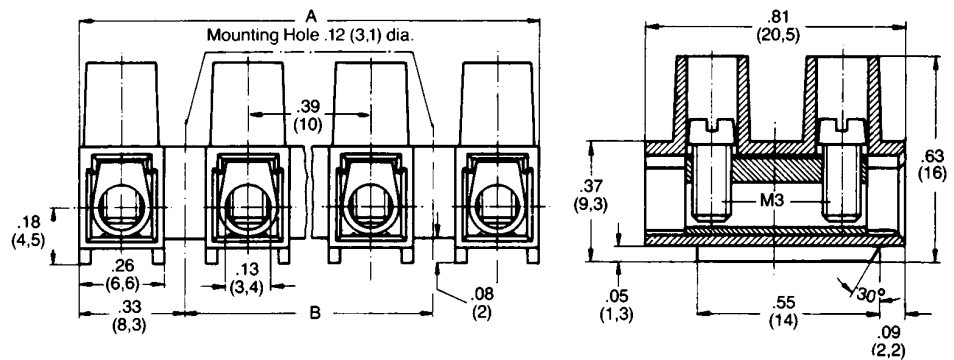
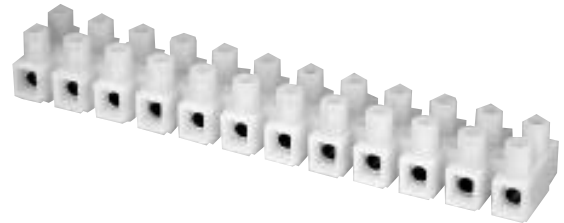
PITCH (TERMINAL SPACING): 10mm (.394)  
WIRE STRIP LENGTH: 5mm (0.20")  
MIN. WIRE PULL-OUT FORCE: 75 LBS.  
RECOMMENDED TIGHTENING TORQUE: 5 in.- lbs.  
RECOMMENDED SCREWDRIVERS: Stanley 1016,  
Sears Craftsman 41429, Xcelite R184

**ELECTRICAL PROPERTIES:**

MAXIMUM CURRENT: 30A  
OPERATING VOLTAGE: 250V  
WIRE RANGE: 12-24 AWG  
DIELECTRIC WITHSTAND: 3500V

**ENVIRONMENTAL PROPERTIES:**

CONTINUOUS WORKING TEMPERATURE: 150°C



**Ordering Information**

NO. OF POS.	CATALOG NUMBER WIRE PROTECTOR	A	B
1	TSB500 0131DS HT	6,6 (.26)	—
2	TSB500 0231DS HT	16,6 (.65)	—
3	TSB500 0331DS HT	26,6 (1.05)	10 (.39)
4	TSB500 0431DS HT	36,6 (1.44)	20 (.79)
5	TSB500 0531DS HT	46,6 (1.83)	30 (1.18)
6	TSB500 0631DS HT	56,6 (2.23)	40 (1.57)
7	TSB500 0731DS HT	66,6 (2.62)	50 (1.97)
8	TSB500 0831DS HT	76,6 (3.02)	60 (2.36)
9	TSB500 0931DS HT	86,6 (3.41)	70 (2.76)
10	TSB500 1031DS HT	96,6 (3.80)	80 (3.15)
11	TSB500 1131DS HT	106,6 (4.20)	90 (3.54)
12	TSB500 1231DS HT	116,6 (4.59)	100 (3.94)

Note: 5,000 piece minimum order.



LR28387 E63810

10MM PITCH, 30A  
ELONGATED PLASTIC  
SERIES TSB500SK



PHYSICAL PROPERTIES

Housing:

HOUSING MATERIAL: Polyamide 6

FLAMMABILITY: UL94V-2

COLOR: natural (off white)

Terminal:

TUBULAR CONTACT: Brass, tin plated

SCREW: Steel, M3

SCREW PLATING: Zinc with chromate

WIRE PROTECTOR: Stainless steel

Mechanical:

PITCH (TERMINAL SPACING): 10mm (.394")

WIRE STRIP LENGTH: 5mm (0.20")

MIN. WIRE PULL-OUT FORCE: 5 LBS.

RECOMMENDED TIGHTENING TORQUE: 5 in.- lbs.

RECOMMENDED SCREWDRIVERS: Stanley 1016,

Sears Craftsman 41429, Xcelite R184

ELECTRICAL PROPERTIES:

MAXIMUM CURRENT: 30A (UL), 25A (CSA)

OPERATING VOLTAGE: 250V

WIRE RANGE:

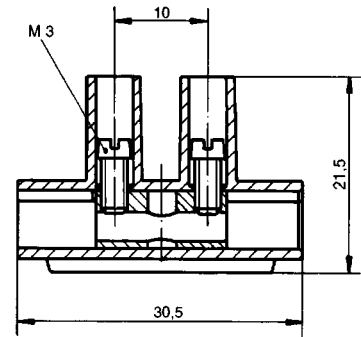
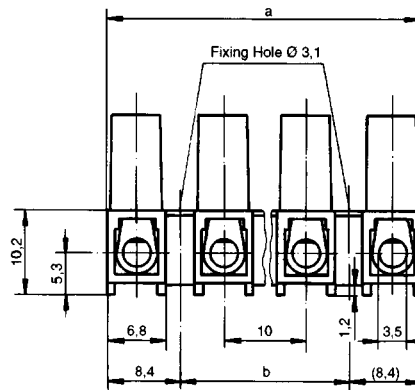
Wire Protector: 12-24 AWG

Tunnel Connection: 10-22 AWG

Dielectric Withstand: 3500V

ENVIRONMENTAL PROPERTIES:

CONTINUOUS WORKING TEMPERATURE: 105°C



Ordering Information

NO. OF POS.	CATALOG NUMBER TUNNEL CONNECTION	CATALOG NUMBER WIRE PROTECTOR	A	B
1	TSB500 SK01	TSB500 SK01MDS	6,6 (.26)	—
2	TSB500 SK02	TSB500 SK02MDS	16,6 (.65)	—
3	TSB500 SK03	TSB500 SK03MDS	26,6 (1.05)	10 (.39)
4	TSB500 SK04	TSB500 SK04MDS	36,6 (1.44)	20 (.79)
5	TSB500 SK05	TSB500 SK05MDS	46,6 (1.83)	30 (1.18)
6	TSB500 SK06	TSB500 SK06MDS	56,6 (2.23)	40 (1.57)
7	TSB500 SK07	TSB500 SK07MDS	66,6 (2.62)	50 (1.97)
8	TSB500 SK08	TSB500 SK08MDS	76,6 (3.02)	60 (2.36)
9	TSB500 SK09	TSB500 SK09MDS	86,6 (3.41)	70 (2.76)
10	TSB500 SK10	TSB500 SK10MDS	96,6 (3.80)	80 (3.15)
11	TSB500 SK11	TSB500 SK11MDS	106,6 (4.20)	90 (3.54)
12	TSB500 SK12	TSB500 SK12MDS	116,6 (4.59)	100 (3.94)

NOTE: Add suffix HT for High Temperature version. 5,000 piece minimum order. Flammability: UL94V-0. Continuous working temperature: 150°



LR28387 E63810