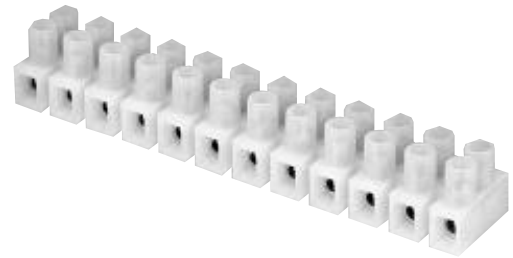


**8MM PITCH, 30A
WITH WIRE PROTECTOR
SERIES TSB230**



PHYSICAL PROPERTIES

Housing:

HOUSING MATERIAL: Polyamide 6

FLAMMABILITY: UL94 V-2

COLOR: natural (off white)

Terminal:

TUBULAR CONTACT: Brass, tin plated

SCREW: Steel, M3

SCREW PLATING: Zinc with chromate

WIRE PROTECTOR: Stainless steel

Mechanical:

PITCH (TERMINAL SPACING): 8mm (.315")

WIRE STRIP LENGTH: 5mm (0.20")

MIN. WIRE PULL-OUT FORCE: 75LBS.

RECOMMENDED TIGHTENING TORQUE: 5in.-lbs.

RECOMMENDED SCREWDRIVERS: Stanley 1016,
Sears Craftsman 41429, Xcelite R184

ELECTRICAL PROPERTIES:

MAXIMUM CURRENT: 30A

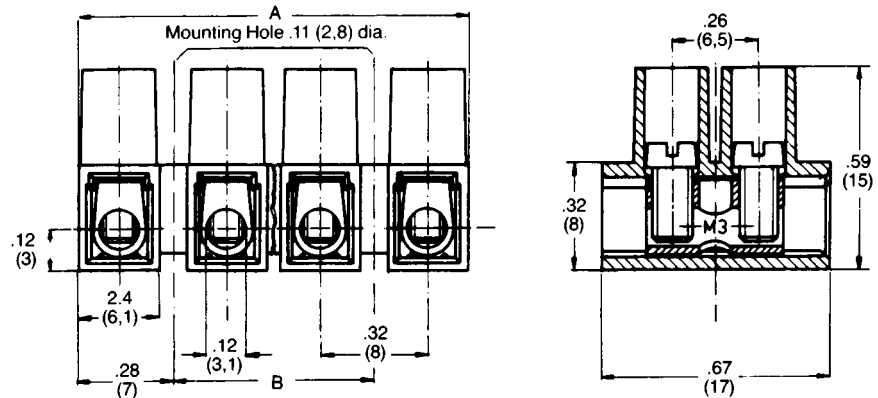
OPERATING VOLTAGE: 250V

WIRE RANGE: 12-26 AWG

DIELECTRIC WITHSTAND: 3000V

ENVIRONMENTAL PROPERTIES:

CONTINUOUS WORKING TEMPERATURE: 105°C



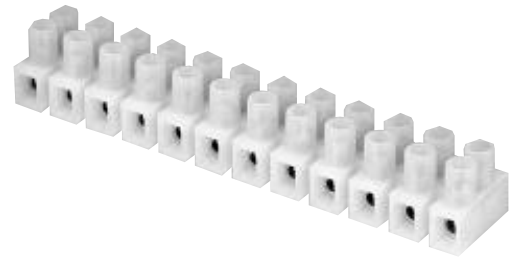
Ordering Information

| NO. OF POS. | CATALOG NUMBER WIRE PROTECTOR | A | B |
|-------------|-------------------------------|-----------|-----------|
| 1 | TSB230 01DS | 6 (.24) | — |
| 2 | TSB230 02DS | 14 (.55) | — |
| 3 | TSB230 03DS | 22 (.87) | 8 (.31) |
| 4 | TSB230 04DS | 30 (1.18) | 16 (.63) |
| 5 | TSB230 05DS | 38 (1.50) | 24 (.94) |
| 6 | TSB230 06DS | 46 (1.81) | 32 (1.26) |
| 7 | TSB230 07DS | 54 (2.13) | 40 (1.57) |
| 8 | TSB230 08DS | 62 (2.44) | 48 (1.89) |
| 9 | TSB230 09DS | 70 (2.76) | 56 (2.20) |
| 10 | TSB230 10DS | 78 (3.07) | 64 (2.52) |
| 11 | TSB230 11DS | 86 (3.39) | 72 (2.83) |
| 12 | TSB230 12DS | 94 (3.70) | 80 (3.15) |



LR28387 E63810

**8MM PITCH 30A,
WITH TUNNEL PROTECTOR
SERIES TSB230**



PHYSICAL PROPERTIES

Housing:

HOUSING MATERIAL: Polyamide 6

FLAMMABILITY: UL94V-2

COLOR: natural (off white)

Terminal:

TUBULAR CONTACT: Brass, tin plated

SCREW: Steel, M3

SCREW PLATING: Zinc with chromate

Mechanical:

PITCH (TERMINAL SPACING): 8mm (.315)

WIRE STRIP LENGTH: 5mm (0.20")

MIN. WIRE PULL-OUT FORCE: 75LBS.

RECOMMENDED TIGHTENING TORQUE: 5in.-lbs.

RECOMMENDED SCREWDRIVERS: Stanley 1016,
Sears Craftsman 41429, Xcelite R184

ELECTRICAL PROPERTIES:

MAXIMUM CURRENT: 30A

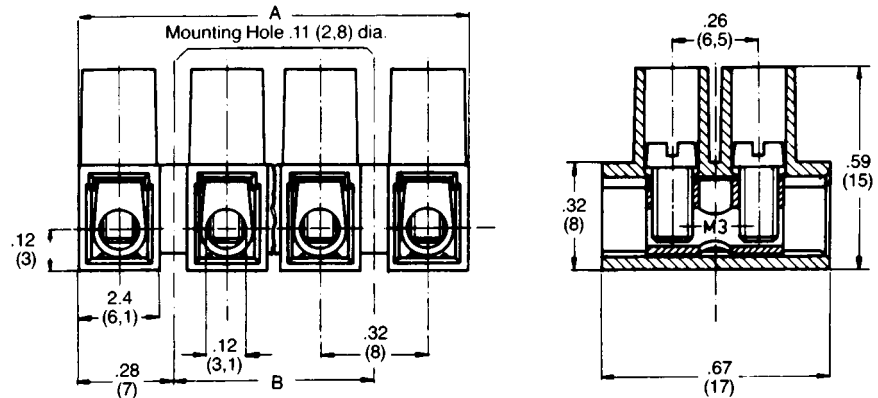
OPERATING VOLTAGE: 250V

WIRE RANGE: 12-24 AWG

DIELECTRIC WITHSTAND: 3000V

ENVIRONMENTAL PROPERTIES:

CONTINUOUS WORKING TEMPERATURE: 105°C



Ordering Information

| NO. OF POS. | CATALOG NUMBER TUNNEL CONNECTION | A | B |
|-------------|-------------------------------------|-----------|-----------|
| 1 | TSB230 01 | 6 (.24) | — |
| 2 | TSB230 02 | 14 (.55) | — |
| 3 | TSB230 03 | 22 (.87) | 8 (.31) |
| 4 | TSB230 04 | 30 (1.18) | 16 (.63) |
| 5 | TSB230 05 | 38 (1.50) | 24 (.94) |
| 6 | TSB230 06 | 46 (1.81) | 32 (1.26) |
| 7 | TSB230 07 | 54 (2.13) | 40 (1.57) |
| 8 | TSB230 08 | 62 (2.44) | 48 (1.89) |
| 9 | TSB230 09 | 70 (2.76) | 56 (2.20) |
| 10 | TSB230 10 | 78 (3.07) | 64 (2.52) |
| 11 | TSB230 11 | 86 (3.39) | 72 (2.83) |
| 12 | TSB230 12 | 94 (3.70) | 80 (3.15) |

