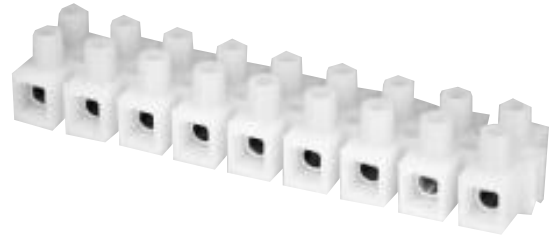


**14.5MM PITCH, 65A
SERIES TSB2000**



PHYSICAL PROPERTIES

Housing:

HOUSING MATERIAL: Polyamide 6

FLAMMABILITY: UL94V-2

COLOR: Natural (off white)

Terminal:

TUBULAR CONTACT: Brass, tin plated

SCREW: Steel, M3.5

SCREW PLATING: Zinc with chromate

WIRE PROTECTOR: Stainless steel

TUNNEL CONNECTION: Without wire protector

Mechanical:

PITCH (TERMINAL SPACING): 14.5mm (.571")

WIRE STRIP LENGTH: 9mm (.35")

MIN. WIRE PULL-OUT FORCE: 150 LBS.

RECOMMENDED TIGHTENING TORQUE: 12 in.-lbs.

RECOMMENDED SCREWDRIVERS: Stanley 1008,

Sears Craftsman 41436, Xcelite R3164

ELECTRICAL PROPERTIES:

MAXIMUM CURRENT: 65A (UR), 70A (CSA)

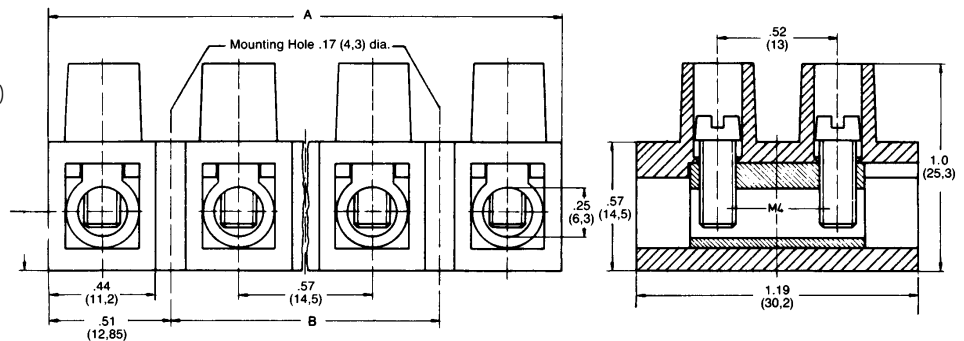
OPERATING VOLTAGE: 250V (UR), 300V (CSA)

WIRE RANGE: 6-14 AWG (UR), 6-22 AWG (CSA)

DIELECTRIC WITHSTAND: 6000V

ENVIRONMENTAL PROPERTIES:

CONTINUOUS WORKING TEMPERATURE: 105°C



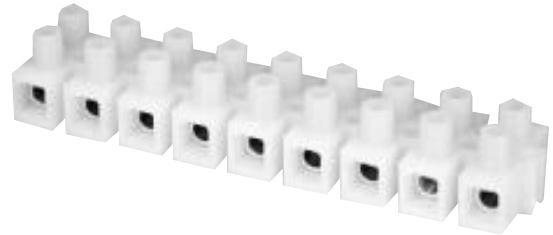
Ordering Information

NO. OF POS.	CATALOG NUMBER TUNNEL CONNECTION	CATALOG NUMBER WIRE PROTECTOR	A	B
1	TSB2000 01	TSB2000 01DS	11,2 (.44)	—
2	TSB2000 02	TSB2000 02DS	25,7 (1.01)	—
3	TSB2000 03	TSB2000 03DS	40,2 (1.58)	14,5 (.57)
4	TSB2000 04	TSB2000 04DS	54,7 (2.15)	29 (1.14)
5	TSB2000 05	TSB2000 05DS	69,2 (2.72)	43,5 (1.71)
6	TSB2000 06	TSB2000 06DS	83,7 (3.30)	58 (2.28)
7	TSB2000 07	TSB2000 07DS	98,2 (3.87)	72,5 (2.85)
8	TSB2000 08	TSB2000 08DS	112,7 (4.44)	87 (3.43)
9	TSB2000 09	TSB2000 09DS	127,2 (5.01)	101,5 (4.06)
10	TSB2000 10	TSB2000 10DS	141,7 (5.58)	116 (4.57)
11	TSB2000 11	TSB2000 11DS	156,2 (6.15)	130,5 (5.14)
12	TSB2000 12	TSB2000 12DS	170,7 (6.72)	145 (5.71)



LR28387 E63810

**14.5MM PITCH, 65A
HIGH TEMPERATURE
SERIES TSB2000...HT**



PHYSICAL PROPERTIES

Housing:

HOUSING MATERIAL: Polyamide 6/6
FLAMMABILITY: UL94V-0
COLOR: Brown

Terminal:

TUBULAR CONTACT: Brass, tin plated
SCREW: Steel, M3.5
SCREW PLATING: Zinc with chromate
WIRE PROTECTOR: Stainless steel

Mechanical:

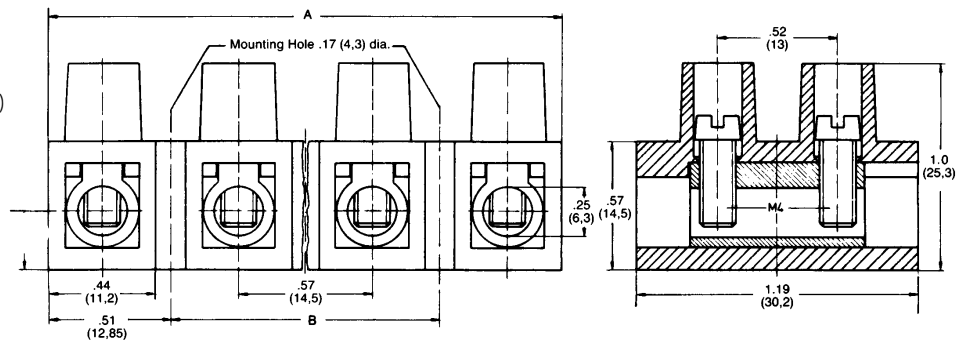
PITCH (TERMINAL SPACING): 14.5mm (.571")
WIRE STRIP LENGTH: 9mm (.35")
MIN. WIRE PULL-OUT FORCE: 150 LBS.
RECOMMENDED TIGHTENING TORQUE: 12 in.-lbs.
RECOMMENDED SCREWDRIVERS: Stanley 1008,
Sears Craftsman 41436, Xcelite R3164

ELECTRICAL PROPERTIES:

MAXIMUM CURRENT: 65A (UR), 70A (CSA)
OPERATING VOLTAGE: 250V (UR), 300V (CSA)
WIRE RANGE: 6-14 AWG (UR), 6-22 AWG (CSA)
DIELECTRIC WITHSTAND: 6000V

ENVIRONMENTAL PROPERTIES:

CONTINUOUS WORKING TEMPERATURE: 150°C



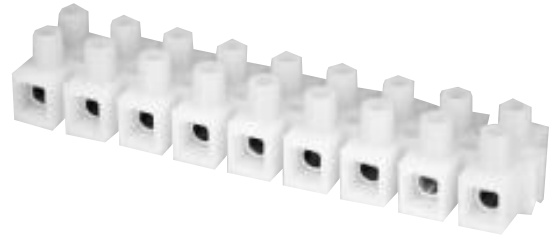
Ordering Information

NO. OF POS.	CATALOG NUMBER WIRE PROTECTOR	A	B
1	TSB2000 01 DSHT	11,2 (.44)	—
2	TSB2000 02 DSHT	25,7 (1.01)	—
3	TSB2000 03 DSHT	40,2 (1.58)	14,5 (.57)
4	TSB2000 04 DSHT	54,7 (2.15)	29 (1.14)
5	TSB2000 05 DSHT	69,2 (2.72)	43,5 (1.71)
6	TSB2000 06 DSHT	83,7 (3.30)	58 (2.28)
7	TSB2000 07 DSHT	98,2 (3.87)	72,5 (2.85)
8	TSB2000 08 DSHT	112,7 (4.44)	87 (3.43)
9	TSB2000 09 DSHT	127,2 (5.01)	101,5 (4.06)
10	TSB2000 10 DSHT	141,7 (5.58)	116 (4.57)
11	TSB2000 11 DSHT	156,2 (6.15)	130,5 (5.14)
12	TSB2000 12 DSHT	170,7 (6.72)	145 (5.71)

Note: 5,000 piece minimum order.



**14.5MM PITCH, 65A
HIGH VOLTAGE VERSION
SERIES TSB2000...US**



PHYSICAL PROPERTIES

Housing:

HOUSING MATERIAL: Polyamide 6

FLAMMABILITY: UL94V-2

COLOR: Natural (off white)

Terminal:

TUBULAR CONTACT: Brass, tin plated

SCREW: Steel, M3.5

SCREW PLATING: Zinc with chromate

WIRE PROTECTOR: Stainless Steel

Mechanical:

PITCH (TERMINAL SPACING): 14.5mm (.571")

WIRE STRIP LENGTH: 9mm (.35")

MIN. WIRE PULL-OUT FORCE: 150 LBS.

RECOMMENDED TIGHTENING TORQUE: 12 in.-lbs.

RECOMMENDED SCREWDRIVERS: Stanley 1008,
Sears Craftsman 41436, Xcelite R3164

ELECTRICAL PROPERTIES:

MAXIMUM CURRENT: 65A (UR), 70A (CSA)

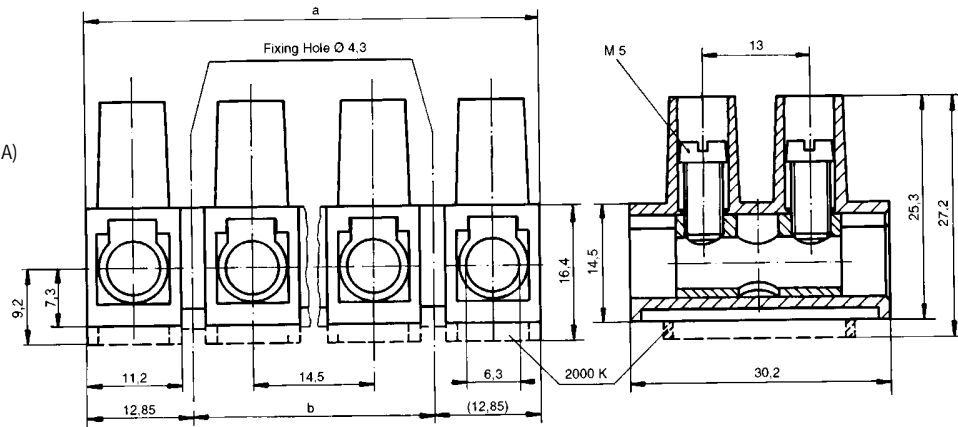
OPERATING VOLTAGE: 600V

WIRE RANGE: 6-14 AWG (UR), 6-22 AWG (CSA)

DIELECTRIC WITHSTAND: 6000V

ENVIRONMENTAL PROPERTIES:

CONTINUOUS WORKING TEMPERATURE: 105°C



Ordering Information

NO. OF POS.	CATALOG NUMBER WIRE PROTECTOR	A	B
1	TSB2000 01DSUS	11,2 (.44)	—
2	TSB2000 02DSUS	25,7 (1.01)	—
3	TSB2000 03DSUS	40,2 (1.58)	14,5 (.57)
4	TSB2000 04DSUS	54,7 (2.15)	29 (1.14)
5	TSB2000 05DSUS	69,2 (2.72)	43,5 (1.71)
6	TSB2000 06DSUS	83,7 (3.30)	58 (2.28)
7	TSB2000 07DSUS	98,2 (3.87)	72,5 (2.85)
8	TSB2000 08DSUS	112,7 (4.44)	87 (3.43)
9	TSB2000 09DSUS	127,2 (5.01)	101,5 (4.06)
10	TSB2000 10DSUS	141,7 (5.58)	116 (4.57)
11	TSB2000 11DSUS	156,2 (6.15)	130,5 (5.14)
12	TSB2000 12DSUS	170,7 (6.72)	145 (5.71)