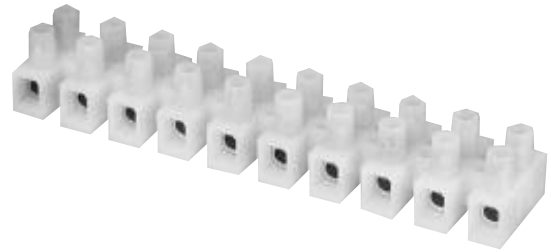


**12MM PITCH, 40A  
WITH WIRE PROTECTOR  
SERIES TSB1000**



**PHYSICAL PROPERTIES**

**Housing:**

HOUSING MATERIAL: Polyamide 6  
FLAMMABILITY: UL94V-2  
COLOR: Natural (off white)

**Terminal:**

TUBULAR CONTACT: Brass, tin plated  
SCREW: Steel, M3.5  
SCREW PLATING: Zinc with chromate  
WIRE PROTECTOR: Stainless steel

**Mechanical:**

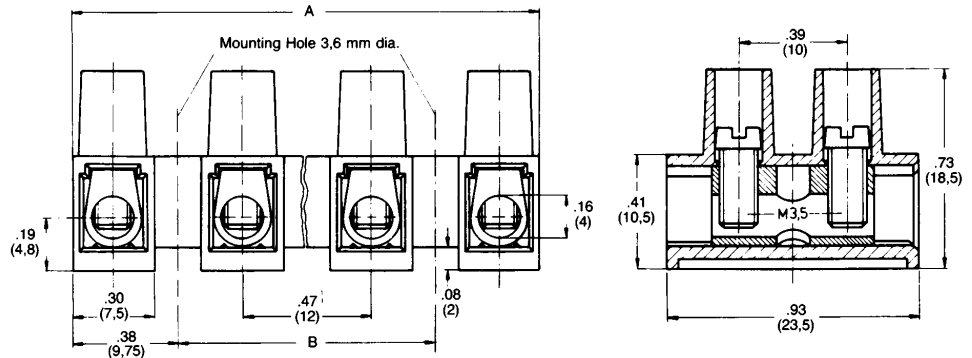
PITCH (TERMINAL SPACING): 12mm (.472")  
WIRE STRIP LENGTH: 7mm (.28")  
MIN. WIRE PULL-OUT FORCE: 125 LBS.  
RECOMMENDED TIGHTENING TORQUE: 10 in.- lbs.  
RECOMMENDED SCREWDRIVERS: Stanley 1016,  
Sears Craftsman 41429, Xcelite R184

**ELECTRICAL PROPERTIES:**

MAXIMUM CURRENT: 40A  
OPERATING VOLTAGE: 250V  
WIRE RANGE: 10-24 AWG  
DIELECTRIC WITHSTAND: 4500V

**ENVIRONMENTAL PROPERTIES:**

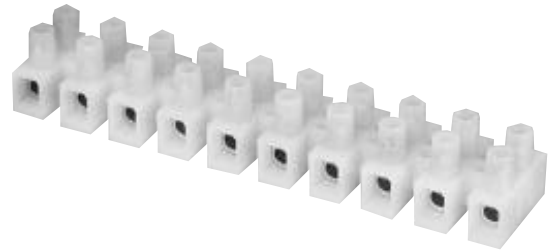
CONTINUOUS WORKING TEMPERATURE: 105°C



**Ordering Information**

NO. OF POS.	CATALOG NUMBER WIRE PROTECTOR	A	B
1	TSB1000 01DS	7,5 (.30)	—
2	TSB1000 02DS	19,5 (.77)	—
3	TSB1000 03DS	31,5 (1.24)	12 (.47)
4	TSB1000 04DS	43,5 (1.71)	24 (.95)
5	TSB1000 05DS	55,5 (2.19)	36 (1.42)
6	TSB1000 06DS	67,5 (2.66)	48 (1.89)
7	TSB1000 07DS	79,5 (3.13)	60 (2.36)
8	TSB1000 08DS	91,5 (3.60)	72 (2.84)
9	TSB1000 09DS	103,5 (4.07)	84 (3.31)
10	TSB1000 10DS	115,5 (4.55)	96 (3.78)
11	TSB1000 11DS	127,5 (5.02)	108 (4.25)
12	TSB1000 12DS	139,5 (5.49)	120 (4.72)

**12MM PITCH, 50A  
WITH TUNNEL CONNECTION  
SERIES TSB1000**



**PHYSICAL PROPERTIES**

**Housing:**

HOUSING MATERIAL: Polyamide 6  
FLAMMABILITY: UL94V-2  
COLOR: Natural (off white)

**Terminal:**

TUBULAR CONTACT: Brass, tin plated  
SCREW: Steel, M3.5  
SCREW PLATING: Zinc with chromate

**Mechanical:**

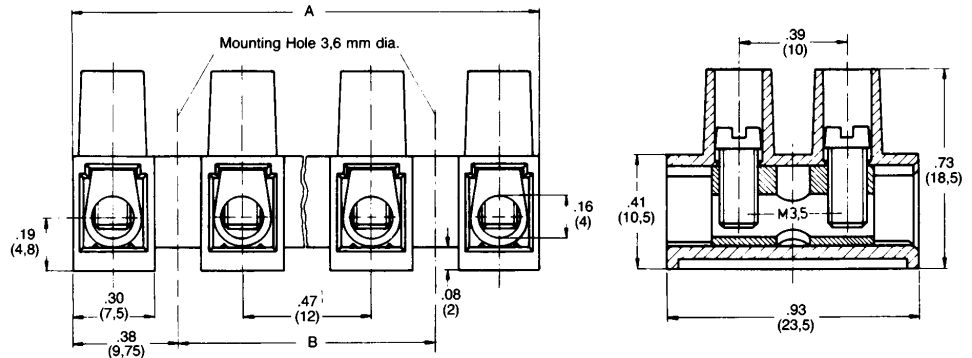
PITCH (TERMINAL SPACING): 12mm (.472")  
WIRE STRIP LENGTH: 7mm (.28")  
MIN. WIRE PULL-OUT FORCE: 125 LBS.  
RECOMMENDED TIGHTENING TORQUE: 10 in.- lbs.  
RECOMMENDED SCREWDRIVERS: Stanley 1016,  
Sears Craftsman 41429, Xcelite R184

**ELECTRICAL PROPERTIES:**

MAXIMUM CURRENT: 50A  
OPERATING VOLTAGE: 250V  
WIRE RANGE: 8-22 AWG  
DIELECTRIC WITHSTAND: 4500V

**ENVIRONMENTAL PROPERTIES:**

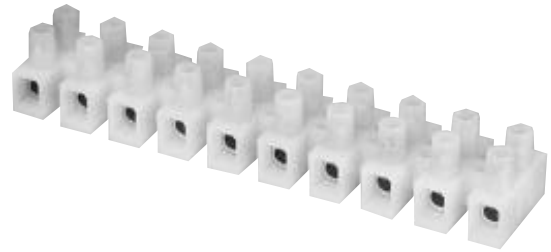
CONTINUOUS WORKING TEMPERATURE: 105°C



**Ordering Information**

NO. OF POS.	CATALOG NUMBER TUNNEL CONNECTION	A	B
1	TSB1000 01	7,5 (.30)	—
2	TSB1000 02	19,5 (.77)	—
3	TSB1000 03	31,5 (1.24)	12 (.47)
4	TSB1000 04	43,5 (1.71)	24 (.95)
5	TSB1000 05	55,5 (2.19)	36 (1.42)
6	TSB1000 06	67,5 (2.66)	48 (1.89)
7	TSB1000 07	79,5 (3.13)	60 (2.36)
8	TSB1000 08	91,5 (3.60)	72 (2.84)
9	TSB1000 09	103,5 (4.07)	84 (3.31)
10	TSB1000 10	115,5 (4.55)	96 (3.78)
11	TSB1000 11	127,5 (5.02)	108 (4.25)
12	TSB1000 12	139,5 (5.49)	120 (4.72)

**12MM PITCH, 40A  
HIGH TEMPERATURE  
SERIES TSB1000...HT**



**PHYSICAL PROPERTIES**

**Housing:**

HOUSING MATERIAL: Polyamide 6/6

FLAMMABILITY: UL94V-0

COLOR: Brown

**Terminal:**

TUBULAR CONTACT: Brass, tin plated

SCREW: Steel, M3.5

SCREW PLATING: Zinc with chromate

WIRE PROTECTOR: Stainless steel

**Mechanical:**

PITCH (TERMINAL SPACING): 12mm (.472")

WIRE STRIP LENGTH: 7mm (.28")

MIN. WIRE PULL-OUT FORCE: 125 LBS.

RECOMMENDED TIGHTENING TORQUE: 10 in.- lbs.

RECOMMENDED SCREWDRIVERS: Stanley 1016,  
Sears Craftsman 41429, Xcelite R184

**ELECTRICAL PROPERTIES:**

MAXIMUM CURRENT: 40A

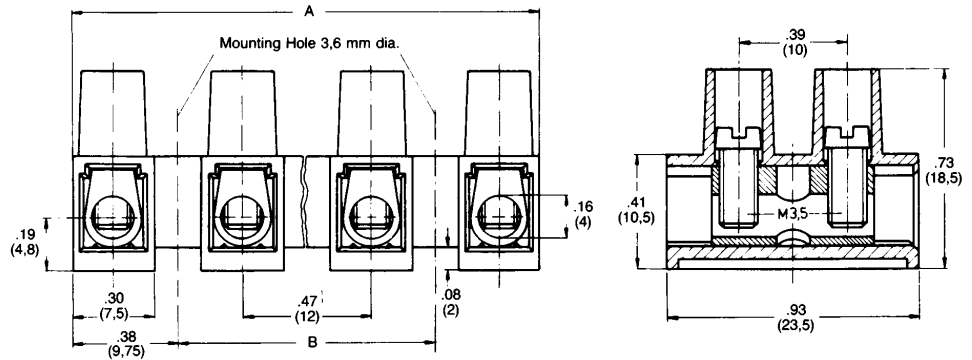
OPERATING VOLTAGE: 250V

WIRE RANGE: 10-24 AWG

DIELECTRIC WITHSTAND: 4500V

**ENVIRONMENTAL PROPERTIES:**

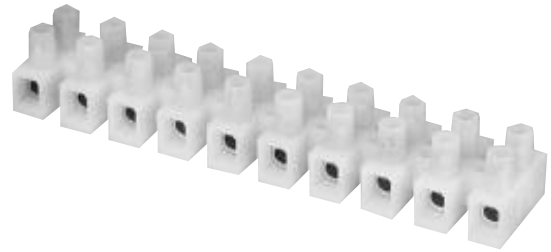
CONTINUOUS WORKING TEMPERATURE: 150°C



**Ordering Information**

NO. OF POS.	CATALOG NUMBER WIRE PROTECTOR	A	B
1	TSB1000 01DS HT	7,5 (.30)	—
2	TSB1000 02DS HT	19,5 (.77)	—
3	TSB1000 03DS HT	31,5 (1.24)	12 (.47)
4	TSB1000 04DS HT	43,5 (1.71)	24 (.95)
5	TSB1000 05DS HT	55,5 (2.19)	36 (1.42)
6	TSB1000 06DS HT	67,5 (2.66)	48 (1.89)
7	TSB1000 07DS HT	79,5 (3.13)	60 (2.36)
8	TSB1000 08DS HT	91,5 (3.60)	72 (2.84)
9	TSB1000 09DS HT	103,5 (4.07)	84 (3.31)
10	TSB1000 10DS HT	115,5 (4.55)	96 (3.78)
11	TSB1000 11DS HT	127,5 (5.02)	108 (4.25)
12	TSB1000 12DS HT	139,5 (5.49)	120 (4.72)

**12MM PITCH, 40A  
HIGH VOLTAGE VERSION  
SERIES 1000...US**



**PHYSICAL PROPERTIES**

**Housing:**

HOUSING MATERIAL: Polyamide 6

FLAMMABILITY: UL94V-2

COLOR: Natural (off white)

**Terminal:**

TUBULAR CONTACT: Brass, tin plated

SCREW: Steel, M3.5

SCREW PLATING: Zinc with chromate

WIRE PROTECTOR: Stainless steel

**Mechanical:**

PITCH (TERMINAL SPACING): 12mm (.472")

WIRE STRIP LENGTH: 7mm (.28")

MIN. WIRE PULL-OUT FORCE: 125 LBS.

RECOMMENDED TIGHTENING TORQUE: 10 in.- lbs.

RECOMMENDED SCREWDRIVERS: Stanley 1016,  
Sears Craftsman 41429, Xcelite R184

**ELECTRICAL PROPERTIES:**

MAXIMUM CURRENT: 40A

OPERATING VOLTAGE: 600V

**WIRE RANGE:**

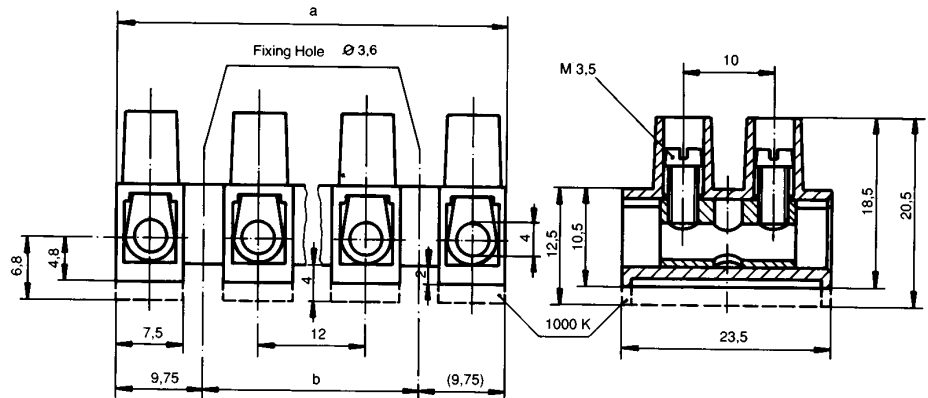
Wire Protector: 10-24 AWG

Tunnel Connection: 8-22 AWG

DIELECTRIC WITHSTAND: 4500V

**ENVIRONMENTAL PROPERTIES:**

CONTINUOUS WORKING TEMPERATURE: 105°C



**Ordering Information**

NO. OF POS.	CATALOG NUMBER TUNNEL CONNECTION	CATALOG NUMBER WIRE PROTECTOR	A	B
1	TSB1000 01US	TSB1000 01DSUS	7,5	—
2	TSB1000 02US	TSB1000 02DSUS	19,5	—
3	TSB1000 03US	TSB1000 03DSUS	31,5	12
4	TSB1000 04US	TSB1000 04DSUS	43,5	24
5	TSB1000 05US	TSB1000 05DSUS	55,5	36
6	TSB1000 06US	TSB1000 06DSUS	67,5	48
7	TSB1000 07US	TSB1000 07DSUS	79,5	60
8	TSB1000 08US	TSB1000 08DSUS	91,5	72
9	TSB1000 09US	TSB1000 09DSUS	103,5	84
10	TSB1000 10US	TSB1000 10DSUS	115,5	96
11	TSB1000 11US	TSB1000 11DSUS	127,5	108
12	TSB1000 12US	TSB1000 12DSUS	139,5	120