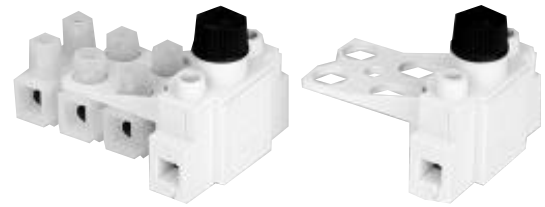


**FUSE HOLDER
(FOR SERIES TSB500, TSB1000)
SERIES 500 Si**



DESCRIPTION

Series 500Si:

Two versions mate with TSB500 and TSB1000 to provide a fuse holder for 5 x 20mm or 5mm x 25mm fuses. These connectors comply with VDE 0820, part 2.

Series 500 Si...K:

Same as the standard series but provides a raised, transparent "bayonet catch" which serves as a Fuse Link Carrier for fuses 5 x 25mm (with indicator).

PHYSICAL PROPERTIES

Housing:

HOUSING MATERIAL: Polyamide 6/6

COLOR: Gray

Terminal:

TUBULAR CONTACT: Brass, tin plated

SCREW: Steel

SCREW PLATING: Zinc with chromate

Mechanical:

PITCH (TERMINAL SPACING): 10mm and 12mm

WIRE STRIP LENGTH: 6.5mm

ELECTRICAL PROPERTIES:

MAXIMUM CURRENT:

To VDE 0820: 10A

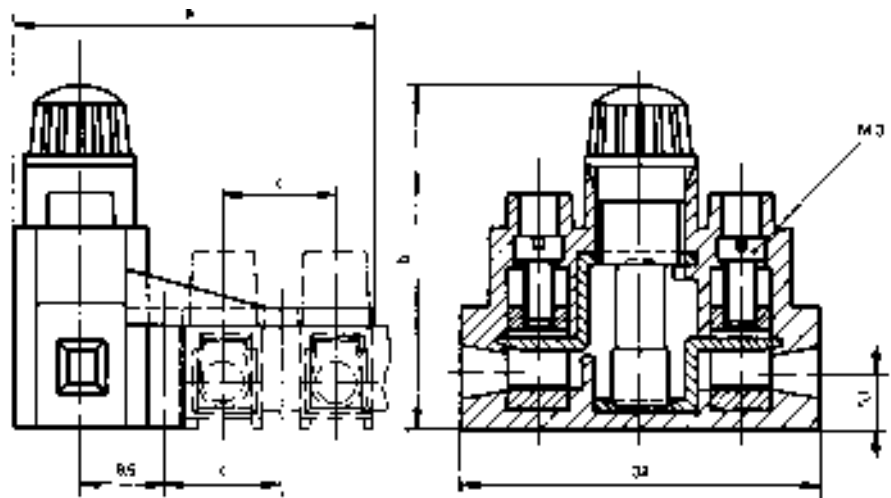
To VDE 070010711: 10A

OPERATING VOLTAGE: 250V

WIRE RANGE: 12-22 AWG

ENVIRONMENTAL PROPERTIES:

CONTINUOUS WORKING TEMPERATURE: 100°C



Ordering Information

DESCRIPTION	CATALOG NUMBER	A	B	C
For TSB500 Series	500Si 5	35	29	10
For TSB1000 Series	500Si 10	37	30	12
w/ Fuse Link Carrier for TSB500 Series	500Si 5K	35	34	10
w/ Fuse Link Carrier for TSB1000 Series	500Si 10K	37	35	12

**COVERS
SERIES ABK**

PHYSICAL PROPERTIES

Housing:

HOUSING MATERIAL: Polyamide 6/6

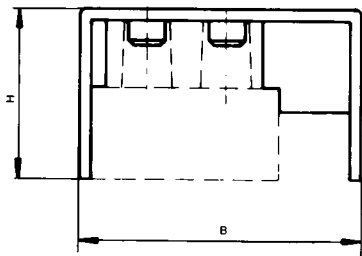
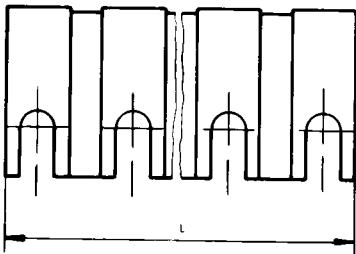
COLOR: Gray

CONTINUOUS WORKING TEMPERATURE: 100°C



SERIES ABK 405, 406, & 415 COVERS

These covers mate with Series TSB500, TSB1000 and TSB1500. They do not mate with TSB500 SK.



Cover for TSB500 Series

CATALOG #	DIMENSIONS L X W X H
ABK 405 02	18 x 29 x 18.8
ABK 405 03	28 x 29 x 18.8
ABK 405 04	38 x 29 x 18.8
ABK 405 06	58 x 29 x 18.8
ABK 405 12	118 x 29 x 18.8

Cover for TSB1000 Series

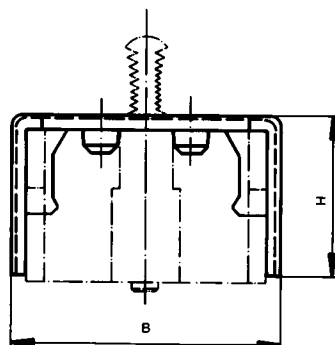
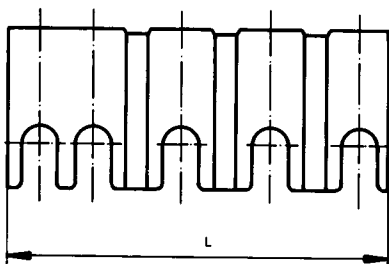
CATALOG #	DIMENSIONS L X W X H
ABK 406 02	21 x 35.5 x 20.7
ABK 406 03	33 x 35.5 x 20.7
ABK 406 04	45 x 35.5 x 20.7
ABK 406 06	69 x 35.5 x 20.7
ABK 406 12	141 x 35.5 x 20.7

Cover for TSB1500 Series

CATALOG #	DIMENSIONS L X W X H
ABK 415 02	24 x 37.5 x 25.5
ABK 415 03	37.5 x 37.5 x 25.5
ABK 415 04	51 x 37.5 x 25.5
ABK 415 06	78 x 37.5 x 25.5
ABK 415 12	158 x 37.5 x 25.5

SERIES ABK 503 COVERS

These covers mate with Series 503Si.



Cover for 503 Si Series

CATALOG #	DIMENSIONS L X W X H
ABK 503 02	13.5 x 30.5 x 18.5
ABK 503 03	24 x 30.5 x 18.5
ABK 503 04	33.5 x 30.5 x 18.5
ABK 503 05	43 x 30.5 x 18.5

**STRAIN RELIEF
(FOR SERIES TSB500)
SERIES 500...ZEL**

DESCRIPTION

Strain reliefs are provided with a captive clamping mechanism that can be rotated by 180° accommodating variable sizes of conductors. Two Phillips screws are enclosed.



A cable guide comb for TSB500 of 3 or more circuits fixes the Europa block to the strain relief. A screw mounts the Europa block to the 500 3ZEL; a catch pin mounts the block to the 500 3ZELRZ

PHYSICAL PROPERTIES

Housing:

HOUSING MATERIAL: Polyamide 6/6

COLOR: White

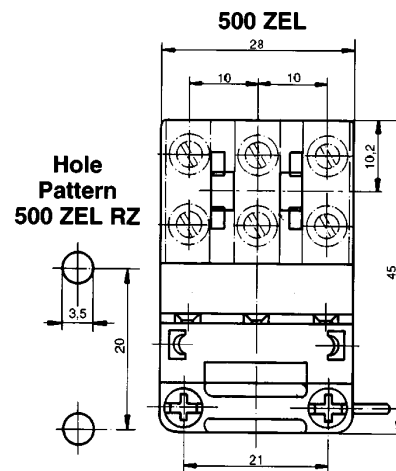
TRACKING RESISTANCE: CTI 600

SCREW: Steel

SCREW PLATING: Zinc with yellow chromate
C 2,9 x 13mm

ENVIRONMENTAL PROPERTIES:

CONTINUOUS WORKING TEMPERATURE: 100°C



Ordering Information

CATALOG NUMBER	DESCRIPTION
500 3ZEL	For Series TSB500
500 3ZELRZ	With Catch Pin for Series TSB500

**BLANK MARKING LABELS
SERIES...BZ
2-12 CIRCUITS**

DESCRIPTION

Each pole is provided with 2 holes allowing the marking labels to be slipped on the "chimney" tops, and with a mounting hole corresponding to the mounting hole of the connectors.

Marking Strips:

Series TSB Marking Strips are available in both Standard and Custom-cut lengths. Standard Marking Strips are supplied blank. Custom Marking Strips are supplied pre-cut, and may be ordered blank or with printing. Marking Strips protrude from the barrier strip approximately 5mm on one side, and can be affixed to either the bottom or the top of the barrier strip. A felt-tip marking pen, CAT. No. 99-BU, is recommended for marking.

Standard Marking Strips:

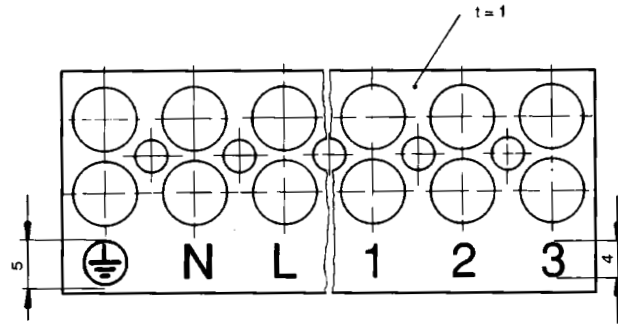
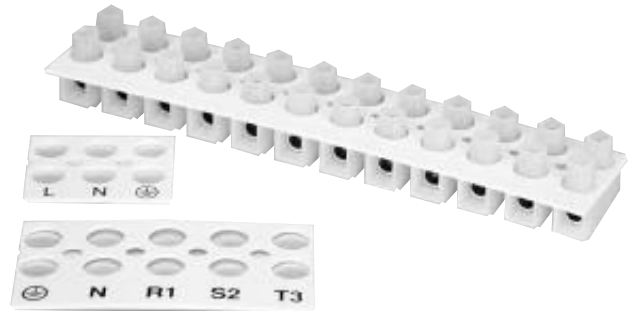
Standard Marking Strips are supplied blank, 2 meter in length which the customer may cut to suit individual length requirement.

PHYSICAL PROPERTIES

MATERIAL: Roughened synthetic

COLOR: White

THICKNESS: 1mm



Ordering Information

	TSB230 SERIES	TSB500 31SERIES	TSB1000 SERIES	TSB1500 SERIES	TSB2000 SERIES
Catalog No.	230 BZM	500 BZM	1000 BZM	1500 BZM	2000 BZM

STANDARD PACKAGE: 100 pieces per catalog number, 2 meter length

Ordering Information

	TSB230 SERIES	TSB500 SERIES	TSB1000 SERIES	TSB1500 SERIES	TSB2000 SERIES
	M230 BZ 02	M500 BZ 02	M1000 BZ 02	M1500 BZ 02	M2000 BZ 02
	M230 BZ 03	M500 BZ 03	M1000 BZ 03	M1500 BZ 03	M2000 BZ 03
	M230 BZ 04	M500 BZ 04	M1000 BZ 04	M1500 BZ 04	M2000 BZ 04
	M230 BZ 05	M500 BZ 05	M1000 BZ 05	M1500 BZ 05	M2000 BZ 05
	M230 BZ 06	M500 BZ 06	M1000 BZ 06	M1500 BZ 06	M2000 BZ 06
	M230 BZ 07	M500 BZ 07	M1000 BZ 07	M1500 BZ 07	M2000 BZ 07
	M230 BZ 08	M500 BZ 08	M1000 BZ 08	M1500 BZ 08	M2000 BZ 08
	M230 BZ 09	M500 BZ 09	M1000 BZ 09	M1500 BZ 09	M2000 BZ 09
	M230 BZ 10	M500 BZ 10	M1000 BZ 10	M1500 BZ 10	M2000 BZ 10
	M230 BZ 11	M500 BZ 11	M1000 BZ 11	M1500 BZ 11	M2000 BZ 11
	M230 BZ 12	M500 BZ 12	M1000 BZ 12	M1500 BZ 12	M2000 BZ 12

STANDARD PACKAGE: 250 pieces per catalog number