

**10MM PITCH  
FUSED TERMINAL BLOCKS  
SERIES 503 Si**



**DESCRIPTION**

Series 503 Si & 503 Si...DS version of TSB500 Series with an integrated fuse holder for 5 x 20mm fuses. Protection against unintentional touch of live parts to VBG4 and VDE 0106, part 100 and VDE 0470, part 1.  
Series 503 Si...E & 503 Si...EDS includes a ground connection.

**PHYSICAL PROPERTIES**

**Housing:**

HOUSING MATERIAL: Polyamide 6/6  
COLOR: Gray, handle is black  
Terminal:

TUBULAR CONTACT: Brass, tin plated  
SCREW: Steel

SCREW PLATING: Zinc with chromate

WIRE PROTECTOR: Stainless steel

CONTACTS FOR FUSES: Stainless steel spring

TUNNEL CONNECTION: Without wire protector

**Mechanical:**

PITCH (TERMINAL SPACING): 10mm (.393")  
WIRE STRIP LENGTH: 7mm (.276")

**ELECTRICAL PROPERTIES:**

**MAXIMUM CURRENT:**

- To VDE 820: Fuse Holder 10A
- To VDE 0100: Terminal Blocks 26A
- To VDE 0700/0711: Terminal Blocks 10A

**OPERATING VOLTAGE:**

- Fuse Holder: 250V
- Terminal Blocks: 400V

**WIRE RANGE:**

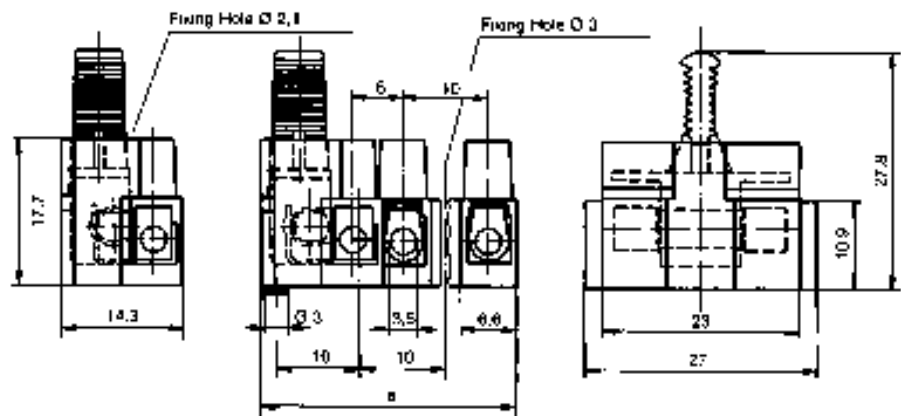
- Wire Protector: 12-22 AWG
- Tunnel Connection: 12-22 AWG

**ENVIRONMENTAL PROPERTIES:**

CONTINUOUS WORKING TEMPERATURE: 100°C

500 Si/1 (1 Circuit)

503 Si (2-5 Circuits)



**Ordering Information**

NO. OF POS.	CATALOG # TUNNEL CONNECTION	CATALOG # WIRE PROTECTOR	CATALOG #		A
			TUNNEL CONNECTION GROUNDED	WIRE PROTECTOR GROUNDED	
1	503Si 1	503Si 1DS	—	—	14,3
2	503Si 2	503Si 2DS	—	—	20
3	503Si 3	503Si 3DS	503Si 3E	503Si 3EDS	30
4	503Si 4	503Si 4DS	503Si 4E	503Si 4EDS	40
5	503Si 5	503Si 5DS	503Si 5E	503Si 5EDS	50