

5MM DOUBLE DECKER CONNECTORS WITH CAGE CLAMP SERIES B07

PHYSICAL PROPERTIES

Housing:

HOUSING MATERIAL: Polybutylene terephthalate (PBTP), GV 20

FLAMMABILITY: UL94V-0

COLOR: Blue or Black

Terminal:

CAGE CLAMP AND SOLDER PIN: Brass, tin plated

SCREW: M3 x 4,3mm, steel, zinc plated, yellow chromate treated

Mechanical:

PITCH (TERMINAL SPACING): 5mm and 10mm

RECOMMENDED PCB HOLE DIA.: -1,4mm

WIRE STRIP LENGTH: 6,5mm - 7,0mm

RECOMMENDED TIGHTENING TORQUE: 0.8Nm (7.0 in-lbs)

ELECTRICAL PROPERTIES

MAXIMUM CURRENT: 16A

OPERATING VOLTAGE: 300V

WIRE RANGE: 12-22 AWG

DIELECTRIC WITHSTAND: 16 KV/mm

ENVIRONMENTAL PROPERTIES

OPERATING TEMPERATURE RANGE:

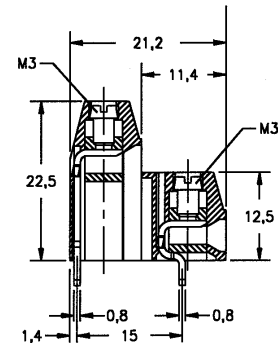
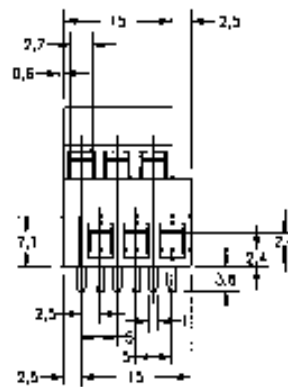
-30°C to +120°C Gold and Silver contact system

-30°C to +105°C Tin contact system



5mm and 10mm Pitch

B07C4V (vertical solder pins)



Ordering Information

# OF TERMINALS	5MM VERTICAL	# OF TERMINALS	10MM VERTICAL
4	B07C4V02T	2	B07C5V02T
6	B07C4V03T	4	B07C5V03T
8	B07C4V04T		
10	B07C4V05T		
12	B07C4V06T		
14	B07C4V07T		
16	B07C4V08T		
18	B07C4V09T		
20	B07C4V10T		
22	B07C4V11T		
24	B07C4V12T		

NOTE: Add "B" suffix for black color. Minimum order 5000 pieces.



LR28387 E63810

BUCHANAN

5MM DOUBLE DECKER CONNECTORS WITH CAGE CLAMP SERIES 5LEEV

PHYSICAL PROPERTIES

Housing:

HOUSING MATERIAL: Thermoplastic, UL recognized

FLAMMABILITY: UL94V-0

COLOR: Green or Black

Terminal:

CONTACTS: Bright acid-tin plated copper alloy

SOLDERABILITY: MIL STD 202, Method 208

CAGE CLAMP & SOLDER PIN: Zinc plated steel with yellow chromate coating

SCREWS: Zinc plated steel with yellow chromate coating, M2.5

Mechanical:

PITCH (TERMINAL SPACING): 5mm

RECOMMENDED PCB HOLE DIA.: 0.062" Dia.

RECOMMENDED TIGHTENING TORQUE: 4.5 in. lb.

ELECTRICAL PROPERTIES

RATING: 10 Amps, 300 volts/15 amps, 150 volts (limited ratings)

WIRE RANGE: 14-28 AWG (solid or stranded)

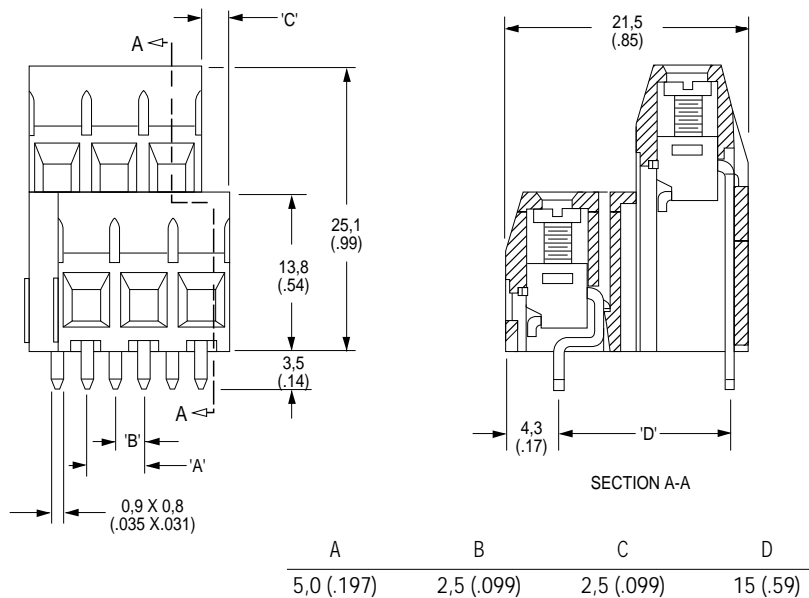
ENVIRONMENTAL PROPERTIES

MAX. OPERATING TEMPERATURE: 105° C.



5mm Pitch

5LEEV (vertical solder pins)



Ordering Information

# OF TERMINALS	5MM VERTICAL GREEN	5MM VERTICAL BLACK
04	5LEEV-04	5LEEV-04-1
06	5LEEV-06	5LEEV-06-1
08	5LEEV-08	5LEEV-08-1
10	5LEEV-10	5LEEV-10-1
12	5LEEV-12	5LEEV-12-1
14	5LEEV-14	5LEEV-14-1
16	5LEEV-16	5LEEV-16-1
18	5LEEV-18	5LEEV-18-1
20	5LEEV-20	5LEEV-20-1
22	5LEEV-22	5LEEV-22-1
24	5LEEV-24	5LEEV-24-1

