

5,08MM DOUBLE DECKER CONNECTORS WITH CAGE CLAMP SERIES 2LEEV

PHYSICAL PROPERTIES

Housing:

HOUSING MATERIAL: Thermoplastic

FLAMMABILITY: UL94V-0

COLOR: Green or Black

Terminal:

SOLDER PINS: Bright acid-tin plated copper alloy

CAGE CLAMP: Zinc plated steel with yellow chromate coating

SCREW: Zinc plated steel with yellow chromate coating, M2.5

SOLDERABILITY: MIL STD 202, Method 208

Mechanical:

PITCH (TERMINAL SPACING): 5,08mm

RECOMMENDED PCB HOLE DIA.: 0.062" Dia.

RECOMMENDED TIGHTENING TORQUE: 4.5 in. lb.

ELECTRICAL PROPERTIES

RATING: 10 Amps, 300 volts/15 amps, 150 volts (limited ratings)

WIRE RANGE: 14-28 AWG (solid or stranded)

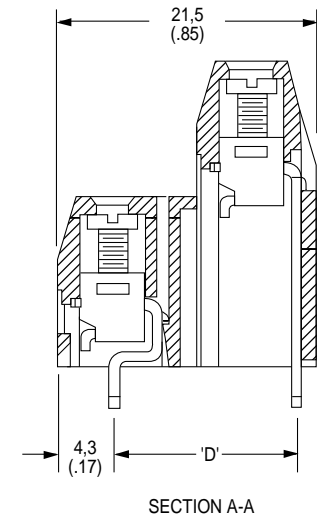
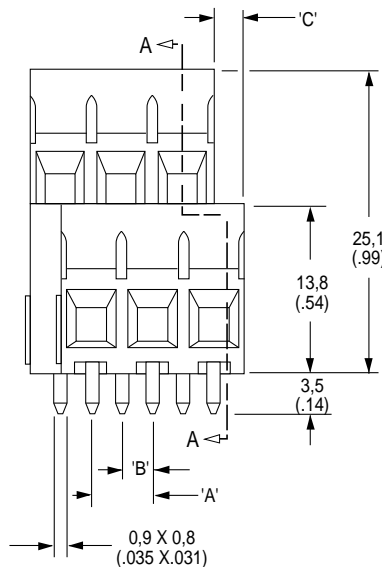
ENVIRONMENTAL PROPERTIES

MAX. OPERATING TEMPERATURE: 105° C.



5,08 mm Pitch

2LEEV (vertical solder pins)



A	B	C	D
5,08 (.200)	2,54 (.100)	2,54 (.100)	15 (.59)

Ordering Information

# OF TERMINALS	5,08MM VERTICAL GREEN	5,08MM VERTICAL BLACK
02	2LEEV-02	2LEEV-02-1
04	2LEEV-04	2LEEV-04-1
06	2LEEV-06	2LEEV-06-1
08	2LEEV-08	2LEEV-08-1
10	2LEEV-10	2LEEV-10-1
12	2LEEV-12	2LEEV-12-1
14	2LEEV-14	2LEEV-14-1
16	2LEEV-16	2LEEV-16-1
18	2LEEV-18	2LEEV-18-1
20	2LEEV-20	2LEEV-20-1
22	2LEEV-22	2LEEV-22-1
24	2LEEV-24	2LEEV-24-1



LR30811 E54800

