

0.250" STANDARD CONNECTORS WITH CAGE CLAMP SERIES 25EV

PHYSICAL PROPERTIES

Housing:

HOUSING MATERIAL: Thermoplastic, polyester

FLAMMABILITY: UL94V-0

COLOR: Green or Black

Terminal:

CONTACTS: Bright acid-tin plated copper alloy

SOLDERABILITY: MIL STD 202, Method 208

CAGE CLAMP: Zinc plated steel with yellow chromate coating

SCREWS: Zinc plated steel with yellow chromate coating, M3 rating

Terminal:

PITCH (TERMINAL SPACING): 0.250"

RECOMMENDED PCB HOLE DIA.: 0.062" Dia.

RECOMMENDED TIGHTENING TORQUE: 5.0 lb. inch

ELECTRICAL PROPERTIES

RATING: 10 Amps, 300 volts/15 amps, 150 volts (limited ratings)

WIRE RANGE: 10-22 AWG (solid or stranded)

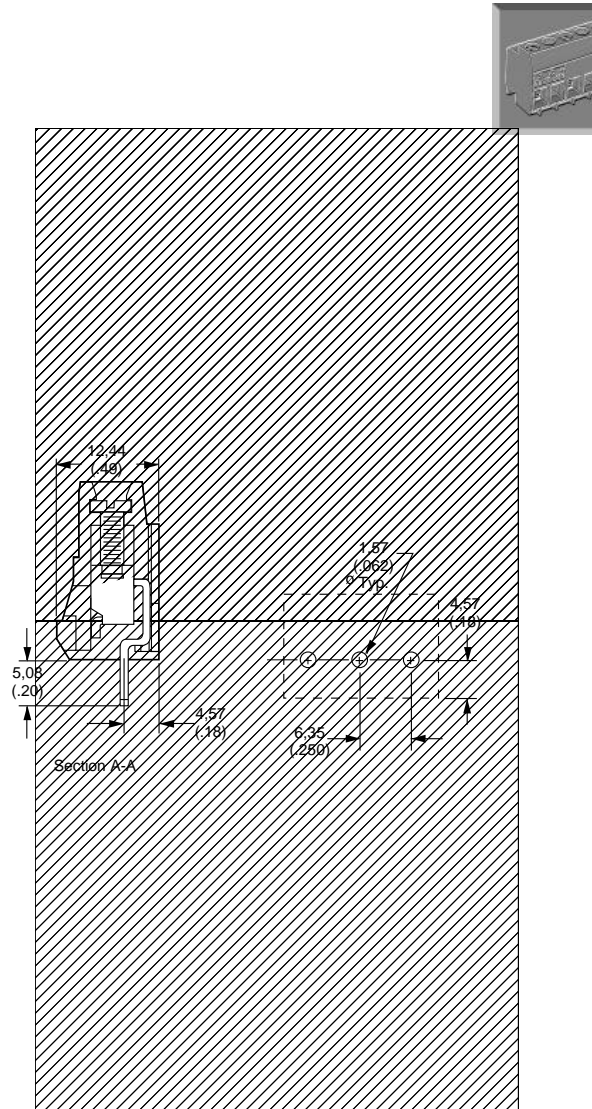
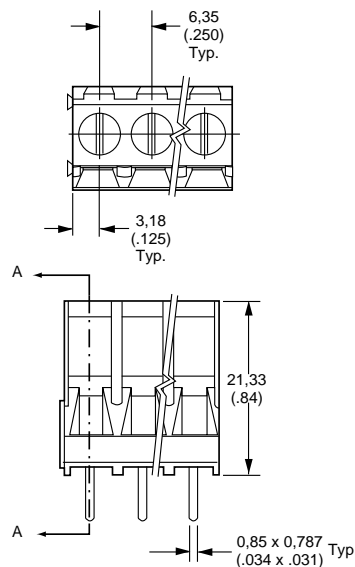
ENVIRONMENTAL PROPERTIES

MAX. OPERATING TEMPERATURE: 120° C.



.250" Pitch

25EV (vertical solder pins)



Ordering Information

# OF TERMINALS	.250" VERTICAL GREEN	.250" VERTICAL BLACK
2	25EV 25EV	25EV 25EV
3	25EV 25EV	25EV 25EV
4	25EV 25EV	25EV 25EV
5	25EV 25EV	25EV 25EV
6	25EV 25EV	25EV 25EV
7	25EV 25EV	25EV 25EV
8	25EV 25EV	25EV 25EV
9	25EV 25EV	25EV 25EV
10	25EV 25EV	25EV 25EV
11	25EV 25EV	25EV 25EV
12	25EV 25EV	25EV 25EV
13	25EV 25EV	25EV 25EV
14	25EV 25EV	25EV 25EV
15	25EV 25EV	25EV 25EV
16	25EV 25EV	25EV 25EV
17	25EV 25EV	25EV 25EV
18	25EV 25EV	25EV 25EV
19	25EV 25EV	25EV 25EV
20	25EV 25EV	25EV 25EV
21	25EV 25EV	25EV 25EV
22	25EV 25EV	25EV 25EV
23	25EV 25EV	25EV 25EV
24	25EV 25EV	25EV 25EV



LR30811 E54800

