

**0.156" PITCH  
PCB2B SERIES**

**PHYSICAL PROPERTIES**

**Housing**

HOUSING MATERIAL: Polyester  
FLAMMABILITY: UL94V-0  
COLOR: Black

**Terminal**

TUBULAR CONTACT: Brass  
PC CONTACT: Phosphor Bronze with Bright Tin or Gold over Nickel plating  
SCREW: Steel with Zinc + Chromate plating  
CLAMP: Brass

**Mechanical**

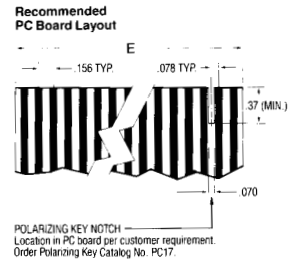
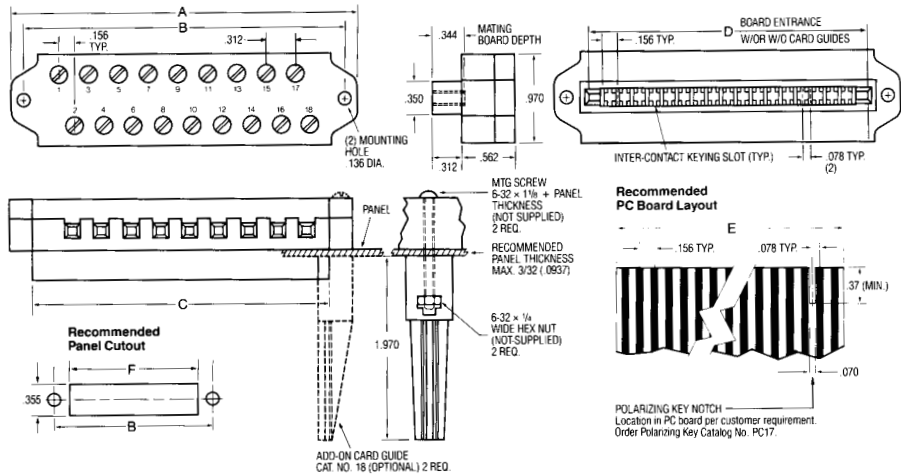
PITCH (TERMINAL SPACING): .156"  
SCREW SIZE: 6-32  
MOUNTING SCREW SIZE: #4 or #6  
WIRE STRIP LENGTH: .25"  
RECOMMENDED TIGHTENING TORQUE: 5-8 in-lbs.  
RECOMMENDED SCREWDRIVERS: Xcelite R184, Sears Craftsman 41429, Stanley 1016  
BOARD INSERTION FORCE (TYP.) PER CKT.: 5.6 oz. (160g)  
BOARD SEPARATION FORCE (TYP.) PER CKT.: 1.8 oz. (50g)  
DURABILITY: Passes MIL-C-21097: 500 cycles

**ELECTRICAL PROPERTIES**

MAXIMUM CURRENT: 10A  
OPERATING VOLTAGE: 250V  
WIRE RANGE: #12 Stranded Only  
DIELECTRIC WITHSTAND: 3000V  
INSULATION RESISTANCE: 10<sup>11</sup> ohms  
CONTACT RESISTANCE: 6 milliohms

**ENVIRONMENTAL PROPERTIES**

OPERATING TEMPERATURE RANGE:  
-65°C to +140°C  
(-85°F to +284°F)



**Ordering Information**

CATALOG #*	NO. OF CIRCUITS	A	B	C	D	E	F(MIN.)
PCB2B06S	06	1.786	1.536	1.264	1.100	1.085	1.284
PCB2B08S	08	2.098	1.848	1.576	1.412	1.397	1.596
PCB2B09S	09	2.254	2.004	1.732	1.568	1.553	1.752
PCB2B10S	10	2.410	2.160	1.888	1.724	1.709	1.908
PCB2B12S	12	2.722	2.472	2.200	2.036	2.021	2.220
PCB2B15S	15	3.190	2.940	2.668	2.504	2.489	2.688
PCB2B16S	16	3.346	3.096	2.824	2.660	2.645	2.844
PCB2B18S	18	3.658	3.408	3.136	2.972	2.957	3.156
PCB2B22S	22	4.282	4.032	3.760	3.596	3.581	3.780
PCB2B24S	24	4.594	4.344	4.072	3.908	3.893	4.092
PCB2B28S	28	5.218	4.968	4.696	4.532	4.517	4.716
PCB2B30S	30	5.530	5.280	5.008	4.844	4.829	5.028
PCB2B32S	32	5.842	5.592	5.320	5.156	5.141	5.340
PCB2B36S	36	6.466	6.216	5.944	5.780	5.765	5.964
PCB2B43S	43	7.558	7.308	7.036	6.872	6.857	7.056

\*NOTE: For optional Gold-over-Nickel plating on contacts (instead of standard bright tin), change the letter "S" of the catalog number to "A."



LR25557 E63810