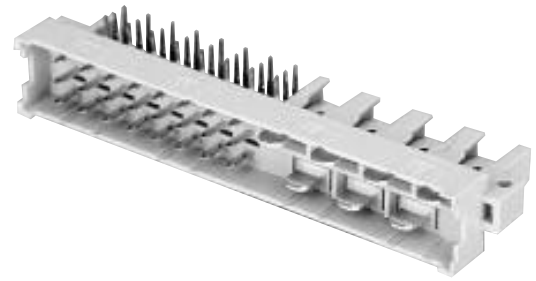


## SERIES F24+H7 (SERIES M) MALE CONNECTORS WITHOUT CODING DEVICE



### PHYSICAL PROPERTIES

HOUSING MATERIAL: PA  
COLOR: Beige  
FLAMMABILITY: UL94V-1  
INSULATING RESISTANCE:  $\geq 10^{12} \Omega$  (Type F)  
INSERTION/WITHDRAWAL FORCE: 80N Max.

### ELECTRICAL PROPERTIES

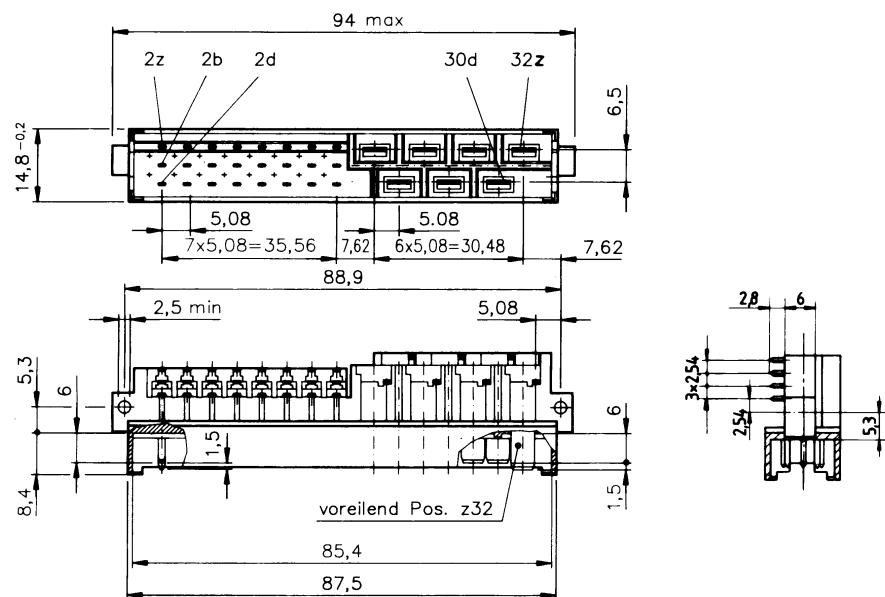
MAXIMUM CURRENT: Type F: 6A  
Type H: 15A  
(according to derating curve)  
OPERATING VOLTAGE: Type F: 125V  
Type H: 500V

### TEST VOLTAGE $V_{\text{int}}$ :

Type F: 1550V contact to contact  
Type H: 3100V contact to contact  
Type F: 2500V contact to mass  
Type H: 3100V contact to mass

### ENVIRONMENTAL PROPERTIES

OPERATING TEMPERATURE RANGE:  $-55^{\circ} \text{C}$  to  $125^{\circ} \text{C}$   
SOILING DEGREE PER VDE 0110: 3  
AIRSPACE: Type F:  $\geq 1,6 \text{mm}$ ; Type H:  $\geq 4,5 \text{mm}$   
LEAKAGE PATH: Type F:  $\geq 3 \text{mm}$ ; Type H:  $\geq 8 \text{mm}$   
CONTACT RESISTANCE: Type F:  $\leq 15 \text{m}\Omega$ ; Type H:  $\leq 8 \text{m}\Omega$



### Ordering Information

# OF CONTACTS (ROWS)	PERFORMANCE LEVEL	SOLDER PIN 90°	SOLDER PIN Ø° EXTENDED PIN POS. Z32	SOLDER Ø° (F PINS)		SOLDER Ø° (F PINS)	
				FASTON (H PINS)	EXTENDED PIN POS. Z32	FASTON (H PINS)	(1 X 1MM)
24 +7-Pin (z + b + d)	1	MM24 W-7W1	MM24 W-61W1	MM24 W-61FA1		MM24 W-7FA1	
	2	MM24 W-7W2	MM24 W-61W2	MM24 W-61FA2		MM24 W-7FA2	
	3	MM24 W-7W3	MM24 W-61W3	MM24 W-61FA3		MM24 W-7FA3	
16 +7-Pin (z + b grid 2, 54)	1	MM16 ZBW-7W1	MM16 ZBW-61W1	MM16 ZBW-61FA1		MM16 ZBW-7FA1	
	2	MM16 ZBW-7W2	MM16 ZBW-61W2	MM16 ZBW-61FA2		MM16 ZBW-7FA2	
	3	MM16 ZBW-7W3	MM16 ZBW-61W3	MM16 ZBW-61FA3		MM16 ZBW-7FA3	
16 +7-Pin (z + b/d grid 5, 08)	1	MM16 ZBDW-7W1	MM16 ZBDW-61W1	MM16 ZBDW-61FA1		MM16 ZBDW-7FA1	
	2	MM16 ZBDW-7W2	MM16 ZBDW-61W2	MM16 ZBDW-61FA2		MM16 ZBDW-7FA2	
	3	MM16 ZBDW-7W3	MM16 ZBDW-61W3	MM16 ZBDW-61FA3		MM16 ZBDW-7FA3	
16 +7-Pin (z + d)	1	MM16 ZDW-7W1	MM16 ZDW-61W1	MM16 ZDW-61FA1		MM16 ZDW-7FA1	
	2	MM16 ZDW-7W2	MM16 ZDW-61W2	MM16 ZDW-61FA2		MM16 ZDW-7FA2	
	3	MM16 ZDW-7W3	MM16 ZDW-61W3	MM16 ZDW-61FA3		MM16 ZDW-7FA3	