

## SERIES H11 SINGLE ROW, HALF SIZE FEMALE CONNECTOR

### PHYSICAL PROPERTIES

HOUSING MATERIAL: Polyester (PBTP)  
COLOR: Beige  
FLAMMABILITY RATING: UL94V-0

### ELECTRICAL PROPERTIES

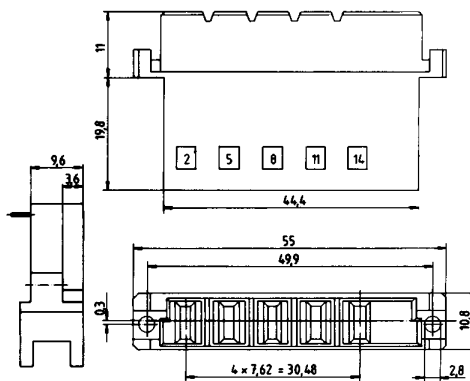
MAX. CURRENT: 20 A  
CONTACT SURFACE: Hard silver plated 6µm Ag or tinned  
PERFORMANCE LEVEL: 1  
CREEPING CURRENT PER DIN IEC 112: CTI 275/CTI 175 M  
TEST VOLTAGE: 50 Hz, 1 min.  
CONTACT TO CONTACT: 3100V  
CONTACT TO GROUND: 3100V

### ENVIRONMENTAL PROPERTIES

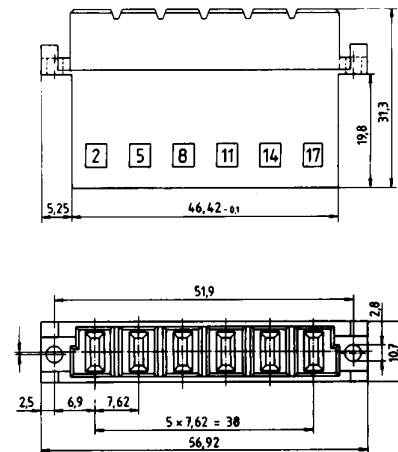
OPERATING TEMPERATURE RANGE: -65° C to 125° C  
AIR LEAKAGE DISTANCE: ≥4.5mm (contact/ground)  
CREEPAGE DISTANCE: ≥8.0mm (contact/ground)  
CONTACT RESISTANCE: ≤8.0m Ω  
INSULATION RESISTANCE: ≥10<sup>12</sup> Ω at 100 VDC



5 Contacts, 1 Blank



6 Contacts



### Ordering Information

# OF CONTACTS (LOADING)	CONTACT PLATING	SOLDER PIN 90°
5 + 1 blank	Silver Tinned	H11HF 5FA H11HF 5FAT
6	Silver Tinned	H11HF 6FA H11HF 6FAT

\*1V and 2V refer to extended pins for early contact. The position(s) where the pins are loaded are given in parenthesis.