

0.375" PITCH SERIES RSB6B SOCKET (FOR SERIES RSB6 TRI-BARRIER)

PHYSICAL PROPERTIES

HOUSING MATERIAL: Polyamide
FLAMMABILITY: UL94V-2
COLOR: Black

TERMINAL

TERMINALS: Copper alloy, bright tin plating
PIN: Copper alloy, bright tin plating

MECHANICAL

PITCH (TERMINAL SPACING): .375 in
RECOMMENDED PCB HOLE DIA.: .062"

ELECTRICAL PROPERTIES

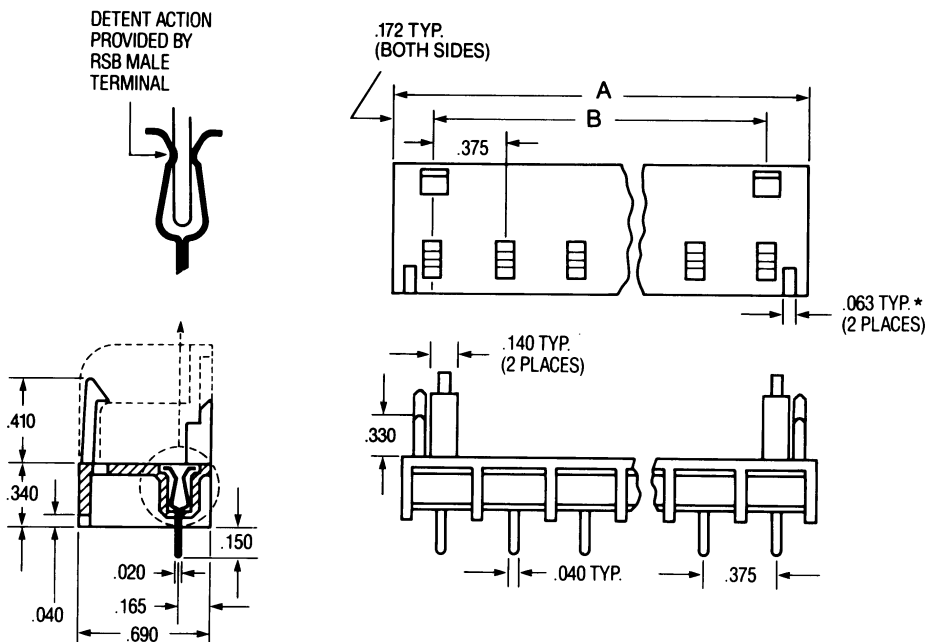
MAXIMUM CURRENT: 10A
OPERATING VOLTAGE: 300V
DIELECTRIC WITHSTAND: 3500V

ENVIRONMENTAL PROPERTIES

OPERATING TEMPERATURE RANGE: -60°C to +105°C
(-76°F to +221°F)



RSB6B06S



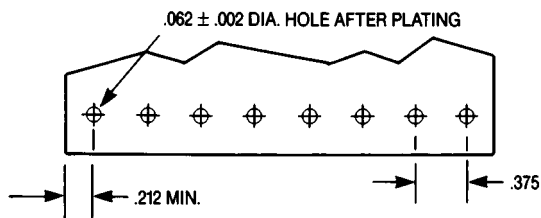
Dimensions

TERMINALS	A
5	(1.50) 38,1
6	(1.63) 41,3
6	(1.88) 47,6
7	(1.95) 49,5
7	(2.25) 57,2
8	(2.28) 57,8
8	(2.63) 66,7

Ordering Information

CATALOG NUMBER	NO. OF CIRCUITS	A IN.	B IN.
RSB6B02S	02	.720	.375
RSB6B03S	03	1.094	.750
RSB6B04S	04	1.469	1.125
RSB6B06S	06	2.219	1.875
RSB6B10S	10	3.720	3.375

NOTE: RSB Tri-Barrier Blocks should be ordered with Number 12 Terminal style (printed circuit pin, V mounting) when used in combination with this plug-in socket.



Recommended PCB Hole Pattern



LR50811 E63810