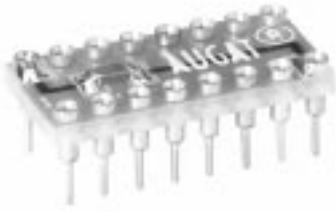


DS Series *Capacitor Socket With Four-Finger Contact*



DS1-316-1AR

FEATURES:

Augat has combined its four-finger high reliability contact with a surface mount capacitor and a circuit assembly to create a full line of decoupling (dual-in-line) sockets.

- Available in three lead termination styles, .125" (3,18) PC tail, .180" (4,57) PC tail and 3-level solderless wire wrap
- Reduces PCB utilized space by 12% to 15%
- Allows handling, inventory and installation of one component instead of two
- Available in three capacitor values: .01 μ F, .10 μ F and .33 μ F
- Optional assignment of voltage and ground available for custom decoupling requirements, consult factory

APPLICATION DIMENSIONS:

- PCB Hole Size Range: .055" \pm .003" (1,40 \pm 0,08) Solderless wrap
.035" \pm .003" (0,89 \pm 0,08) PC solder termination
- IC Pin Dimension Range: .016" to .021" (0,41 to 0,53) dia.
.105" (2,67) min. length

MATERIAL SPECIFICATIONS:

Insulator Glass epoxy
Outer Sleeve Machined brass/formed copper,
tin/lead or gold plated
Inner Contact Beryllium copper, gold over nickel
or tin/lead plated

PERFORMANCE SPECIFICATIONS:

MECHANICAL

Vibration Passed MIL-STD-1344, Method 2005.1, Cond. II
Shock Passed MIL-STD-1344, Method 2004.1, Cond. C
Durability Passed 50 cycles
Normal Force 115 Grams (4.1 Oz.) min. with .018" (0,46) dia.
polished steel pin (typ.)
Inner Contact
Retention 7.5 Lbs. per line average
Solderability Passed MIL-STD-202, Method 208
Insertion Force 179 Grams (6.3 oz.) average with .018" (0,46) dia.
polished steel pin
Withdrawal Force 63 Grams (2.2 oz.) average with .018" (0,46) dia.
polished steel pin

ELECTRICAL

Contact Resistance 10 Milliohms
Contact Rating 3 Amps
Capacitance 1.0 pF per MIL-STD-202F, Method 305
(adjacent contacts max.)
Insulation Resistance 5,000 Megohms @ 500 VDC per MIL-STD-1344,
Method 3003.1
Dielectric Withstanding
Voltage 1,000 VAC RMS per MIL-STD-1344,
Method 3001.1

ENVIRONMENTAL

Moisture Resistance Passed MIL-STD-202, Method 106
Temperature Cycling Passed MIL-STD-1344, Method 1003.1, Cond. A
Operation Temp.* +10°C to +85°C

* This temperature range applies to the capacitor only

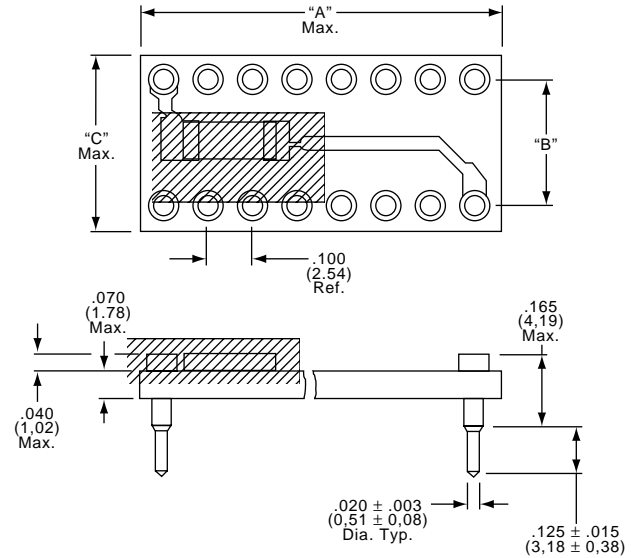
Capacitor Socket With Four-Finger Contact DS Series



STANDARD CONFIGURATIONS

Number of Contacts	A	B*	C	Number of Contacts	A	B*	C		
8	.400 (10,16)	.300 (7,62)	.400 (10,16)	24	1.200 (30,48)	.400 (10,16)	.500 (12,70)		
14	.700 (17,78)			24	1.200 (30,48)	.600 (15,24)	.700 (17,78)		
16	.800 (20,32)			28	1.400 (35,56)	.300 (7,62)	.400 (10,16)		
18	.900 (22,86)			28	1.400 (35,56)	.600 (15,24)	.700 (17,78)		
20	1.000 (25,40)			32	1.600 (40,64)				
22	1.100 (27,94)			40	2.000 (50,80)				
22	1.100 (27,94)			.400 (10,16)	.500 (12,70)	48	2.400 (60,96)		
24	1.200 (30,48)			.300 (7,62)	.400 (10,16)				

* Dimension B ± .005
(0,13)



HOW TO ORDER

.01µF Capacitor	.10µF Capacitor	.33µF Capacitor	Position	Centerline	Contact	Sleeve	
DS1-308-1AR	DS2-308-1AR	DS3-308-1AR	8	.300 (7,62)	Gold	Tin/Lead	
DS1-308-2AR	DS2-308-2AR	DS3-308-2AR			Gold	Gold	
DS1-314-1AR	DS2-314-1AR	DS3-314-1AR	14		Gold	Tin/Lead	
DS1-314-2AR	DS2-314-2AR	DS3-314-2AR			Gold	Gold	
DS1-316-1AR	DS2-316-1AR	DS3-316-1AR	16		Gold	Tin/Lead	
DS1-316-2AR	DS2-316-2AR	DS3-316-2AR			Gold	Gold	
DS1-318-1AR	DS2-318-1AR	DS3-318-1AR	18		Gold	Tin/Lead	
DS1-318-2AR	DS2-318-2AR	DS3-318-2AR			Gold	Gold	
DS1-320-1AR	DS2-320-1AR	DS3-320-1AR	20		Gold	Tin/Lead	
DS1-320-2AR	DS2-320-2AR	DS3-320-2AR			Gold	Gold	
DS1-322-1AR	DS2-322-1AR	DS3-322-1AR	22	Gold	Tin/Lead		
DS1-322-2AR	DS2-322-2AR	DS3-322-2AR		Gold	Gold		
DS1-324-1AR	DS2-324-1AR	DS3-324-1AR	24	Gold	Tin/Lead		
DS1-324-2AR	DS2-324-2AR	DS3-324-2AR		Gold	Gold		
DS1-422-1AR	DS2-422-1AR	DS3-422-1AR	22	.400 (10,16)	Gold	Tin/Lead	
DS1-422-2AR	DS2-422-2AR	DS3-422-2AR			Gold	Gold	
DS1-424-1AR	DS2-424-1AR	DS3-424-1AR	24		Gold	Tin/Lead	
DS1-424-2AR	DS2-424-2AR	DS3-424-2AR			Gold	Gold	
DS1-624-1AR	DS2-624-1AR	DS3-624-1AR	24		.600 (15,24)	Gold	Tin/Lead
DS1-624-2AR	DS2-624-2AR	DS3-624-2AR			Gold	Gold	
DS1-328-1AR	DS2-328-1AR	DS3-328-1AR	28		.300 (7,62)	Gold	Tin/Lead
DS1-328-2AR	DS2-328-2AR	DS3-328-2AR			Gold	Gold	
DS1-628-1AR	DS2-628-1AR	DS3-628-1AR	28		.600 (15,24)	Gold	Tin/Lead
DS1-628-2AR	DS2-628-2AR	DS3-628-2AR				Gold	Gold
DS1-632-1AR	DS2-632-1AR	DS3-632-1AR	32	Gold		Tin/Lead	
DS1-632-2AR	DS2-632-2AR	DS3-632-2AR		Gold		Gold	
DS1-640-1AR	DS2-640-1AR	DS3-640-1AR	40	Gold		Tin/Lead	
DS1-640-2AR	DS2-640-2AR	DS3-640-2AR		Gold		Gold	
DS1-648-1AR	DS2-648-1AR	DS3-648-1AR	48	Gold		Tin/Lead	
DS1-648-2AR	DS2-648-2AR	DS3-648-2AR		Gold		Gold	

.180 PC Tails available

DSX-XXX-1BR, gold contact, tin/lead sleeve
DSX-XXX-2BR, gold contact, tin/lead sleeve

For 3-level wire-wrap termination, please consult the factory.

Note: Part numbers in chart and in detail refer to a .125" (3,18) PC tail pin.

Need more technical information?

Contact your local ABE office or
<http://www.AboveBoardElectronics.com>