

TST Series *Tiny "Sealed" Toggle Switch* *Thru Hole and Surface Mount*

FEATURES:

- Rating 0.4VA max. at 20VAC/DC
- High temperature plastics - Liquid crystal polymer (LCP)
- Specifically designed for thru-hole and surface mount applications - Tin lead plated terminals
- Washable process sealed construction - Internal actuator "O" Ring
- Ultrasonic welded case

MATERIAL SPECIFICATIONS:

Contacts.....Copper alloy with gold over nickel plate
 Case MaterialLCP
 Actuator Material.....Nickel plated brass
 TerminalsCopper alloy with gold over nickel plating inside, tin plating outside
 Terminal Seal.....Epoxy
 Support BracketTin plated steel

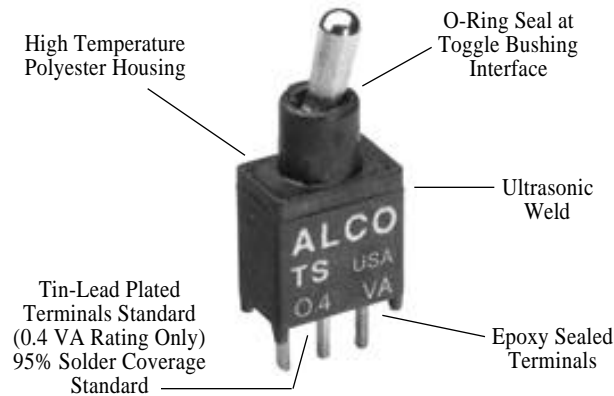
TYPICAL PERFORMANCE CHARACTERISTICS:

Contact Rating0.4 VA @ 20 VAC/DC
 Initial Contact Resistance.....20 Milliohms max.
 Contact TimingBreak-before-make
 Insulation Resistance1,000 Megohms 500 VDC min.
 Dielectric Strength1,000 Volt RMS @ sea level
 Actuator Travel22° for E and D function
 18° for F, G, H function
 Life ExpectancyD Function: 80,000 cycles
 E Function: 60,000 cycles
 F, G, H Function: 30,000 cycles

ENVIRONMENTAL SPECIFICATIONS

Operating Temperature.....-22°F to +185°F (-30°C to +85°C)
 Storage Temperature.....-67°F to +185°F (-55°C to +85°C)

Part Number Sequence.....Page C8



FUNCTION CHART

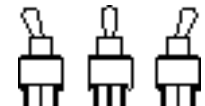
The following functions available in single pole.

None - indicates no mechanical position.

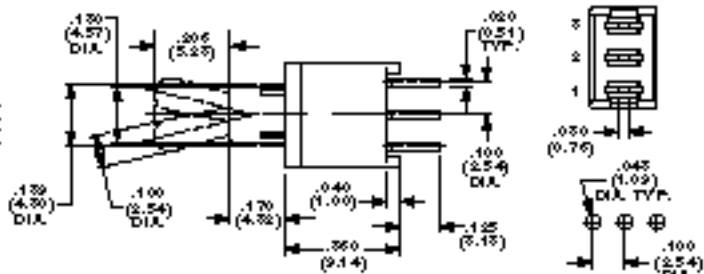
Off - indicates a mechanical position with no electrical connection.

(On) - indicates momentary connection.

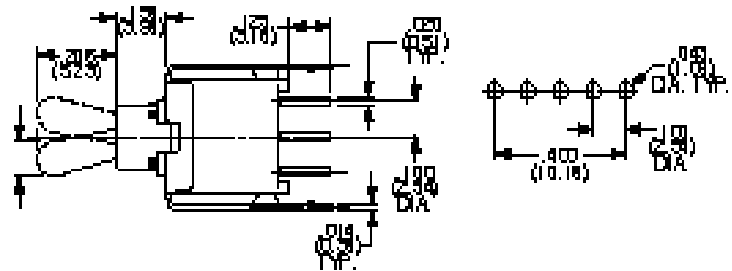
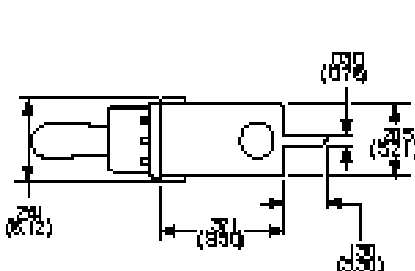
D	2 Positions	On	None	On
E	3 Positions	On	Off	On
F	2 Positions	On	None	(On)
G	3 Positions	(On)	Off	(On)
H	3 Positions	On	Off	(On)
Terminals Connected		1-2	-	2-3



PC MOUNT



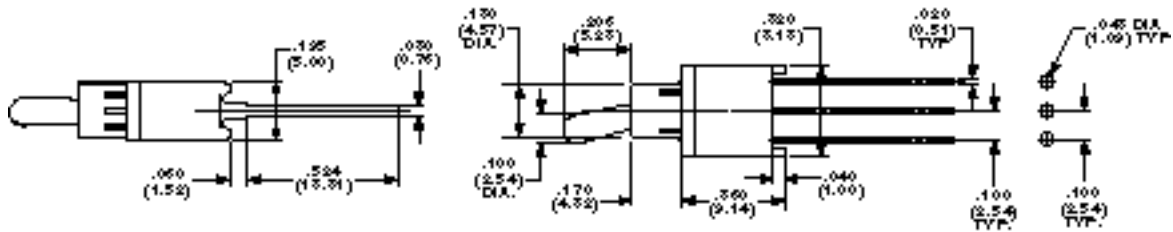
PCV PC WITH VERTICAL SUPPORT BRACKET



Tiny "Sealed" Toggle Switch **TST Series**

SEE PAGE C6 FOR PRODUCTION SPECIFICATIONS

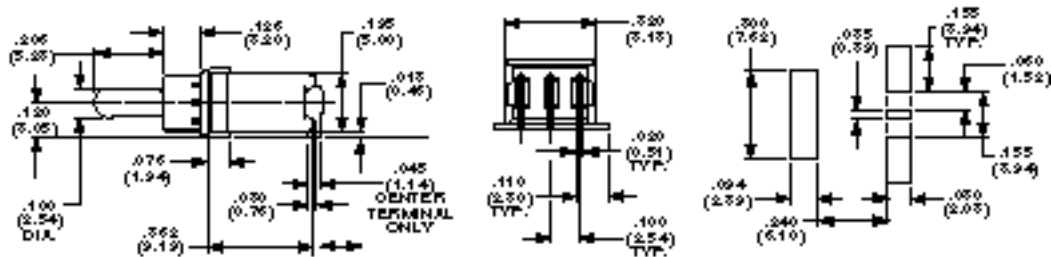
WIRE WRAP **WW**



TST11DGWW1D



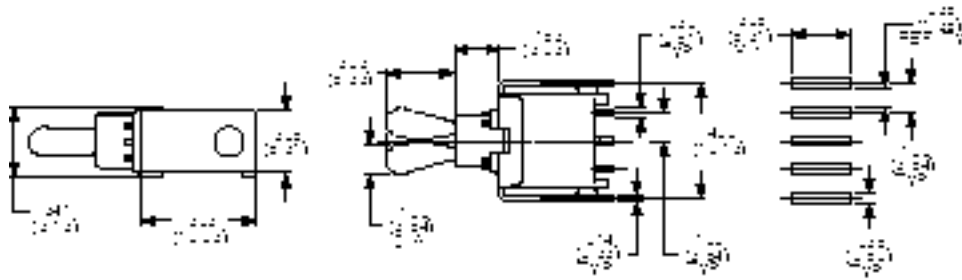
SURFACE MOUNT RIGHT ANGLE "L" BEND **SRA**



TST11DGSRA1D



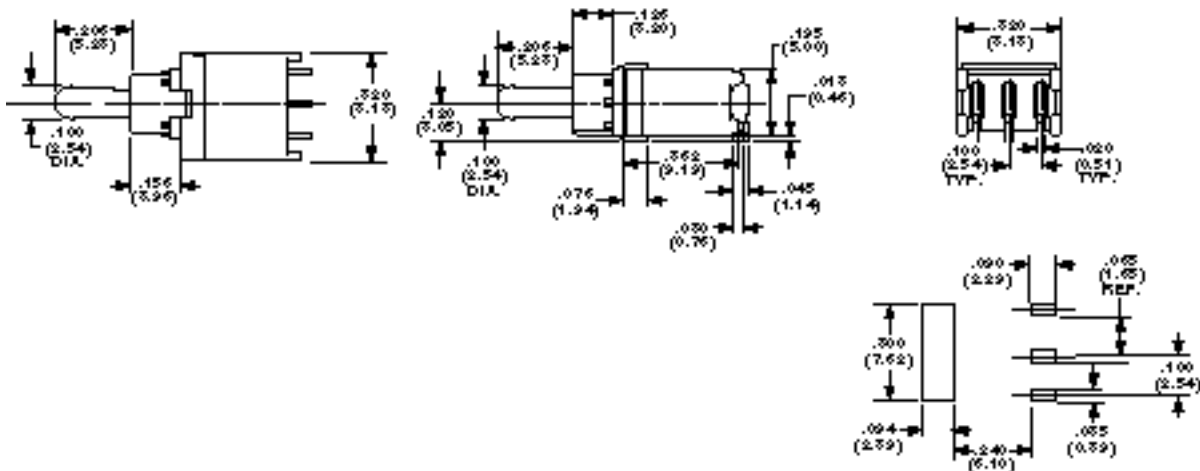
SURFACE MOUNT **SPC**



TST11DGSPC1D



SURFACE MOUNT RIGHT ANGLE BUTT **SRAB**



TST11DGSRA1D



Need more technical information?

Contact your local ABE office--(800) 453-1692--or AboveBoardElectronics.com.

Above Board Electronics
1918 Junction Avenue
San Jose, CA 95131

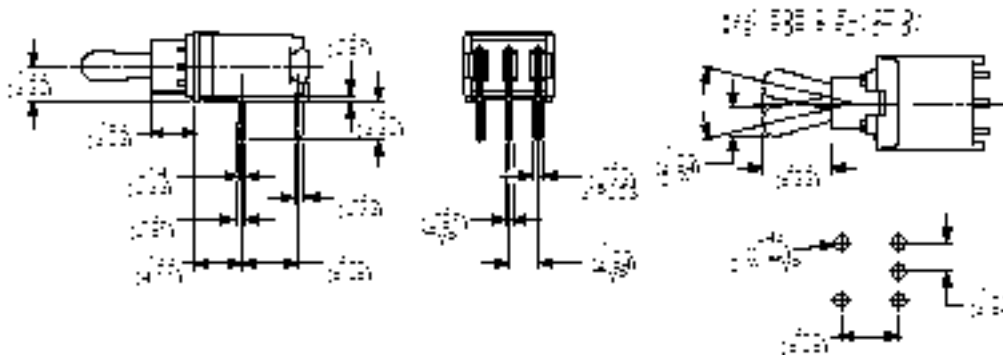
TST Series *Tiny Sealed Toggle Switch*

RA

Right Angle



TST11DGRA1D

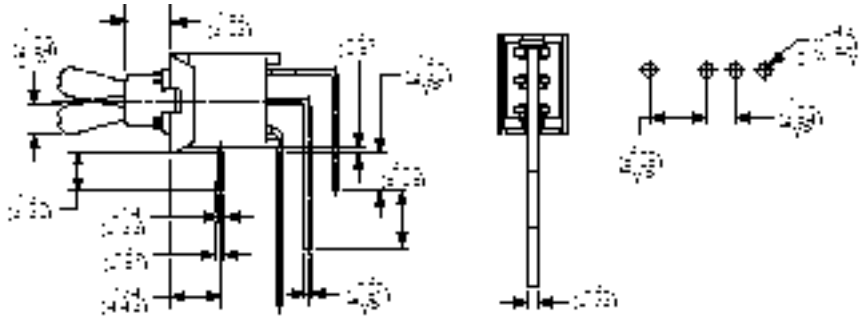


VRA

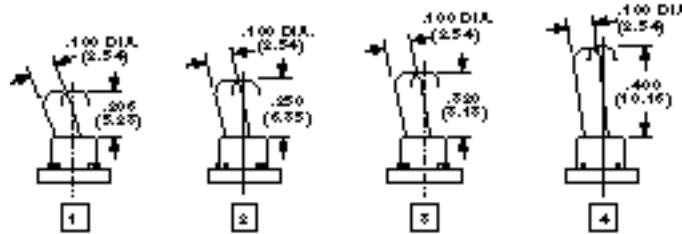
Vertical Right Angle



TST11DGVRA1D

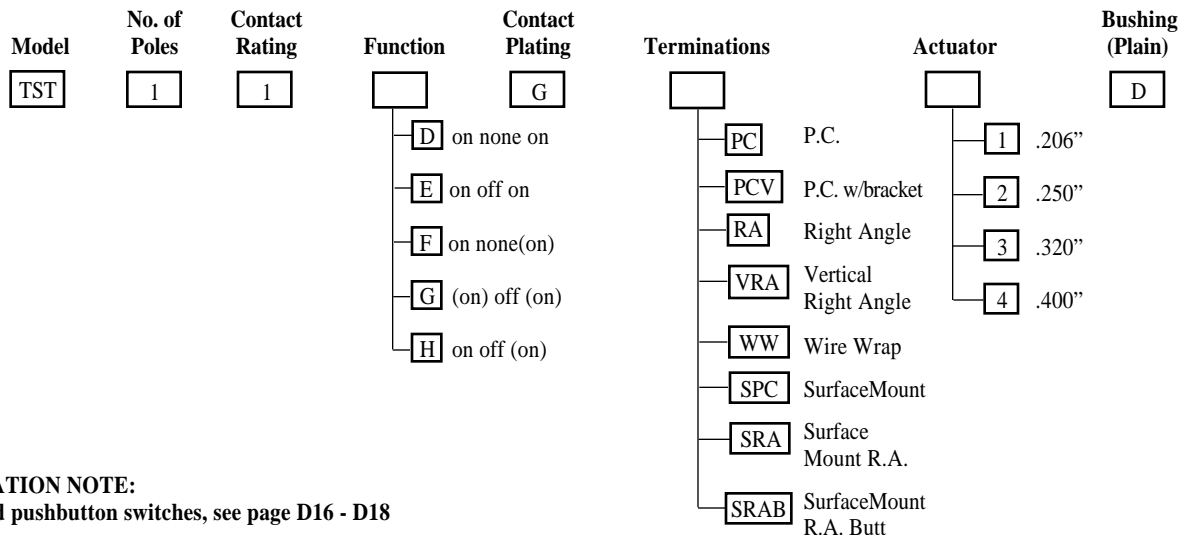


ACTUATORS



PART NUMBERING SEQUENCE

See pages M2-M4 for application specific indexing.



APPLICATION NOTE:

For sealed pushbutton switches, see page D16 - D18

