

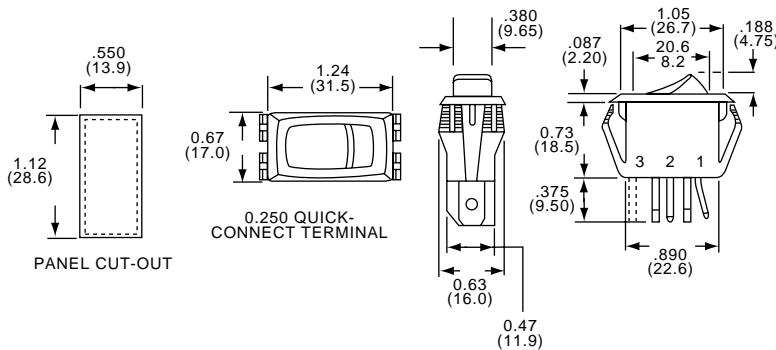
"8 Amp" Mini Power Rocker Switch Euro-Rockers

FEATURES:

XRMQ Series miniature rocker switches have the same reliable characteristics as the XRM series, but have 0.187" tab terminals. U.L., C.S.A. & VDE certifications. U.L. Listed (File No. E46765) and C.S.A. Certified (File No. LR75648).

TYPICAL PERFORMANCE CHARACTERISTICS:

Contact Rating 8 A @ 125 VAC (P.F. =0.75)
 4 A @ 250 VAC (P.F. =0.75)
 Inductive 6 (4) A @ 250 V~(V.D.E.)
 Initial Contact Resistance 50 Milliohms max.
 Insulation Resistance 100 Megohms
 Dielectric Strength 1,000 RMS @ sea level
 In-Rush Current 35 Peak amperes max.



XRMQ208K005+01

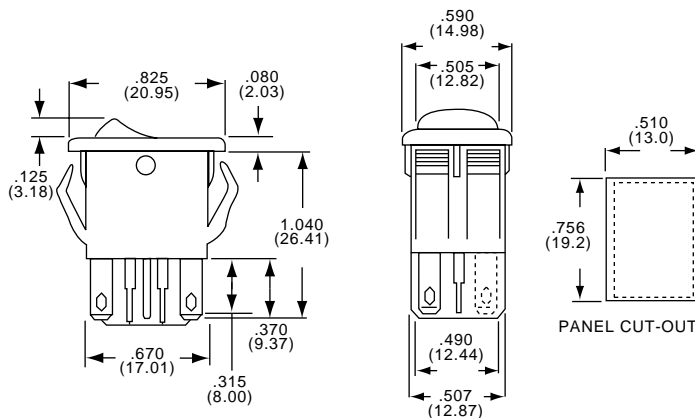
Euro-Rocker switches have the preferred green ISO bar-circle legend and are V.D.E. certified in addition to UL and CSA.

Model-Legend	Type	(Body/Rocker)	(Legend)	Tab Terminal
XRMQ108A005+01	SPST	Black/Black	Green	0.187
XRMQ208K005+01	DPST	Black/Black	Green	0.187

Application Note:
 See Page E26 for Actuator Codes
 SPST Code 51 DPST Code 55

"8 Amps" Mini Power Rocker Switch

XRMQ Series



XRMQ108A02

Model-Legend	Type	Body/Rocker	Legend	Model-Legend	Type	Body/Rocker	Legend
XRMQ108A00	SPST	Black/Black	None	XRMQ208K00	DPST	Black/Black	None
XRMQ108A00+01	SPST	Black/Black	White ISO	XRMQ208K00+01	DPST	Black/Black	White ISO
XRMQ108A02	SPST	Black/Red	None	XRMQ208K02	DPST	Black/Red	None
XRMQ108A02+01	SPST	Black/Red	White ISO	XRMQ208K02+01	DPST	Black/Red	White ISO
				XRMQ208K02OnOff	DPST	Black/Red	On/Off
				XRMQ208N00+01	DPDT	Black/Black	White ISO
				XRMQ208N00	DPDT	Black/Black	

Application Note:
 See Page E26 for Actuator Codes
 SPST Code 51 DPST & DPDT
 Code 55

Need more technical information?

Contact your local ABE office or
<http://www.AboveBoardElectronics.com>.