

Magnetic-Reed Long Life/Hermetically Sealed/ Momentary Pushbutton **MSPM Series**

MATERIAL SPECIFICATIONS:

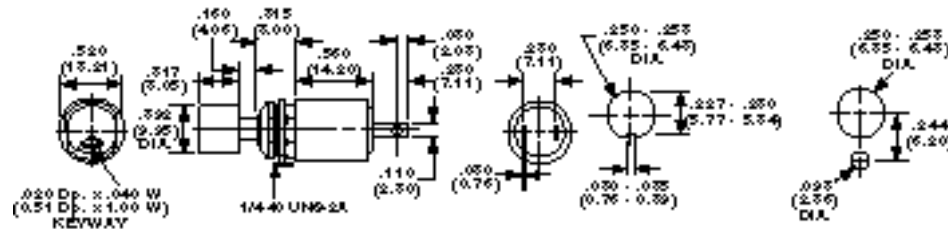
Contacts.....Gold
 Case MaterialSteel
 Actuator Material.....Polyamide
 Terminals/Fixed Contacts.....Wire Lug
 Pin useable for PC applications

TYPICAL PERFORMANCE CHARACTERISTICS:

Contact Rating.....1.0 VA optimum (100 mA max., 50 VDC max.)
 Initial Contact Resistance.....100 Milliohms max.
 Actuation Force.....Tactile "keyboard feel" 4 to 7 oz.
 "breakaway" reducing immediately to 1.5 oz.
 "follow-through"
 Actuator Travel078" nominal
 Life Expectancy5,000,000 Cycles @ .1 VA; 50,000 cycles @
 5VA
 Solder Heat ResistanceSee page M6-7

ENVIRONMENTAL SPECIFICATIONS:

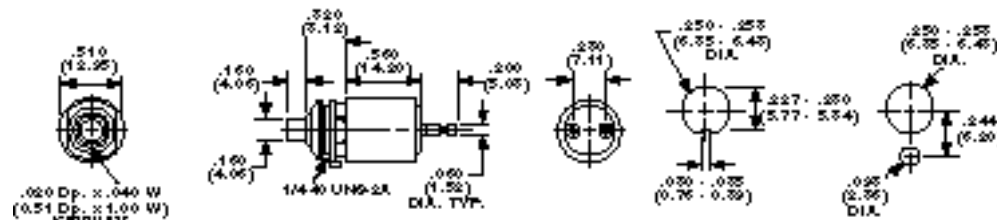
Operating Temperature.....+14°F to +176°F (-10°C to +80°C)
 Storage Temperature.....+14°F to +176°F (-10°C to +80°C)



Model	Type	Act. Code	P. M9	Action	Actuator Type	Terminals
MSPM101B0	SPST	14		Normally Closed	Black Cap	Pin
MSPM101C2	SPST	13		Normally Open	Red Cap	Pin
MSPM101B1	SPST	14		Normally Closed	Black Cap	Lug
MSPM101C1	SPST	13		Normally Open	Red Cap	Lug

Cap Model C22 supplied with unit.

N.C. OR N.O.
SOFT DETENT



Model	Type	Act. Code	P. M9	Action	Actuator Type	Terminals
MSPM101BS	SPST	14		Normally Closed	Black Plunger	Pin
MSPM101CS	SPST	13		Normally Open	Red Plunger	Pin
MSPM101BS1	SPST	14		Normally Closed	Black Plunger	Lug
MSPM101CS1	SPST	13		Normally Open	Red Plunger	Lug



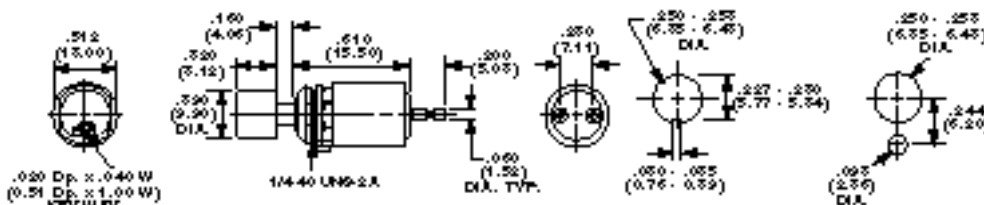
N.C. OR N.O.
AUDIBLE DETENT

Magnetic-Reed/Long Life Maintained Push-Pull **MSPM Series**

SPECIFICATIONS (Same as above except):

Travel125" (3.18) nominal

Actuation Force.....Tactile feel 5 to 8 oz. "breakaway" with
 magnetically accelerated "follow-through"



Model	Type	Act. Code	P. M9	Push	Pull	Actuator Type	Terminals
MSPM101BP	SPST	18		Open	Closed	Black Cap	Pin
MSPM101CP	SPST	17		Closed	Open	Red Cap	Pin

Cap Model C22 supplied with unit.
 Model C23 available, order separately. (See Page D45.)

N.C. OR N.O.



Need more technical information?

Contact your local ABE office--(800) 453-1692--or AboveBoardElectronics.com.

Above Board Electronics
 1918 Junction Avenue
 San Jose, CA 95131

BP Series *Splashproof Pushbutton Boot Seals*

A wide selection of stock boot seals for pushbuttons available in a variety of styles and thread sizes. AUGAT/ALCOSWITCH seals replace standard mounting hardware to provide environmental seal. Fabricated of Neoprene in black and optional red or gray. Custom colors and thread sizes are also available on special order.

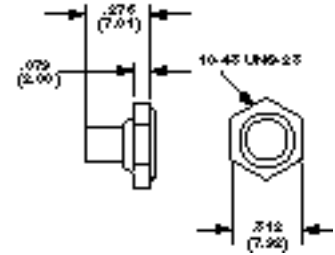


BP10480

10-48 PUSHBUTTON BOOT SEALS

Splashproof seal designed for "TINY" pushbutton switches having a 10-48 bushing and .14" long button actuators. The hex nut is molded-in to the Neoprene seal. No O-Ring is required. Custom colors are available on special order.

Model	Mount Color	Boot Color	Thread Size	Use with Switch Types
BP10480	Black	Black	10-48	Recommended for TP Series
BP10482	Red	Red	10-48	Recommended for TP Series
BP10488	Gray	Gray	10-48	Recommended for TP Series



BPA14400

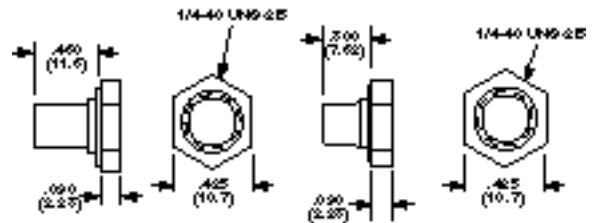


BP14400

1/4-40 PUSHBUTTON BOOT SEALS

Splashproof seals for miniature pushbuttons having a 1/4-40 bushing. The two models allow use with buttons that extend up to .17" (BPA) or up to .33" (BP). The hex nut is molded-in and no O-Ring is required.

Model	Mount Color	Boot Color	Thread Size	Use with Switch Types
BP14400	Black	Black	1/4-40	MSPM, MPA3, MPS and TP Series
BP14402	Red	Red	1/4-40	MSPM, MPA3, MPS and TP Series
BP14408	Gray	Gray	1/4-40	MSPM, MPA3, MPS and TP Series
BPA14400	Black	Black	1/4-40	MSPMBS, MSPMCS, MSP3, MPA3, TP Series
BPA14402	Red	Red	1/4-40	MSPMBS, MSPMCS, MSP3, MPA3, TP Series
BPA14408	Gray	Gray	1/4-40	MSPMBS, MSPMCS, MSP3, MPA3, TP Series



BP20100

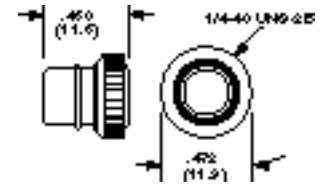


BP1900

1/4-40 PUSHBUTTON BOOT SEALS

Splashproof seals having 1/4-40 blind nuts integrally mounted to the black Neoprene seal. Supplied with a captive O-Ring to complete the panel seal. Used with actuators up to .37" long. Choice of two-tone having knurled ring with nickel finish or all black appearance.

Model	Mount Color	Boot Color	Thread Size	Use with Switch Types
BP1900	Nickel	Black	1/4-40	MSPM, MSP3, MPA3 and TP Series
BP2010	Black	Black	1/4-40	MSPM, MPS3, MPA3 and TP Series

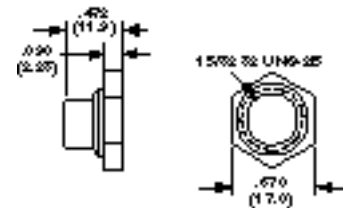


BP15320

15/32-32 PUSHBUTTON BOOT SEALS

Splashproof seals incorporating a molded-in hex nut for washer tight and dust tight protection. Replaces standard hardware usually supplied. Recommended for large size pushbutton switches with actuators extending up to .31" long.

Model	Mount Color	Boot Color	Thread Size	Use with Switch Types
BP15320	Black	Black	15/32-32	MSPF and MPG Series
BP15322	Red	Red	15/32-32	MSPF and MPG Series
BP15328	Gray	Gray	15/32-32	MSPF and MPG Series



BP5900

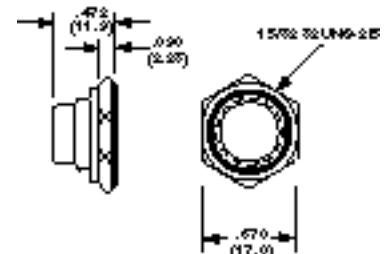


BP5890

15/32-32 PUSHBUTTON BOOT SEALS

Splashproof seals having 15/32-32 hex shape mounts integrally bonded onto the black Neoprene seal. Supplied with a captive O-Ring for use against the panel. Readily accepts actuators up to .38" in length. Available in two tone with nickel finish hex-mount, or all black appearance.

Model	Mount Color	Boot Color	Thread Size	Use with Switch Types
BP5890	Nickel	Black	15/32-32	MSPF and MPG Series
BP5900	Black	Black	15/32-32	MSPF and MPG Series

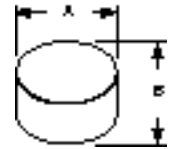


Accessories

CAPS



Model	ID.	Description	Use Guard	Color	"A" Diameter	B Height
C5(*)	Snapfit	Small plastic cap for MPA3 Series	-	(0), (2), (5), (9)	.195	.120
C8(*)	Snapfit	Large plastic cap for MPA3 Series	-	(0), (2), (5), (9)	.310	.160
C9(*)	Snapfit	Spare color cap for MPG Series	-	(0), (2), (4), (6), (9), (12)	.354	.138
C12(*)	Threaded**	Small plastic cap	G12	(0), (2), (5)	.312	.315
C13(*)	Threaded**	Large plastic cap	G13	(0), (2), (5)	.587	.390
C14(*)	Threaded**	Small metal cap	-	Chrome only	.177	.283
C14L(*)	Threaded**	Large metal cap	-	Chrome only	.313	.315
C22(*)	Snapfit	MPS/MSPM/MPE/MPA6	G12	(0), (2), (3), (4), (5), (6), (9)	.394	.315
C23(*)	Snapfit	MPS/MSPM/MPE/MPA6	G13	(0), (2), (3), (4), (5), (6), (9)	.590	.394
C33(*)	Snapfit	Square button for MPSR	-	(0), (2), (6), (9)	.378SQ.	.201

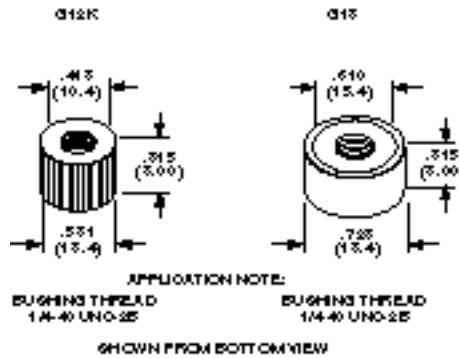


(*) Specify color by adding suffix number: (0) Black, (2) Red, (3) Orange, (4) Yellow, (5) Green, (6) Blue, (9) White, (12) Pink.

**Threaded 3-56 UNF-2B

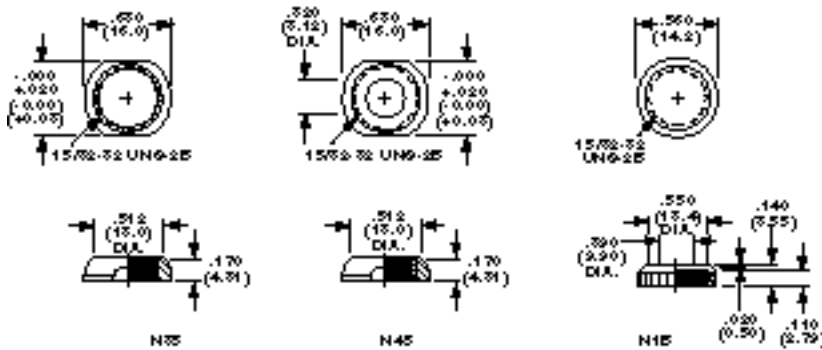
GUARDS

Model	Type	Color	Finish	Use Cap
G12A	1/4-40	Clear aluminum	Plain	C12 C22
G12B	1/4-40	Black aluminum	Plain	C12 C22
G12C	1/4-40	Chromed brass	Plain	C12 C22
G12KA	1/4-40	Clear aluminum	Knurled	C12 C22
G12KB	1/4-40	Black aluminum	Knurled	C12 C22
G12KC	1/4-40	Chromed brass	Knurled	C12 C22
G13A	1/4-40	Clear aluminum	Plain	C13 C23
G13B	1/4-40	Black aluminum	Plain	C13 C23
G13C	1/4-40	Chromed brass	Plain	C13 C23
G13KA	1/4-40	Clear aluminum	Knurled	C13 C23
G13KB	1/4-40	Black aluminum	Knurled	C13 C23
G13KC	1/4-40	Chromed brass	Knurled	C13 C23
Model	Type	Color	Finish	Use Cap
G15*	15/32"	Clear aluminum	Plain	



*G15 Model used on the MSPF Series

DECORATIVE HARDWARE



Model	Type	Description
N1B	15/32"	"Perfect Fit" knurled nut
N35	15/32"	Decorative nut (supplied on switch)
N45	15/32"	"Perfect Fit" decorative nut

Need more technical information?

Contact your local ABE office--(800) 453-1692--or AboveBoardElectronics.com.

Above Board Electronics
1918 Junction Avenue
San Jose, CA 95131

BP T/M Series *Panel Seal*

FEATURES

The BP Series offers a unique means of sealing any pushbutton switch, using a standard 1/4-40 threading bushing, to almost any thickness panel. Simply install the BP adaptor into a 15/32" dia. or 1/2" dia. panel opening and secure with its hex nut. The appropriate switch is then threaded into the previously mounted adaptor and tightened in place. That's all there is to it, and a complete and decorative panel seal is the result.

MATERIALS

The flexible panel seal is custom molded of Neoprene rubber for long life, flexibility and chemical resistance. The threaded plastic adaptor is molded of ABS thermoplastic, is impact resistant and designed for ease of mounting.

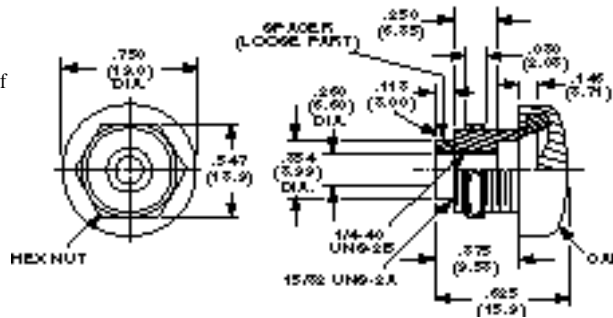
BPM

For use with Miniature Pushbutton

The BPM seal adaptor accommodates all AUGAT/ALCOSWITCH MPA Series of pushbutton switches utilizing the 1/4-40 threaded bushing.



BPM15320



Model	Color* of Seal
BPM15320	Black
BPM15322	Red
BPM15328	Gray

(* Custom seal colors are available upon special request.
Note: Silk screened colored legends are available on face of seal by special request.

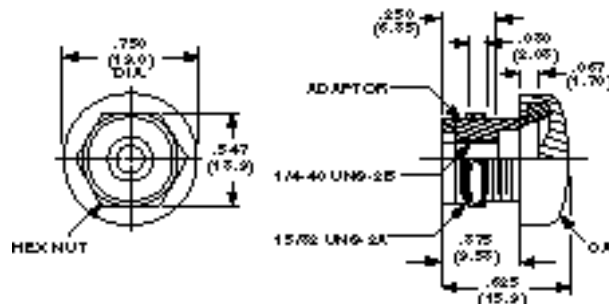
BPT

For use with Tiny Series TPF Pushbutton

The BPT seal adaptor accommodates all AUGAT/ALCOSWITCH TPF Series Tiny Pushbutton switches utilizing the 1/4-40 threading bushing.



BPT15328



Model	Color* of Seal
BPT15320	Black
BPT15322	Red
BPT15328	Grey

(* Custom seal colors are available upon special request.
Note: Silk screened colored legends are available on face of seal by special request.