

MPA6 Series "6 Amp" Panel Mount Pushbutton Wire-Lug Termination



MATERIAL SPECIFICATIONS:

Contacts.....Silver clad copper with gold flash
Case MaterialThermoset
Actuator Material.....Nickel plated copper alloy
TerminalsCopper with gold flash
Terminal Seal.....Molded in

ENVIRONMENTAL SPECIFICATIONS:

Operating Temperature.....-4°F to +176°F (-20°C to +80°C)
Storage Temperature.....-40°F to +176°F (-40°C to +80°C)
Solder Heat ResistanceSee page M6-7

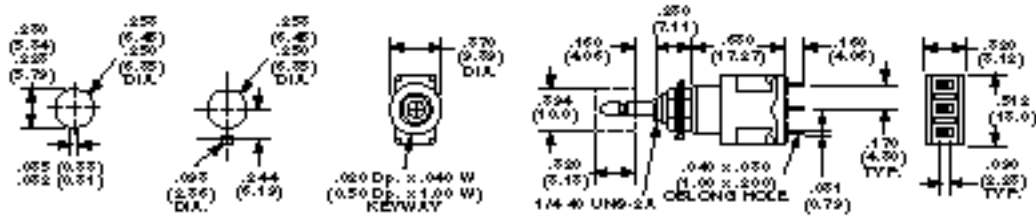
TYPICAL PERFORMANCE CHARACTERISTICS:

Contact Rating6 A @ 125 VAC, 3 A @ 250 VAC
Initial Contact Resistance.....10 Milliohms max.
Contact TimingBreak-before-make
Insulation Resistance1,000 Megohms min.
Dielectric Strength1,500 Volts RMS @ sea level
Actuation Force.....1.3 to 2.7 lbs.
Actuator Travel140" (3.56)
Life Expectancy50,000 Actuations

SPDT



MPA106D



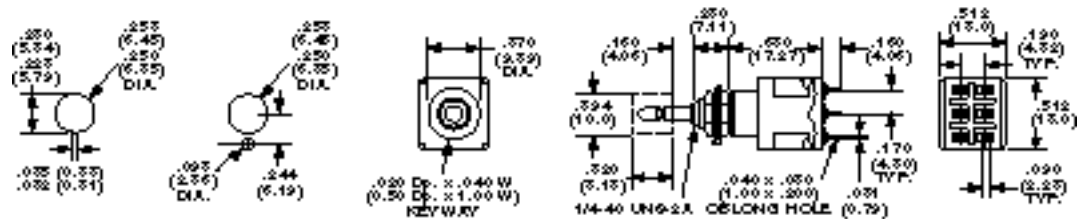
Cap not supplied, order separately (See Cap Model C22 and C23 on page D45.)

Model	Type	Act. Code P. M9	Action
MPA106D	SPDT	23	Push-on/Push-off
MPA106F	SPDT	19	Momentary

DPDT



MPA206N



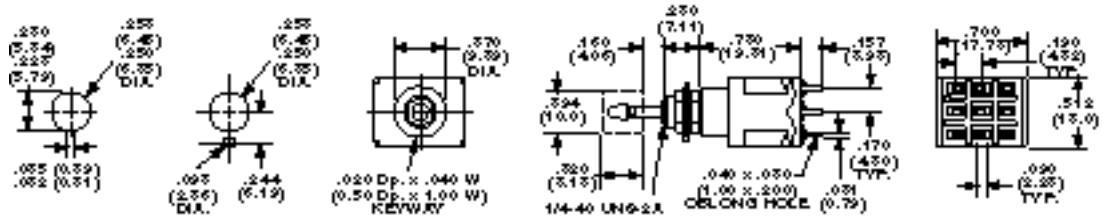
Cap not supplied, order separately (See Cap Model C22 and C23 on page D45.)

Model	Type	Act. Code P. M9	Action
MPA206N	DPDT	24	Push-on/Push-off
MPA206R	SPDT	20	Momentary
MPA206NPC	DPDT	24	Push-on/Push-off
MPA206RPC	DPDT	20	Momentary

3PDT



MPA306D



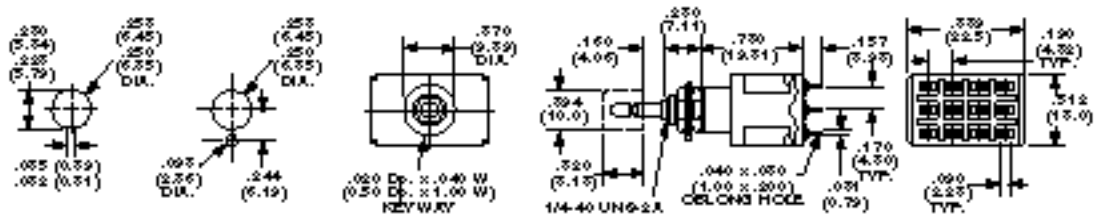
Cap not supplied, order separately (See Cap Model C22 and C23 on page D45.)

Model	Type	Act. Code P. M9	Action
MPA306D	3PDT	25	Push-on/Push-off
MPA306F	3PDT	21	Momentary

4PDT



MPA406N



Cap not supplied, order separately (See Cap Model C22 and C23 on page D45.)

Model	Type	Act. Code P. M9	Action
MPA406N	4PDT	26	Push-on/Push-off
MPA406R	4PDT	22	Momentary



Above Board Electronics
1918 Junction Avenue
San Jose, CA 95131



Panel Mount Pushbutton MPE Series

6 Amp "Splashproof"

MATERIAL SPECIFICATIONS:

Contacts.....Silver clad copper with gold flash
 Case MaterialThermost
 Actuator Material.....Nickel plated copper alloy
 TerminalsCopper with gold flash
 Terminal Seal.....Molded in

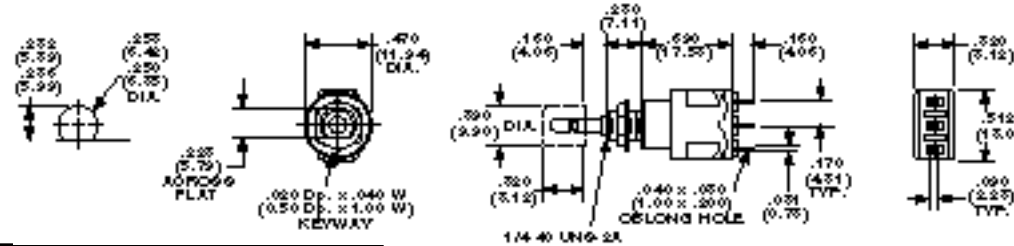
TYPICAL PERFORMANCE CHARACTERISTICS:

Contact Rating6 A @ 125 VAC, 3 A @ 250 VAC
 Initial Contact Resistance.....10 Milliohms max.
 Contact TimingBreak-before-make
 Insulation Resistance1,000 Megohms min.
 Dielectric Strength1,500 Volts RMS @ sea level
 Actuation Force1.3 to 2.7 lbs.
 Actuator Travel140" (3.56)
 Life Expectancy50,000 Actuations

ENVIRONMENTAL SPECIFICATIONS:

Operating Temperature.....-4°F to +176°F (-20°C to +80°C)
 Storage Temperature.....-40°F to +176°F (-40°C to +80°C)

Notice: O-ring on shoulder and inside moveable shaft provides splashproof seal.



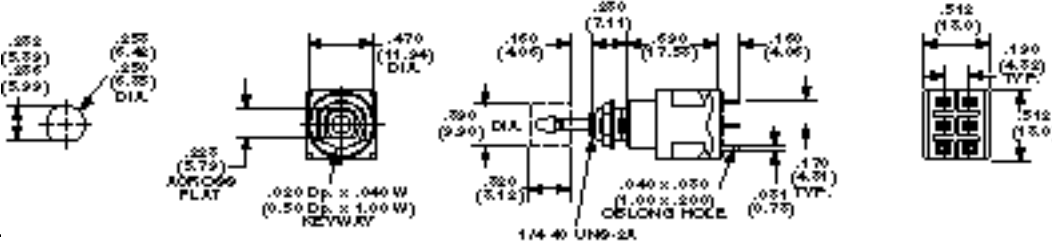
Model	Type	Act. Code	P. M9	Action
MPE106D	SPDT	23		Push on/Push off
MPE106F	SPDT	19		Momentary

Cap not supplied, order separately (See Cap Model C22 and C23 on page D45.)

SPDT



MPE106D



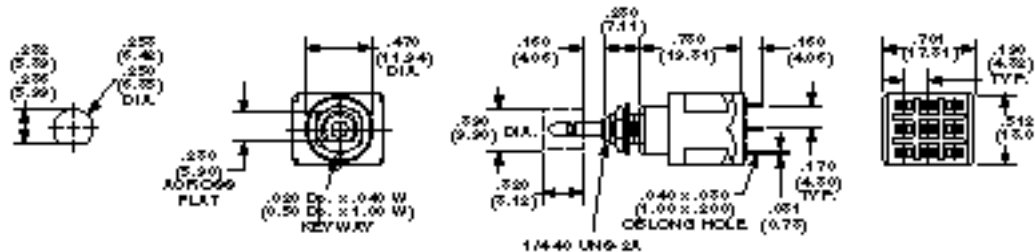
Model	Type	Act. Code	P. M9	Action
MPE206N	DPDT	24		Push on/Push off
MPE206R	DPDT	20		Momentary

Cap not supplied, order separately (See Cap Model C22 and C23 on page D45.)

DPDT



MPE206N



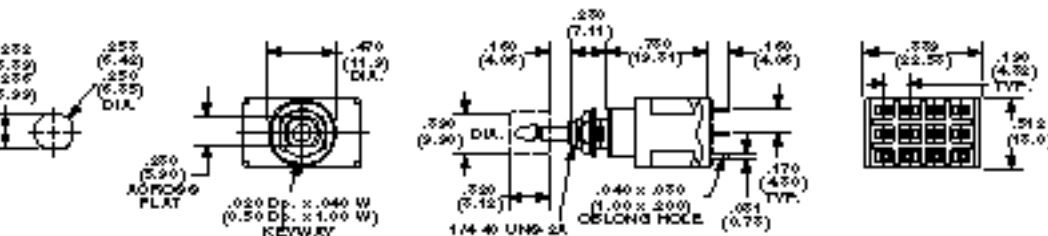
Model	Type	Act. Code	P. M9	Action
MPE306D	3PDT	25		Push on/Push off
MPE306F	3PDT	21		Momentary

Cap not supplied, order separately (See Cap Model C22 and C23 on page D45.)

3PDT



MPE306F



Model	Type	Act. Code	P. M9	Action
MPE406N	4PDT	26		Push on/Push off
MPE406R	4PDT	22		Momentary

Cap not supplied, order separately (See Cap Model C22 and C23 on page D45.)

4PDT



MPE406N

Need more technical information?

Contact your local ABE office--(800) 453-1692--or AboveBoardElectronics.com.

Above Board Electronics
 1918 Junction Avenue
 San Jose, CA 95131

MPG Series Mustang Pushbutton 15/32" Bushing "6 Amp" Wire Lug or PC Termination



MATERIAL SPECIFICATIONS:

Contacts.....Silver clad copper with gold flash
Case MaterialThermoset
TerminalsCopper with gold flash finish
Terminal Seal.....Molded in

TYPICAL PERFORMANCE CHARACTERISTICS:

Contact Rating6 A @ 125 VAC, 3 A @ 250 VAC
Initial Contact Resistance.....10 Milliohms max.
Contact TimingBreak-before-make
Insulation Resistance1,000 Megohms min.
Dielectric Strength1,500 Volts RMS @ sea level
Actuation Force.....1.3 to 2.7 lbs.
Actuator Travel138" (3.51)
Life Expectancy50,000 Actuations

ENVIRONMENTAL SPECIFICATIONS:

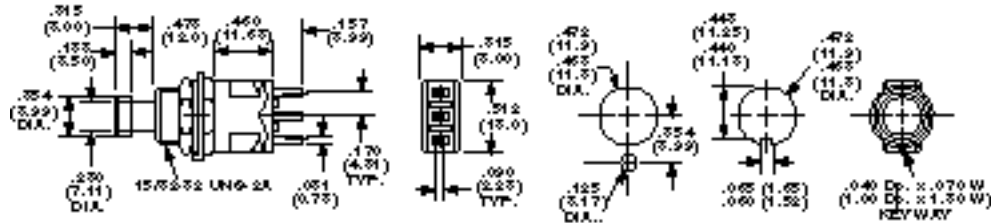
Operating Temperature.....-4°F to +176°F (-20°C to +80°C)
Storage Temperature.....-40°F to +176°F (-40°C to +80°C)
Solder Heat ResistanceSee page M6-7

SPDT

Black Cap supplied.



MPG106D



Other cap colors available, order separately. (See Cap Model C9 on Page D45.)

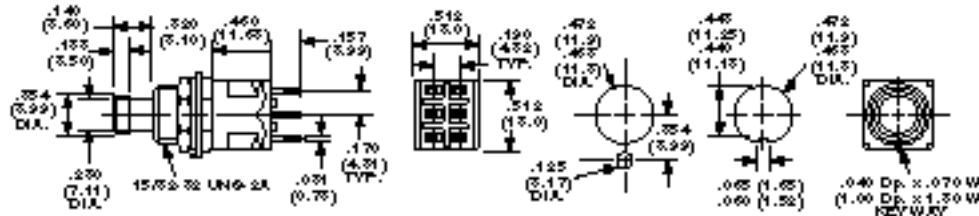
Model	Type	Act. Code	P. M9	Action	Terminals
MPG106D	SPDT	23		Push on/Push off	Wire Lug
MPG106F	SPDT	19		Momentary	Wire Lug

DPDT

Black Cap supplied.



MPG206NPC



Other cap colors available, order separately. (See Cap Model C9 on Page D45.)

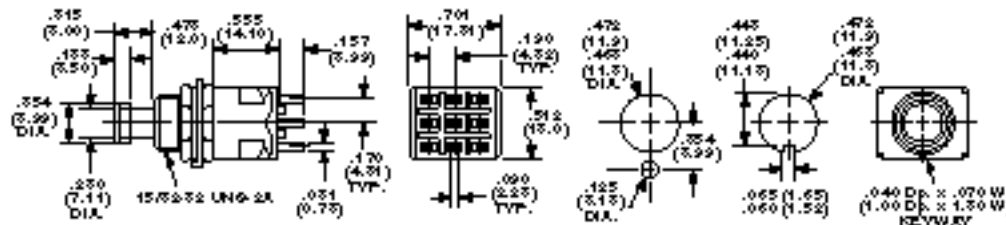
Model	Type	Act. Code	P. M9	Action	Terminals
MPG206N	DPST	24		Push on/Push off	Wire Lug
MPG206R	DPST	20		Momentary	Wire Lug
MPG206NPC	DPDT	24		Push on/Push off	PC
MPG206RPC	DPDT	20		Momentary	PC

3PDT

Black Cap supplied.



MPG306D



Other cap colors available, order separately. (See Cap Model C9 on Page D45.)

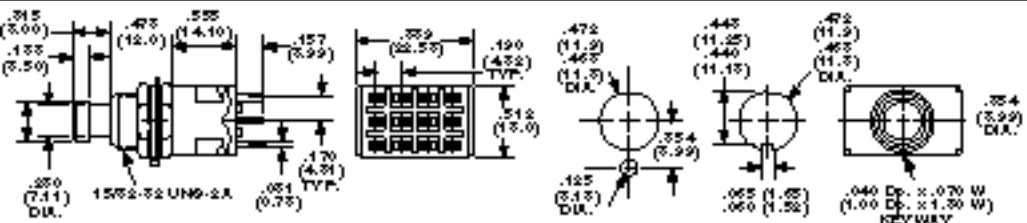
Model	Type	Act. Code	P. M9	Action	Terminals
MPG306D	3DPT	25		Push on/Push off	Wire Lug
MPG306F	3PDT	21		Momentary	Wire Lug

4PDT

Black Cap supplied.



MPG406N



Other cap colors available, order separately. (See Cap Model C9 on Page D45.)

Model	Type	Act. Code	P. M9	Action	Terminals
MPG406N	4PDT	26		Push on/Pushoff	Wire Lug
MPG406R	4PDT	22		Momentary	Wire Lug



Above Board Electronics
1918 Junction Avenue
San Jose, CA 95131

MPS Series *Snap-Action/Pushbutton/Silver Contacts Standard* *"PC and Wire Wrap Termination"*

SEE PAGE D40 FOR PRODUCT SPECIFICATIONS

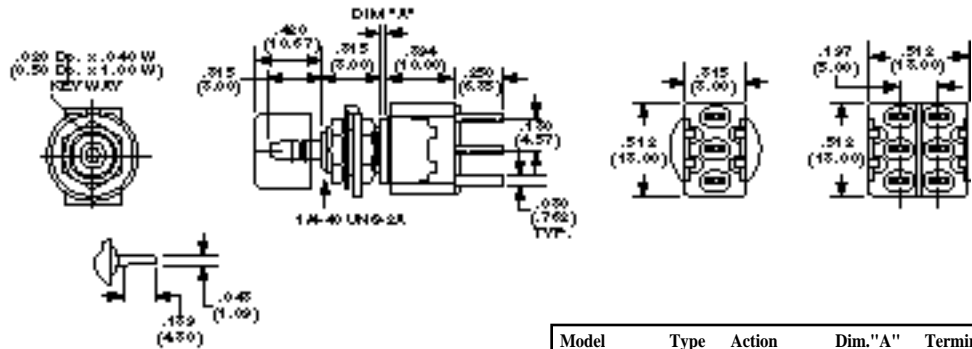
SPDT/DPDT



MPS103FPC



MPS203RPC



Model	Type	Action	Dim."A"	Terminals
MPS103DPC	SPDT	Push-on/Off	.100	PC Terminals
MPS103FPC	SPDT	Momentary	.040	PC Terminals
MPS203NPC	DPDT	Push-on/Off	.100	PC Terminals
MPS203RPC	DPDT	Momentary	.040	PC Terminals

Caps not supplied, order separately. (See Cap Model C22 and C23 on Page D45.)

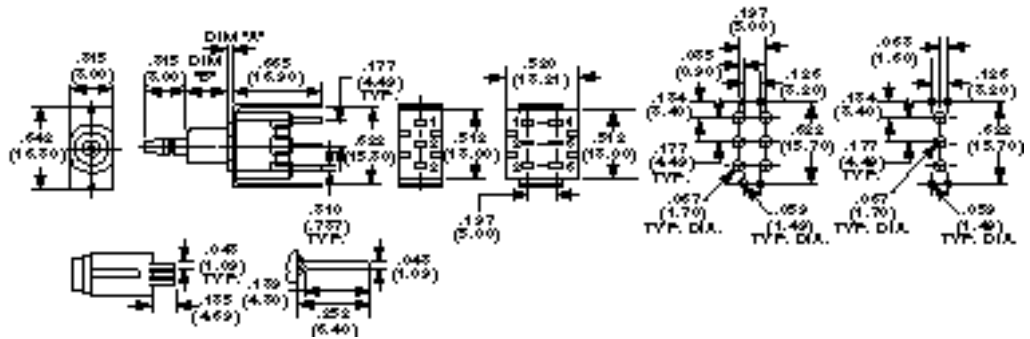
SPDT/DPDT



MPS103FPCV



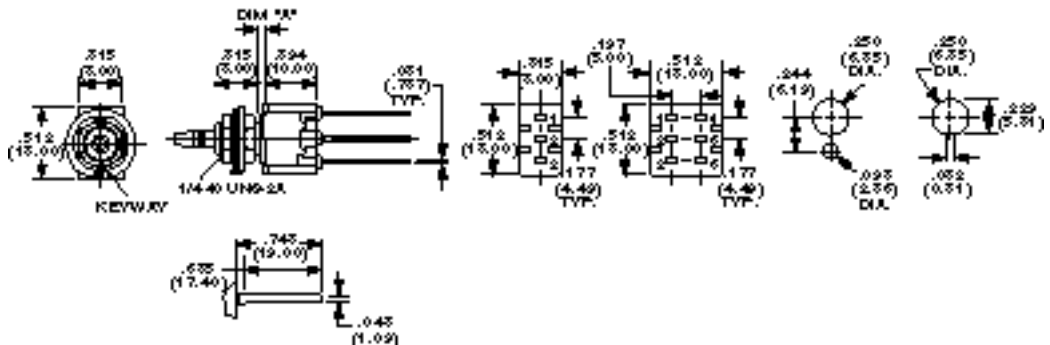
MPS203RPCV



Model	Type	Action	Dim."A"	Dim."B"	Terminals
MPS103DPCV	SPDT	Push-on/Off	.080(2.03)	.315(8.00)	PC w/support
MPS103FPCV	SPDT	Momentary	.040(1.01)	.295(7.49)	PC w/support
MPS203RPCV	DPDT	Momentary	.040(1.01)	.295(7.49)	PC w/support

Caps not supplied, order separately. (See Cap Model C22 and C23 on Page D45.)

SPDT/DPDT



MPS103FWW

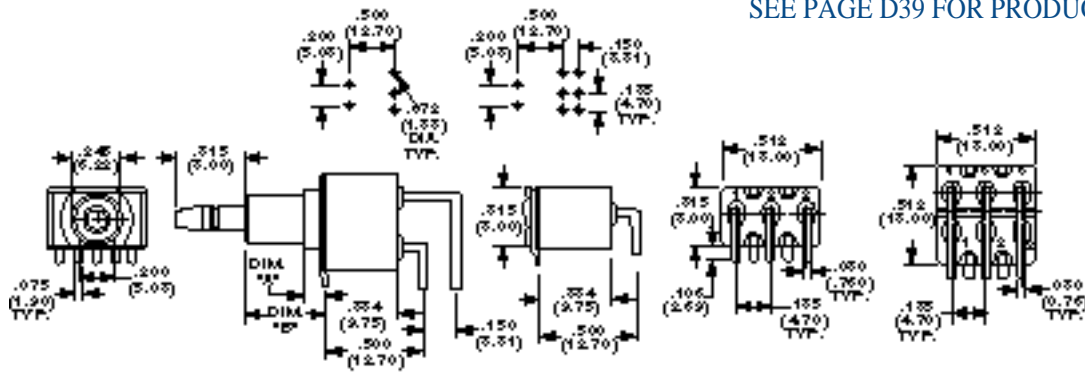
MPS203RWW

Caps not supplied, order separately. (See Cap Model C22 and C23 on Page D45.)

Model	Type	Action	Dim."A"	Terminals
MPS103FWW	SPDT	Momentary	.040(1.01)	Extended PC
MPS203NWW	DPDT	Push-on/Off	.100(2.54)	Extended PC
MPS203RWW	DPDT	Momentary	.040(1.01)	Extended PC

Snap-Action/Pushbutton/Silver Contacts Standard MPS Series

SEE PAGE D39 FOR PRODUCT SPECIFICATIONS



SPDT/DPDT



Model	Type	Action	Dim."A"	Dim."B"	Terminals
MPS103DRA	SPDT	Push-on/Off	.100(2.54)	.423(10.7)	Right Angle PC
MPS103FRA	SPDT	Momentary	.060(1.52)	.364(9.24)	Right Angle PC
MPS203NRA	DPDT	Push-on/Off	.100(2.54)	.423(10.7)	Right Angle PC
MPS203RRA	DPDT	Momentary	.060(1.52)	.364(9.24)	Right Angle PC

Caps not supplied, order separately.
(See Cap Model C22 and C23 on Page D45.)

Pushbutton/Momentary MSP3/MSPS

MATERIAL SPECIFICATIONS:

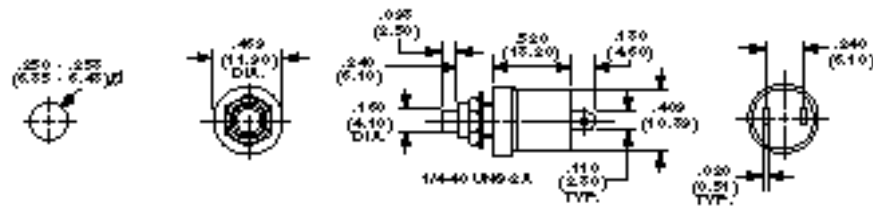
Contacts.....Silver plate over copper alloy
Case MaterialThermoplastic
Actuator Material.....Thermoplastic
TerminalsSilver plate

ENVIRONMENTAL SPECIFICATIONS:

Operating Temperature.....-4°F to +176°F (-20°C to +80°C)
Storage Temperature.....+5°F to +153°F (-15°C to +75°C)
Solder Heat ResistanceSee page M6-7

TYPICAL PERFORMANCE CHARACTERISTICS:

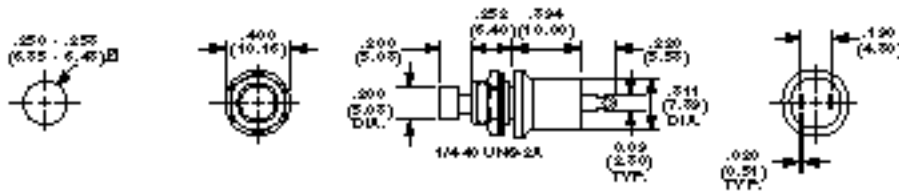
Contact RatingMSP103 - 3 Amps @ 125 VAC
(with over travel)
MSPS103 - 0.5 Amps @ 125 VAC
(Butt contact)
Initial Contact Resistance.....100 Milliohms
Contact TimingBreak-before-make
Insulation Resistance1,000 Megohms min.
Dielectric Strength1,000 Volts RMS @ sea level
Life Expectancy10,000 Cycles
Travel2.5 mm



SPST



Model	Type	Act. Code P. M7	Momentary Action	Bushing Length	Actuator Color
MSP103B	SPST	14	Normally Closed	.235	Black
MSP103C	SPST	13	Normally Open	.234	Red
MSP103CO	SPST	13	Normally Open	.235	Black
MSP103C2	SPST	13	Normally Open	.235	Red



MSPS103B

Model	Type	Act. Code P. M9	Momentary Action	Bushing Length	Actuator Color
MSPS103B	SPST	14	Normally Closed	.245	Black
MSPS103C	SPST	13	Normally Open	.245	Red
MSPS103C0	SPST	13	Normally Open	.245	Black

Need more technical information?

Contact your local ABE office--(800) 453-1692--or AboveBoardElectronics.com.

Above Board Electronics
1918 Junction Avenue
San Jose, CA 95131

MSPF Series *Momentary Pushbutton 15/32" Bushing* *Front or Rear Entry Mount*

MATERIAL SPECIFICATIONS:

Contacts.....Silver plate
Case MaterialThermoset
Actuator Material.....Thermoplastic
TerminalsSilver plate
Terminal Seal.....Epoxy

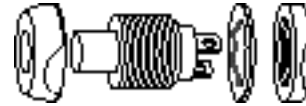
ENVIRONMENTAL SPECIFICATIONS:

Operating Temperature.....-4°F to +176°F (-20°C to +80°C)
Storage Temperature.....-4°F to +176°F (-20°C to +80°C)

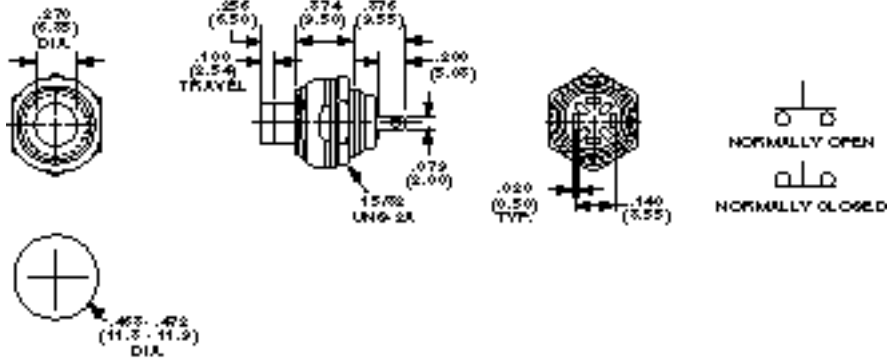
TYPICAL PERFORMANCE CHARACTERISTICS:

Contact Rating0.5 A @ 125 VAC
Initial Contact Resistance.....100 Milliohms
Contact TimingBreak-before-make
Insulation Resistance1,000 Megohms min.
Dielectric Strength1,000 Volts RMS @ sea level
Actuator Travel098" (2.49)
Life Expectancy10,000 Cycles

Application Note: Illustration shows versatile front or rear entry usage, with hardware supplied.



MSPF101B

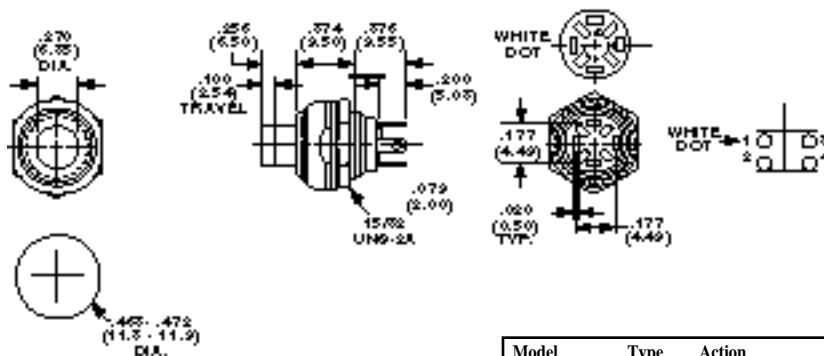


Model	Type	Action	Actuator Color
MSPF101B	SPST	Normally Closed	Black
MSPF101C	SPST	Normally Open	Red

2 CIRCUIT



MSPF101BC



Model	Type	Action	Actuator Color
MSPF101BC0	2 Circuit	Normally open-normally closed	Black
MSPF101BC2	2 Circuit	Normally open-normally closed	Red
MSPF101BC6	2 Circuit	Normally open-normally closed	Blue
MSPF101BC9	2 Circuit	Normally open-normally closed	White