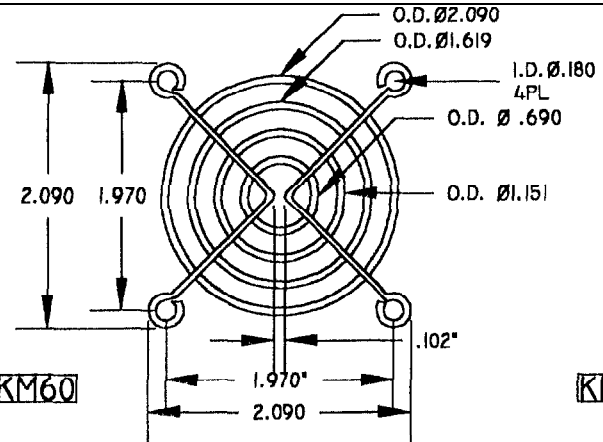
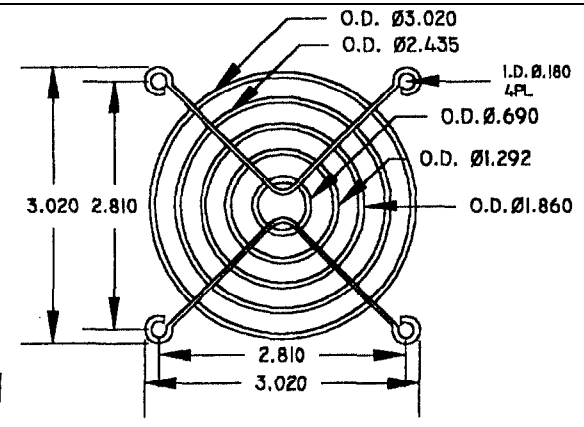


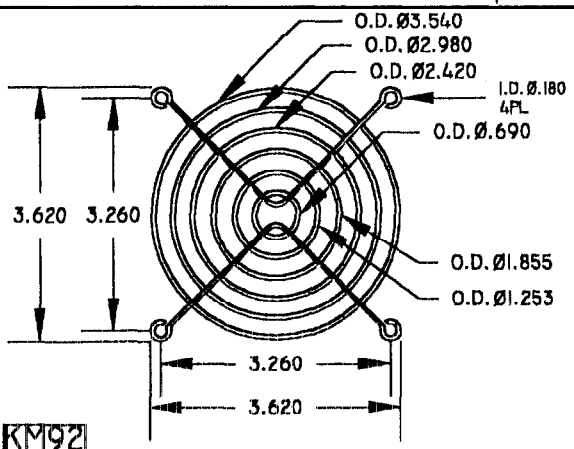
**KM40**



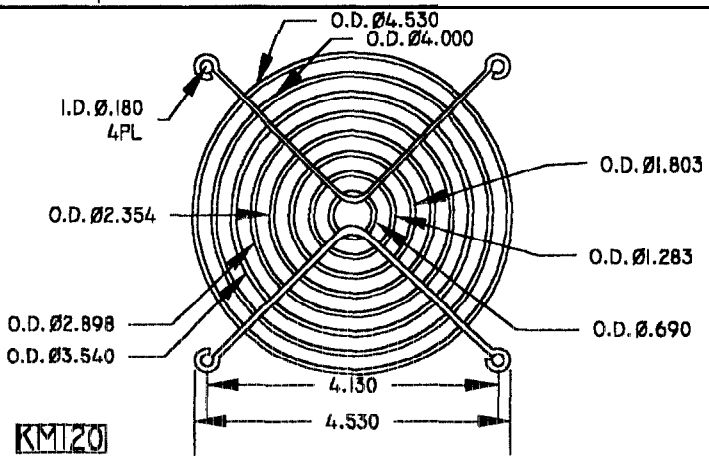
**KM60**



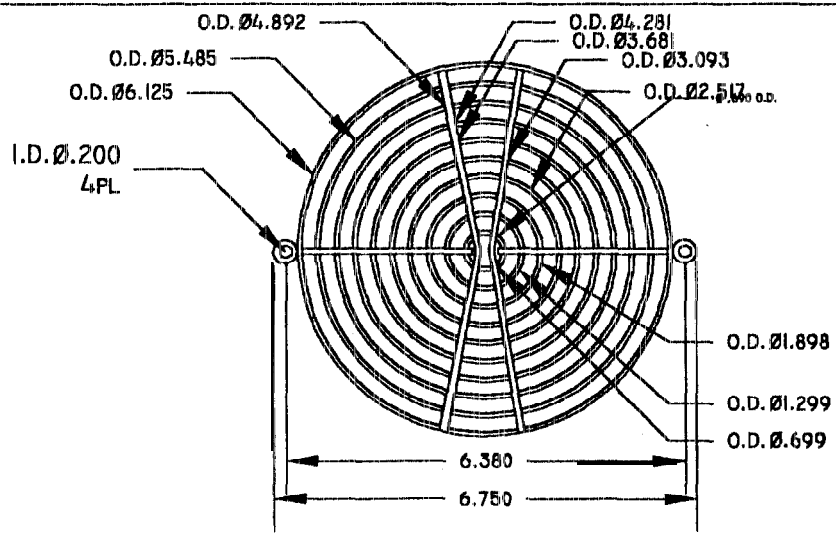
**KM80**



**KM92**



**KM120**



**KM172**

**MAT'L:**  
WIRE, STEEL C1010 ELECTROPLATED BRIGHT NICKEL CHROME, CLEAR ZINC, OR BLACK ELECTRO DEPOSIT. PLATING THICKNESS = .0005" MIN.  
PLASTIC NORYL OR ABS UL94V-0

**WELD JOINTS TO WITHSTAND MIN. 220LBS. SEPARATION FORCE TO MEET UL/CSA STANDARDS. CONFORMS TO U.L. Ø1/4" PLUG GAGE TEST**

**SANYO DENKI AMERICA  
TORRANCE, CALIFORNIA  
FINGER GUARDS**