



Directly cools CPU, integral with a heat sink

### General specifications

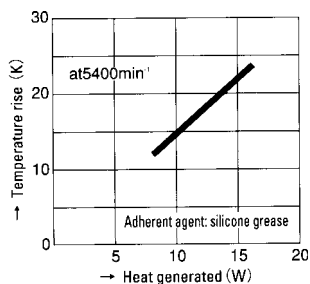
Life expectancy .....	40,000 hours
	(survival rate: 90% at 60°C, rated voltage, and continuously run in a free air state)
Motor protection system .. ...	Current cut system (with reverse-connection protection)
Dielectric strength .....	50/60 Hz, 500 VAC, 1 minute
	(between input terminal and frame)
Operating voltage range .....	- 10°C to + 60°C (non-condensing)
Heat resistance .....	As per Sanyo Denki's measurement method

18mm thick

### Specifications

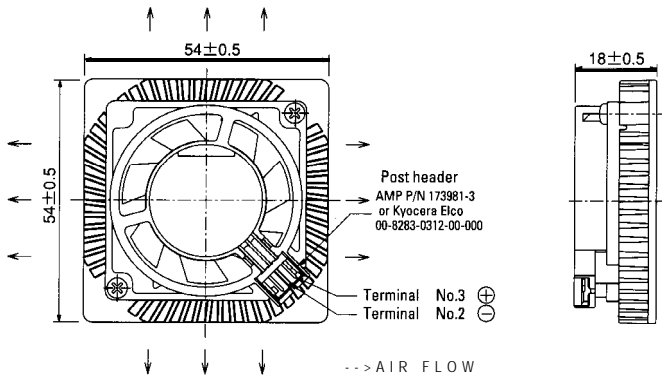
Model No.	Rated voltage (V)	Operating voltage range (V)	Rated current (A)	Rated input (W)	Rated rotating speed (min <sup>-1</sup> )	Thermal resistance (K/W)	Noise (dB [A])	Mass (g)
109P5405H8026	5	4.5 to 5.5	0.15	0.75	5,400	1.4	29	57
109P5412H8026	12	7 to 13.8	0.075	0.9				

### Typical cooling characteristics

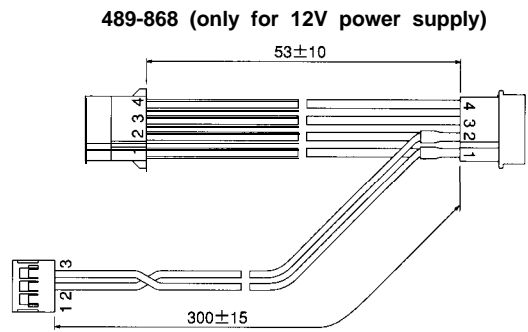
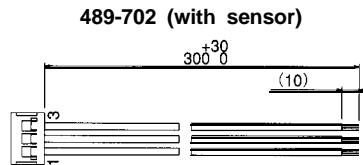
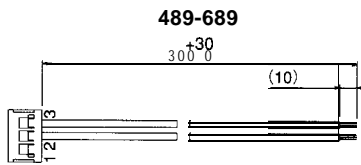


109P5405H8026  
109P5412H8026

Dimensions (unit : mm)



Relay harness



CPU Cooler  $54 \times 54$  mm