

DC Fan Motors

CPU coolers

□ **45×45**mm

SAN ACE MC



Directly cools CPU, integral with a heat sink

General specifications

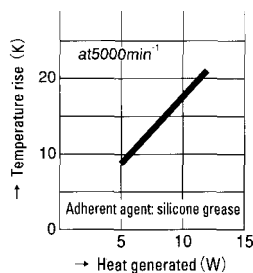
- Life expectancy 40,000 hours
(survival rate: 90% at 60°C, rated voltage, and continuously run in a free air state)
- Motor protection system Current cut system (with reverse-connection protection)
- Dielectric strength ... 50/60 Hz, 500 VAC, 1 minute
(between input terminal and frame)
- Operating thermally range .. -10°C to +60°C (non-condensing)
- Heat resistance As per Sanyo Denki's measurement method

18 mm thick

Specifications

Model No.	Rated voltage (V)	operating voltage range (V)	Rated current (A)	Rated input (W)	Rated rotating speed (min ⁻¹)	Thermal resistance (K/W)	Noise (dB(A))	Mass (g)
109P4405H8026	5	4.5 to 5.5	0.14	0.7	5,000	1.7	27	48
109P4412H8026	12	7 to 13.8	0.07	0.84				

Typical cooling characteristics

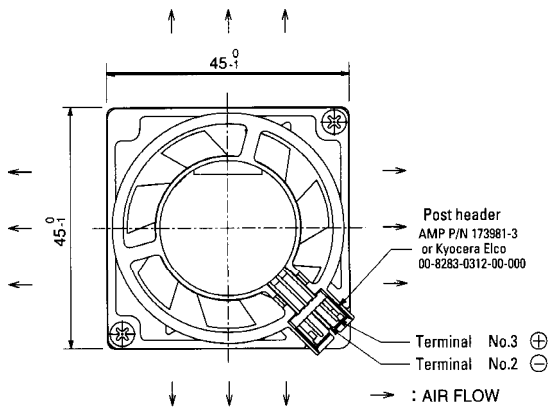


109P4412H8026
109P4405H8026

CPU Cooler

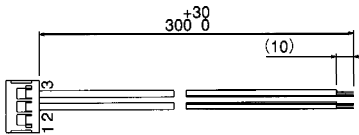
45×45

Dimensions (unit : mm)

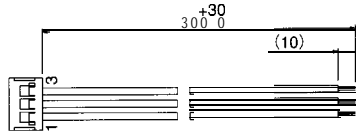


Relay harness

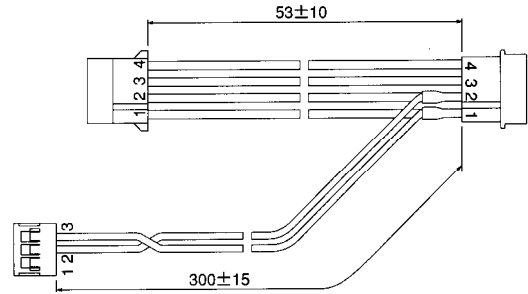
489-689



489-702 (with sensor)



489-868 (only for 12V power supply)



Installation metal fittings (unit : mm)

109-680 (for use with socket 7)

