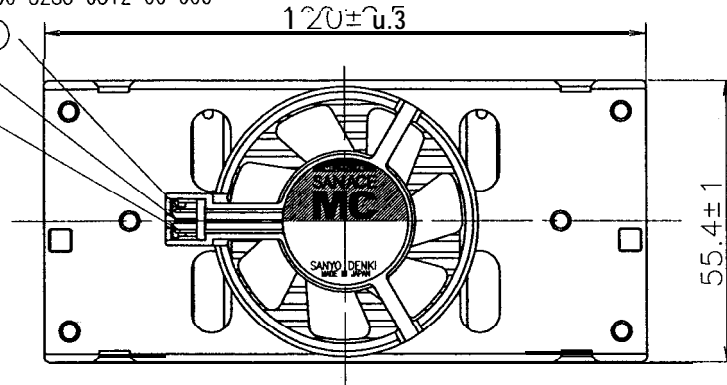


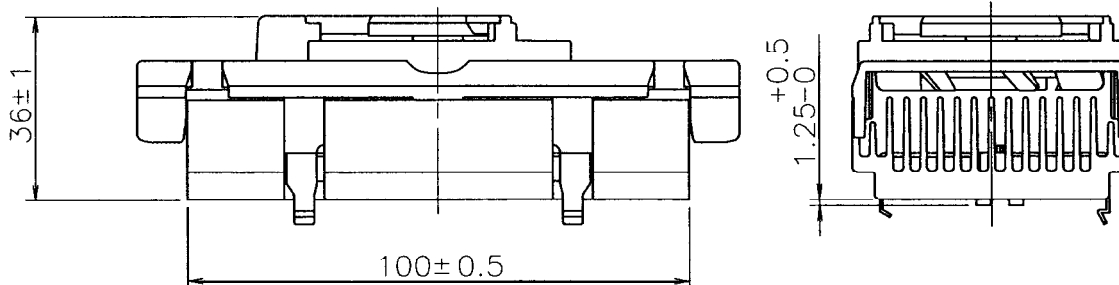
Post Header  
 AMP P/N 173981-J or  
 KYOCERA ELCO P/N00-8283-0312-00-000

REFERENCE **ONLY**

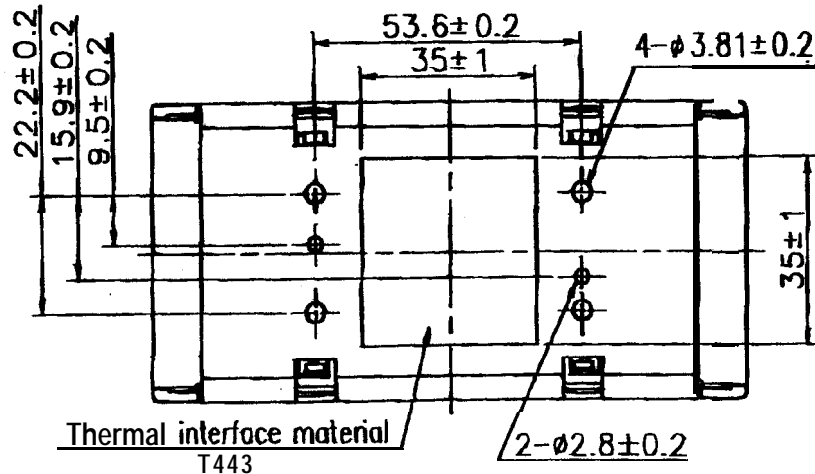
Terminal No.1 (SENSOR)  
 Terminal No.2 ⊖  
 Terminal No.3 ⊕



Rated Voltage	12 V.DC	
Operating Voltage	12 V $\pm 10\%$ (10.8~13.2 V.DC)	
Current	0.16 A Max. at 12 V.DC	
Speed	6000 min <sup>-1</sup> (6000 rpm) at 12 V.DC at 25 °C (Nominal)	
Dielectric Strength	One minute at 500 V, AC50/60 Hz Note.2	
Insulating Resistance	10 MΩ Min. at 500 V.DC Note.2	
Operating Temp. Range	0 °C ~ +60 °C	
Thermal Resistance $\theta_{plate-a}$	0.44 K/W at 6000 min <sup>-1</sup> (6000 rpm)	
Noise	41 dB(A) (Nominal) at 6000 min <sup>-1</sup> (6000 rpm) Note.1	
Mass	Approx. 180 g	
Protection	Locked rotor protection Polarity protection	
Material	Frame, Impeller	Plastics, Black
	(Heat Sink)	Aluminum, Black'



Matching connector (Ref.)		
Crimp type (AMP)	Housing	179228-3
	Terminal	179518-1 (Loose) 179227-1 (Reel)
Press type (AMP)	173977-3	



Note.1 The Noise which is measured at the place of 100 cm distance from motor surface.

Note.2 The Value which is measured between the terminals and the frame.

Note.3 Sensor specification is regard to 9D0001H046.

Note.4 Thermal interface material : **Chomerics INC. T443**

山洋電気株式会社  
 SANYO DENKI CO., LTD.

109P1612A1036