

Recessed Pop-Up Receptacle

Concealed receptacle provides a safe and aesthetic solution for countertop power.

NEW!

Recessed Pop-Up Receptacle

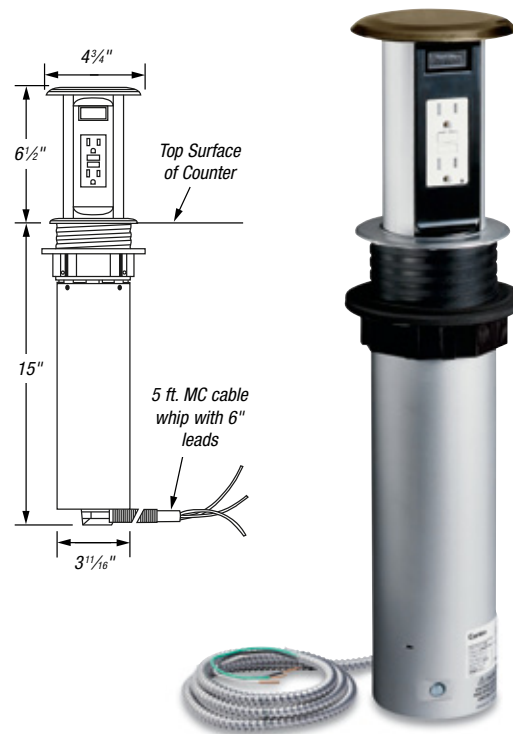
Now you can provide power for small appliances on kitchen island counter tops safely and conveniently with the new Carlton® Recessed Pop-Up Receptacle. When not in use, the receptacle remains concealed beneath the counter, showing only a stylish nickel, bronze or brass cover. Simply press down slightly on the cover to release the latch, and the Recessed Pop-Up Receptacle rises, revealing a duplex GFCI outlet. The Pop-Up Receptacle can also be mounted in bath counters or other work surfaces.

In addition to promoting safety by eliminating hanging power cords and providing a tamper-resistant GFCI receptacle, the Recessed Pop-Up Receptacle also includes gaskets under the flange and around the main body to prevent spilled liquids from entering the electrical enclosure, regardless of whether the receptacle is open or closed. The Recessed Pop-Up Receptacle is the first device to pass the new UL® Spill Test developed specifically for receptacles of this type.



Features

- Provides a duplex GFCI outlet in a kitchen island or peninsula counter for easy access to power for small appliances
- Eliminates the potential safety hazard of power cords hanging over the edge of counters to reach side-mounted outlets
- Meets new UL® and NEC® requirements for receptacles mounted in kitchen counters
- Receptacle remains recessed below counter when not in use
- To access outlet, simply press down on cover and the receptacle pops up
- Cover available in three finishes to match any kitchen décor — nickel, oil-rubbed bronze or brass
- Ideal countertop power solution for kitchens, baths and other work surfaces



Specifications

Cover Size: 4 3/4" diameter
Mounting Hole: 3 3/4" Diameter
Outlet: (1) duplex tamper-resistant GFCI receptacle — 15A, 125VAC, 60Hz, 20A Feed-Through

MC Cable Whip: 12/2 with ground wire, 5' long with 6" leads

Listings/Compliances:
 — UL® 943
 — CSA C22.2 No. 144.1
 — NEC® Article 210.52(C)(5)
 — NEC® Article 406.5(E)

NEC is a registered trademark of the National Fire Protection Association, Inc.



CAT. NO.	DESCRIPTION	STD. PKG. QTY.
KPR-15G-NKL	Recessed Pop-Up Receptacle with Duplex GFCI and Nickel Finish Cover	1
KPR-15G-BRZ	Recessed Pop-Up Receptacle with Duplex GFCI and Oil-Rubbed Bronze Finish Cover	1
KPR-15G-BRS	Recessed Pop-Up Receptacle with Duplex GFCI and Brass Finish Cover	1