

R4 Rotary Latch

Mini · Concealed · Single and two stage

- Single or multi-point latch capability
- Compatible with wide array of actuators
- EN 45545-3 E60 Compliant (For standard version only)
- Integrated bumper version for anti-vibration feature

Material and Finish

Steel, zinc plated or 304 stainless steel, passivated

Performance Details

Average ultimate load: 4600 N (1100 lbf)

Installation Notes

See page 259

Accessories

Striker bolt see page 259

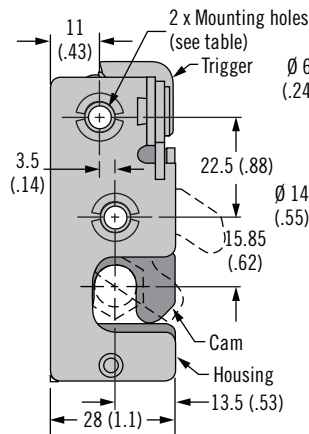
Cables and retainer clips see pages 272-275

Notes

Electromechanical rotary latch available see page 23

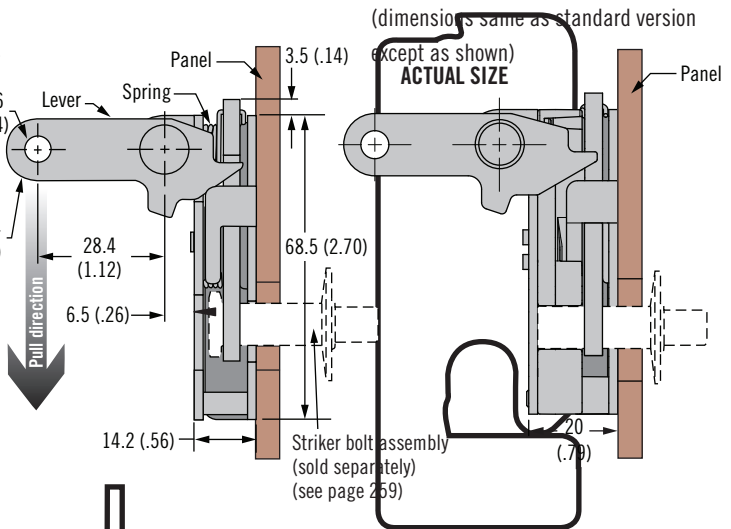
Dimensions in millimeters (inch) unless otherwise stated

Single Stage - Perpendicular (left hand actuation shown)

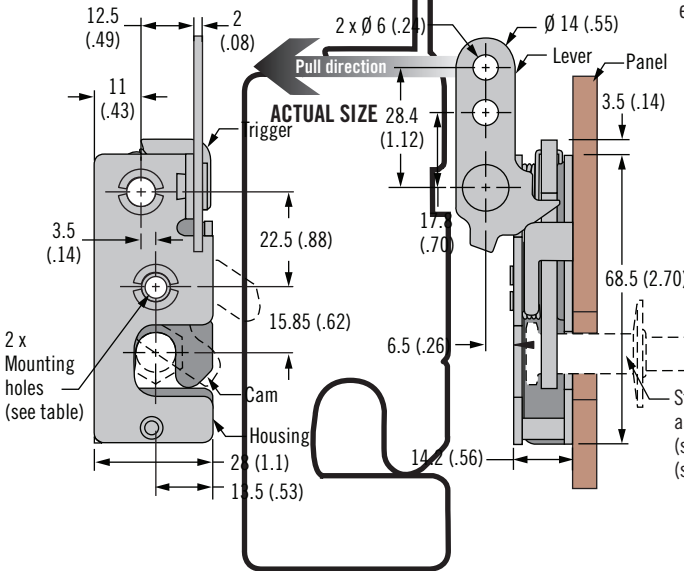


Integrated Bumper Version

(dimensions same as standard version except as shown) **ACTUAL SIZE**

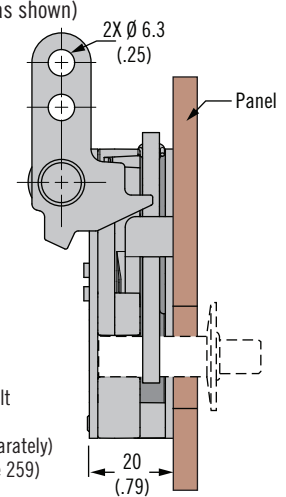


Single Stage - In-Line (left hand actuation shown)



Integrated Bumper Version

(dimensions same standard version except as shown)



Part Number Selection

S Stage & Actuation

- 1 Single stage, right hand
- 2 Single stage, left hand
- 3 Two stage, right hand
- 4 Two stage, left hand

L Lever Type

- 1 Perpendicular
- 2 In-Line

I Mounting Style

- 0 Ø7.2 (.283) thru
- 1 1/4-20 thread
- 2 M6 x 1 thread

B Base Style

- 1 Standard
- 5 Integrated bumper version

M Material

- 10 Steel
- 20 Stainless steel

R4 - 10 - S I - L 0 B - M

Other options available. For complete details on variety, part numbers, installation and specification, go to

www.southco.com/R4



Request Info

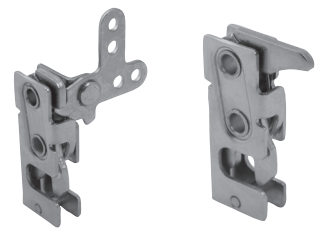


1-800-453-1692

www.aboveboardelectronics.com

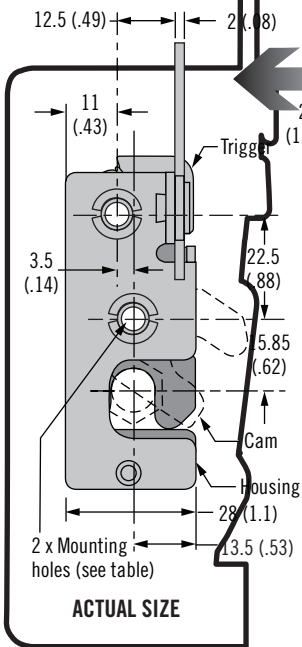
R4 Rotary Latch

Mini · Concealed · Single and two stage

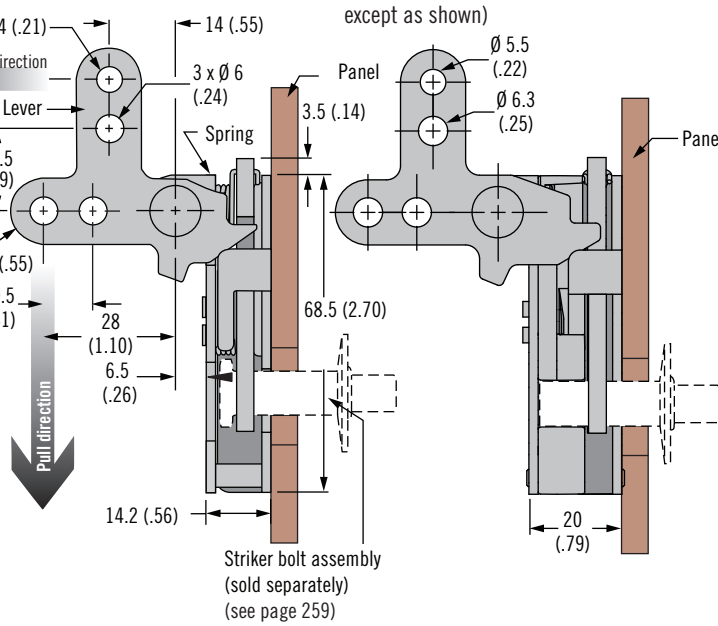


Dimensions in millimeters (inch) unless otherwise stated

Single Stage - Two Point (left hand actuation shown)



Integrated Bumper Version (dimensions same as standard version except as shown)



- Single or multi-point latch capability
- Compatible with wide array of actuators
- EN 45545-3 E60 Compliant (For standard version only)
- Integrated bumper version for anti-vibration feature

Material and Finish

Steel, zinc plated or 304 stainless steel, passivated

Performance Details

Average ultimate load
Steel: 4600 N (1100 lbf)
Stainless Steel: 4000 N (900 lbf)

Installation Notes

See page 259

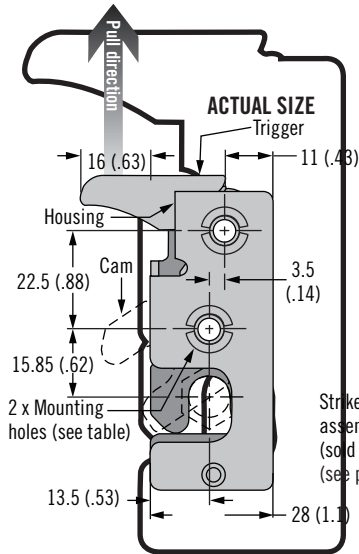
Accessories

Striker bolt see page 259
Cables and retainer clips see page 272-275

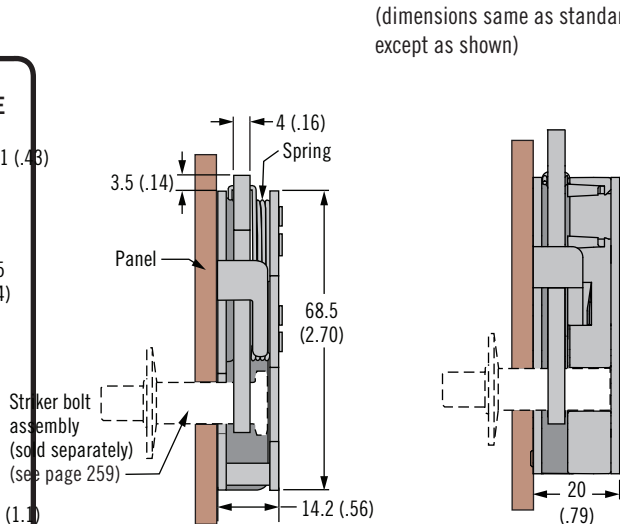
Notes

Electromechanical rotary latch available see page 23

Single Stage - Hand Actuation



Integrated Bumper Version (dimensions same as standard version except as shown)



Part Number Selection

S Stage & Actuation

- 1 Single stage, right hand
- 2 Single stage, left hand
- 3 Two stage, right hand
- 4 Two stage, left hand

I Mounting Style

- 0 $\varnothing 7.2 (.283)$ thru
- 1 1/4-20 thread
- 2 M6 x 1 thread

B Base Style

- 1 Standard
- 5 Integrated bumper version

L Lever Type

- 3 Two point
- 4 Hand actuation

M Material

- 10 Steel
- 20 Stainless steel

R4 - 10 - S I - L O B - M

Other options available. For complete details on variety, part numbers, installation and specification, go to





R4 Rotary Latch

Mini · Concealed · Single and two stage

- Single or multi-point latch capability
- Compatible with wide array of actuators
- EN 45545-3 E60 Compliant (For standard version only)
- Integrated bumper version for anti-vibration feature

Material and Finish

Steel, zinc plated or 304 stainless steel, passivated

Performance Details

Average ultimate load
 Steel: 4600 N (1100 lbf)
 Stainless steel: 4000 N (900 lbf)

Installation Notes

See page 259

Accessories

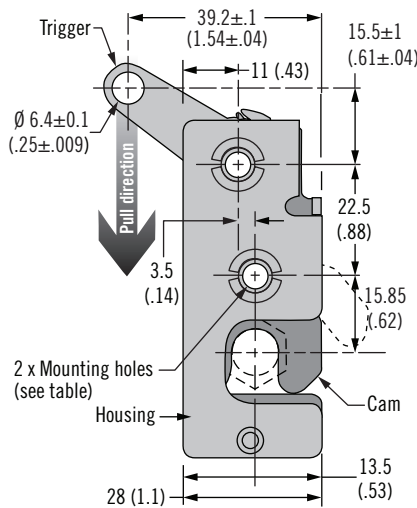
Striker bolt see page 259
 Cables and retainer clips see pages 272-275

Notes

Electromechanical rotary latch available see page 23

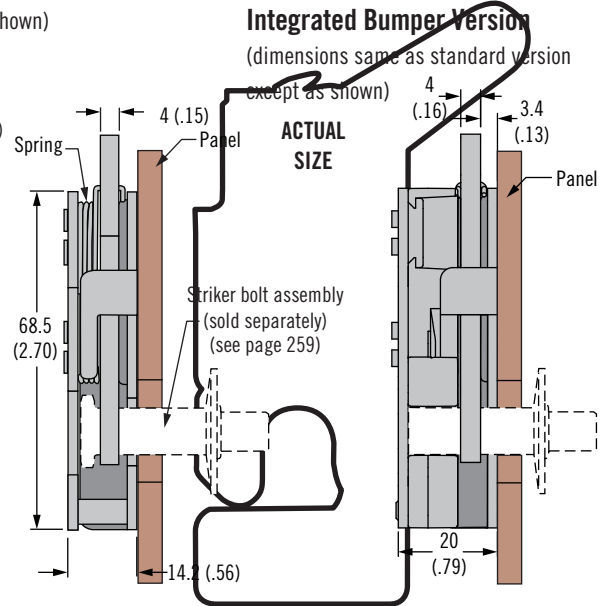
Dimensions in millimeters (inch) unless otherwise stated

Single Stage - Bottom (left hand actuation shown)

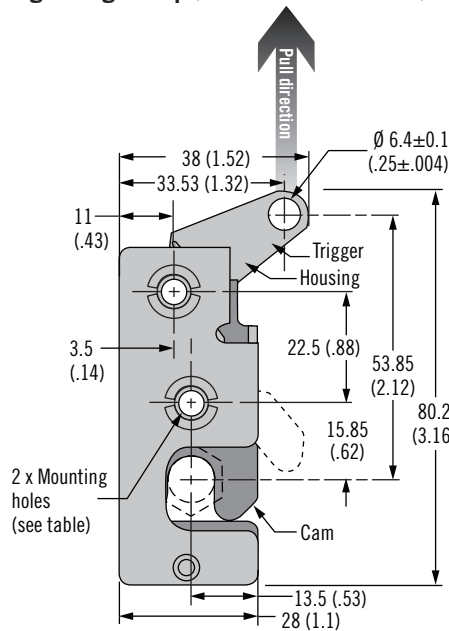


Integrated Bumper Version

(dimensions same as standard version except as shown)

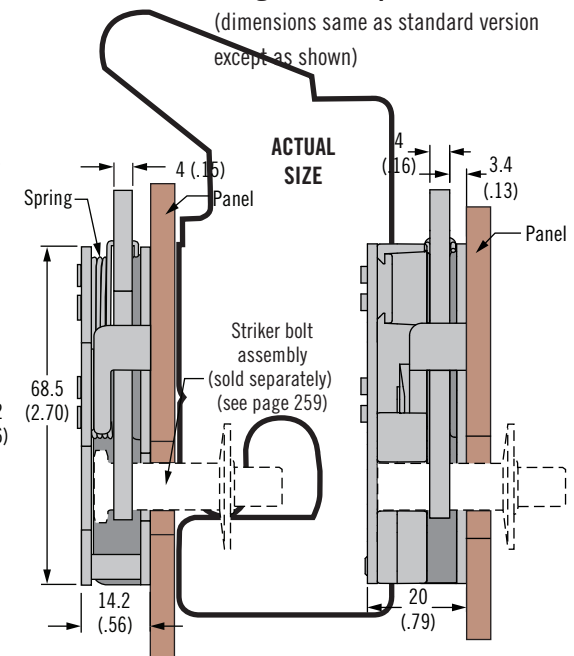


Single Stage - Top (left hand actuation shown)



Integrated Bumper

(dimensions same as standard version except as shown)



Part Number Selection

<p>S Stage & Actuation</p> <ul style="list-style-type: none"> 1 Single stage, right hand 2 Single stage, left hand 3 Two stage, right hand 4 Two stage, left hand 	<p>L Lever Type</p> <ul style="list-style-type: none"> 5 Bottom 6 Top
<p>I Mounting Style</p> <ul style="list-style-type: none"> 0 Ø7.2 (.283) thru 1 1/4-20 thread 2 M6 x 1 thread 	<p>M Material</p> <ul style="list-style-type: none"> 10 Steel 20 Stainless steel
<p>B Base Style</p> <ul style="list-style-type: none"> 1 Standard 5 Integrated bumper version 	

R4 - 10 - S I - L O B - M

Other options available. For complete details on variety, part numbers, installation and specification, go to

www.southco.com/R4

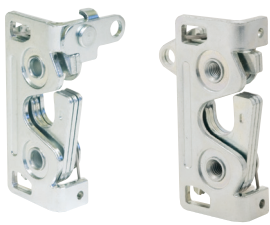


Request Info



1-800-453-1692

www.aboveboardelectronics.com



R4 Rotary Latch

Large · Concealed · Two stage

Dimensions in millimeters (inch) unless otherwise stated

- Single or multi-point latch capability
- Compatible with wide array of actuators
- FMVSS 206 compliant
- EN 45545-3 E60 Compliant

Material and Finish

Steel, zinc plated or stainless steel

Performance Details

Average ultimate load:
 10675 N (2400 lbf) as shown
 14230 N (3200 lbf) with
 support bracket. Contact Southco
 for more information

Installation Notes

See page 261

Accessories

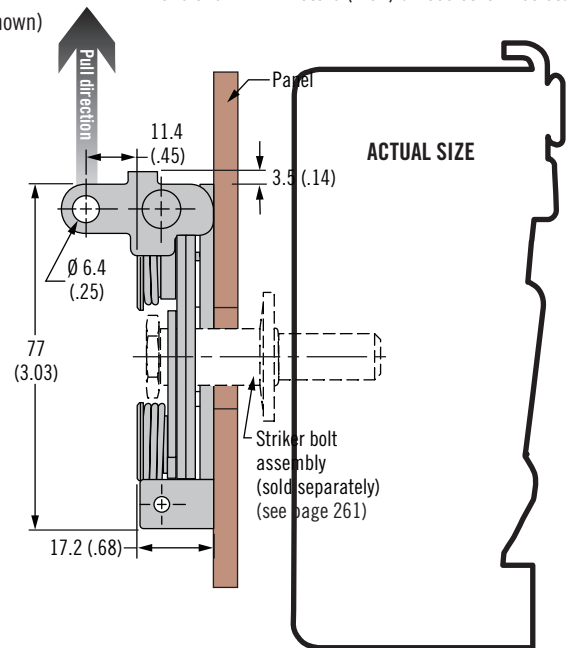
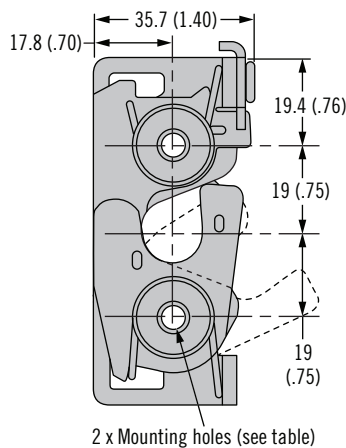
Striker bolt see page 261

Cables and retainer clips
 see pages 272-275

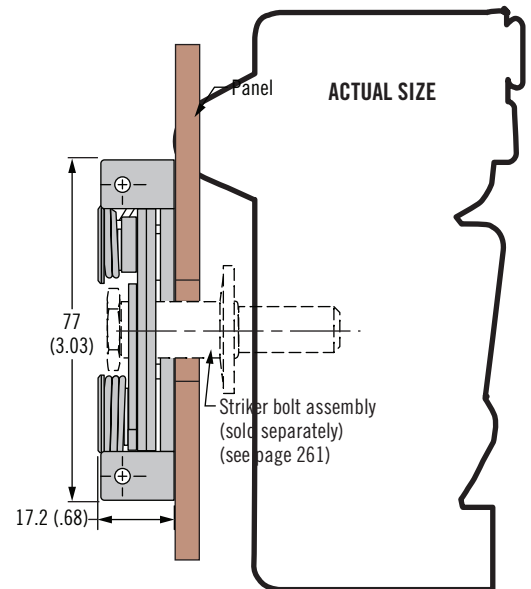
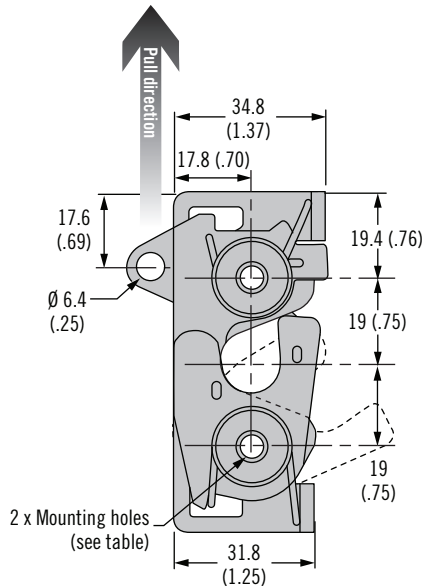
Notes

Electromechanical rotary latch
 available see page 23

Two Stage - Perpendicular (left hand actuation shown)



Two Stage - Bottom (left hand actuation shown)



Part Number Selection

S Stage & Actuation

- 3 Two stage, right hand
- 4 Two stage, left hand

L Lever Type

- 1 Perpendicular
- 3 Two point
- 5 Bottom

R4 - 30 - S I - L 0 1 - M

I Mounting Style

- 0 Ø7.2 (.283) thru
- 1 1/4-20 thread
- 2 M6 x 1 thread

M Material

- 10 Steel
- 20 Stainless steel

Other options available. For complete details on variety, part numbers, installation and specification, go to

www.southco.com/R4



Request Info



1-800-453-1692

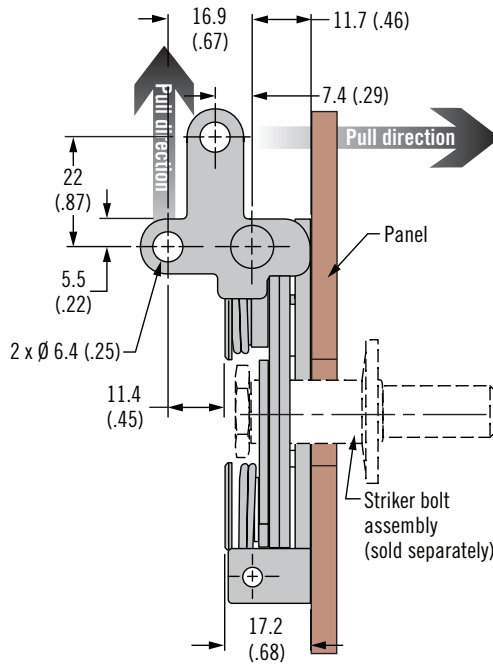
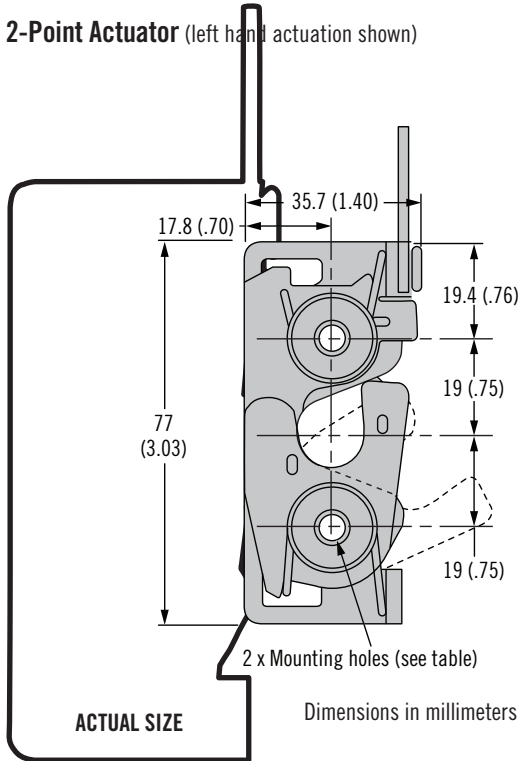
www.aboveboardelectronics.com

R4 Rotary Latch

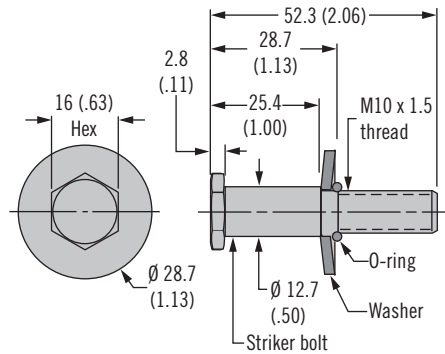
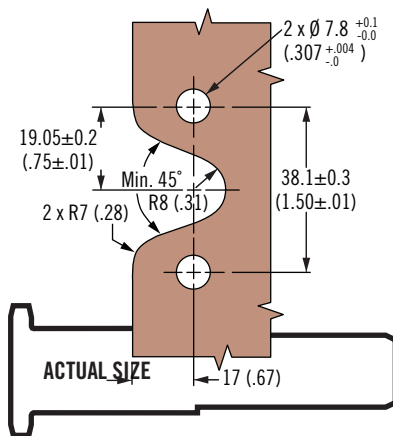
Large · Concealed · Two stage



2-Point Actuator (left hand actuation shown)



Striker Bolt Assembly (sold separately)

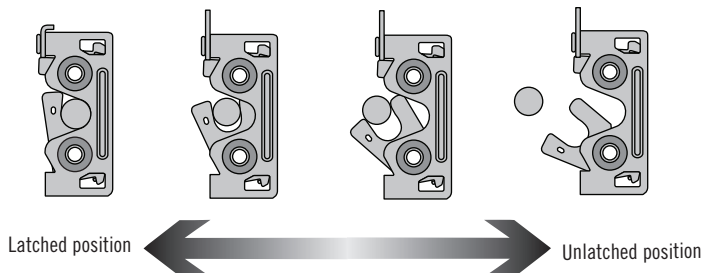


Striker Bolt Assembly Part Number

See table

Striker Bolt Part Number	
Part Number	Material
R4-90-321-10	Steel
R4-90-321-20	Stainless Steel

Operation





R4 Rotary Latch

Medium · Concealed · Single and two stage

- Single or multi-point latch capability
- Compatible with wide array of Actuators
- EN 45545-3 E60 Compliant

Material and Finish

Steel, zinc plated

Accessories

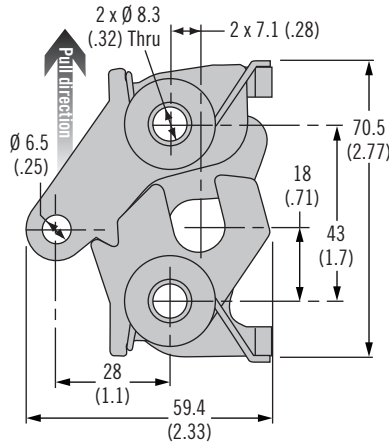
Cables and retainer clips see pages 272-275

Notes

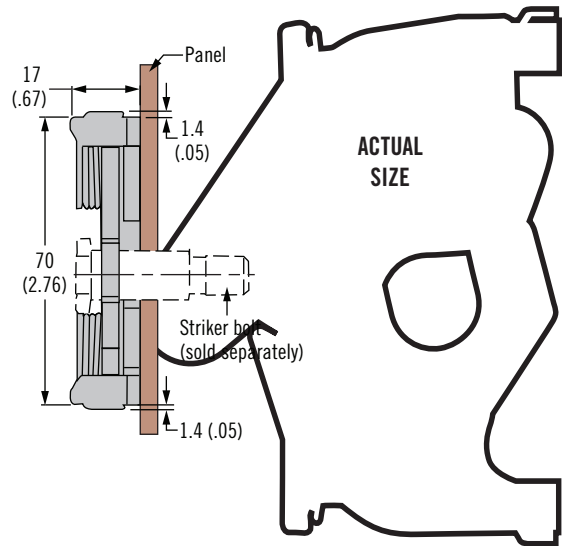
Electromechanical rotary latch available see page 23

For panel preparation visit www.southco.com/R4

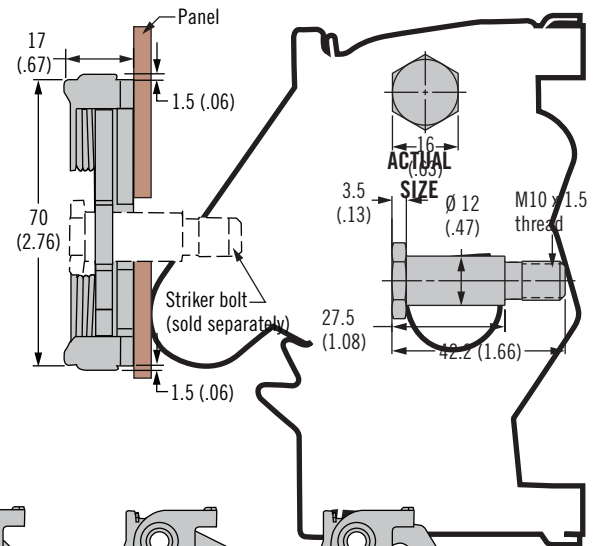
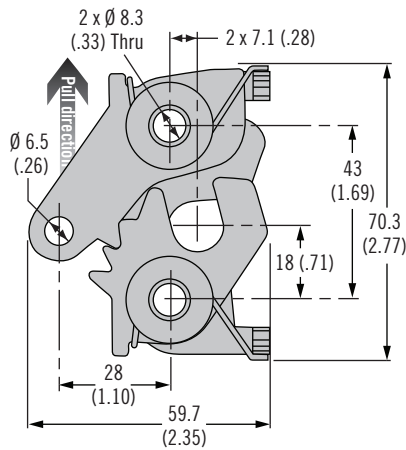
Single Stage (left hand actuation shown)



Dimensions in millimeters (inch) unless otherwise stated

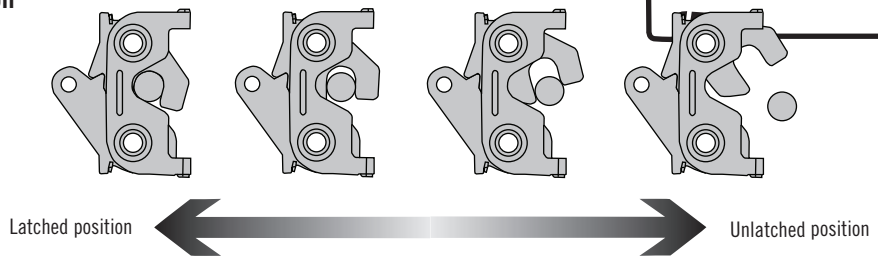


Two Stage (left hand actuation shown)



Striker Bolt (sold separately)

Operation



Part Number

See table

Order latch and striker separately

Position	Part Number		
	Left Hand Actuation	Right Hand Actuation	Striker Bolt
Single stage	R4-20-20-501-10	R4-20-10-501-10	R4-91-231-10
Two stage	R4-20-40-501-10	R4-20-30-501-10	

Other options available. For complete details on variety, part numbers, installation and specification, go to

www.southco.com/R4



Request Info



1-800-453-1692

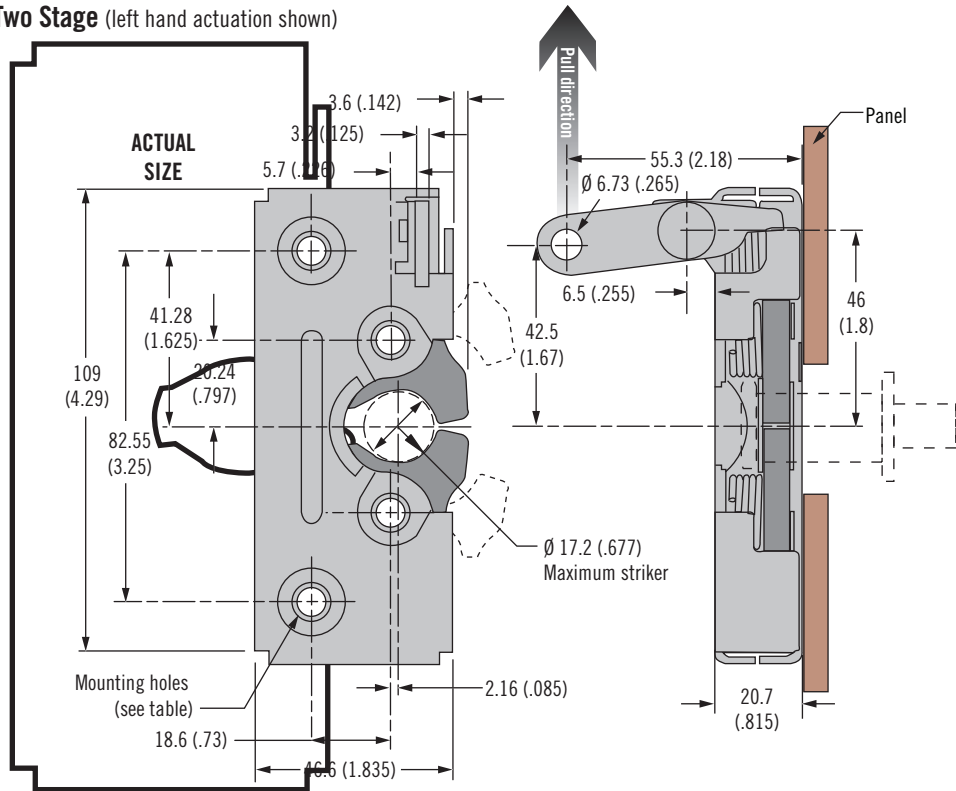
www.aboveboardelectronics.com

R4 Rotary Latch

Heavy-duty · Two stage



Two Stage (left hand actuation shown)



- Single or multi-point latch capability
- Compatible with wide array of actuators
- FMVSS 206 compliant
- EN 45545-3 E60 Compliant

Material and Finish

Steel, zinc plated

Accessories

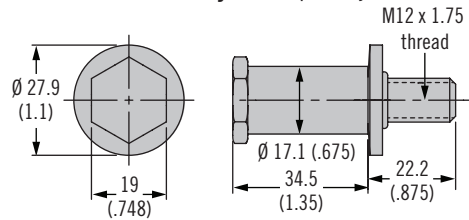
Cables and retainer clips
see pages 272-275

Notes

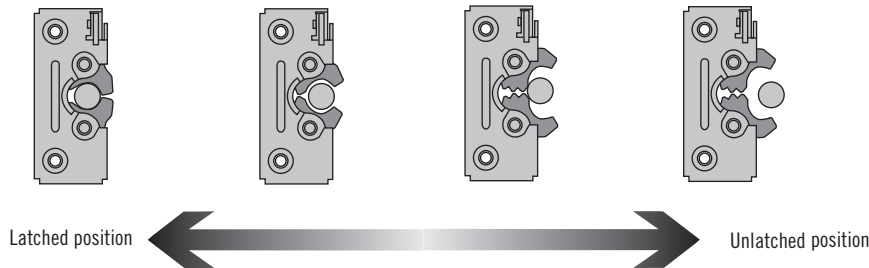
Electromechanical rotary latch available see page 23
For panel preparation visit www.southco.com/R4

Striker Bolt Assembly (sold separately)

Dimensions in millimeters (inch) unless otherwise stated



Operation



Mounting Style	Part Number		
	Left Hand Actuation	Right Hand Actuation	Striker Bolt
Ø 7.2 (.283) Thru	R4-50-40-101-10	R4-50-30-101-10	R4-90-441-10
1/4-20 Thread	R4-50-41-101-10	R4-50-31-101-10	
M6 X 1 Thread	R4-50-42-101-10	R4-50-32-101-10	

Part Number

See table
Order latch and striker bolt separately

Other options available. For complete details on variety, part numbers, installation and specification, go to

