

R4 Push-to-Close Latch

Rotary latch · Mini · Concealed · Single stage

- Single or multi-point latch capability
- Compatible with wide array of actuators

Material and Finish

Steel, zinc plated

Performance Details

Average ultimate load:
4600 N (1100 lbf)

Installation Notes

See page 125

Accessories

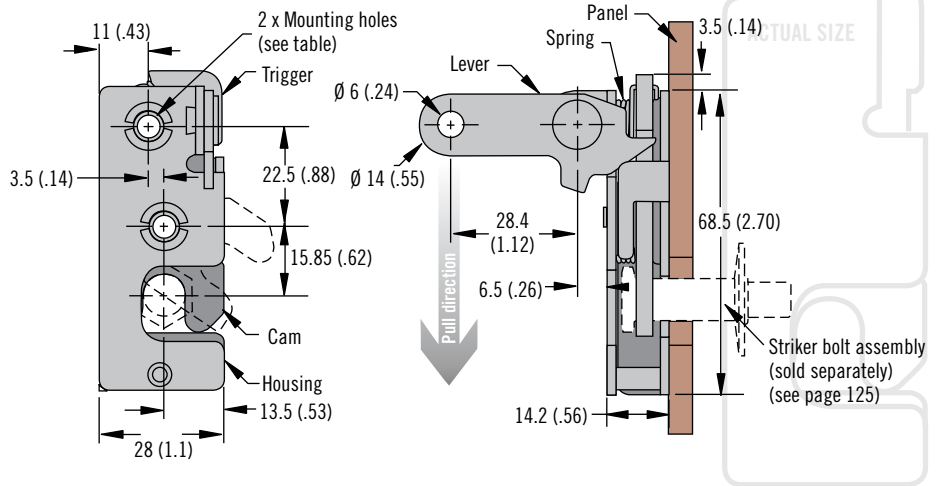
Striker bolt see page 125

Cables and retainer clips
see page 131

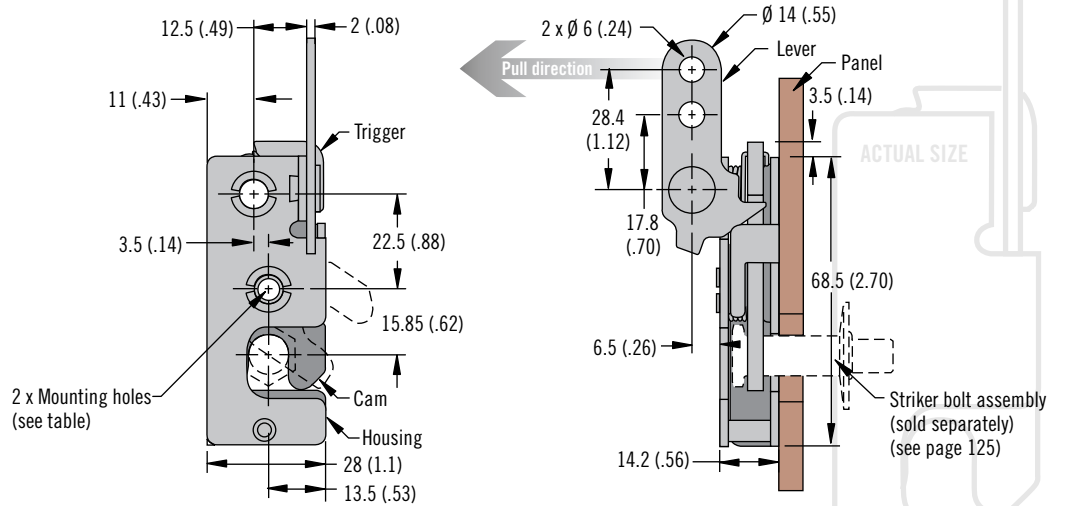
Notes

Electromechanical rotary latch
available see pages 28 - 29

Single Stage - Perpendicular (left hand actuation shown)



Single Stage - In-Line (left hand actuation shown)



Part Number

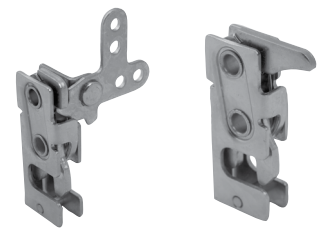
See table

Mounting Style	Panel Hole	Part Number			
		Perpendicular		In-Line	
		Left hand actuation	Right hand actuation	Left hand actuation	Right hand actuation
Ø 7.2 (.283) Thru	Ø 7.6 (.299)	R4-10-20-101-10	R4-10-10-101-10	R4-10-20-201-10	R4-10-10-201-10
1/4-20 Thread	Ø 6.8 (.268)	R4-10-21-101-10	R4-10-11-101-10	R4-10-21-201-10	R4-10-11-201-10
M6 X 1 Thread	Ø 6.4 (.252)	R4-10-22-101-10	R4-10-12-101-10	R4-10-22-201-10	R4-10-12-201-10

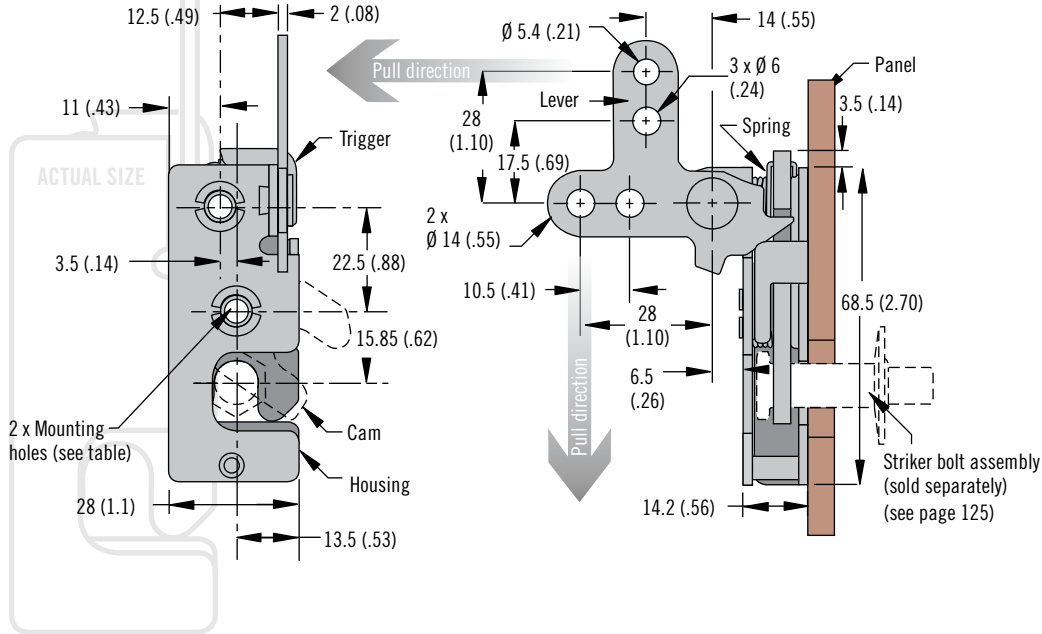


R4 Push-to-Close Latch

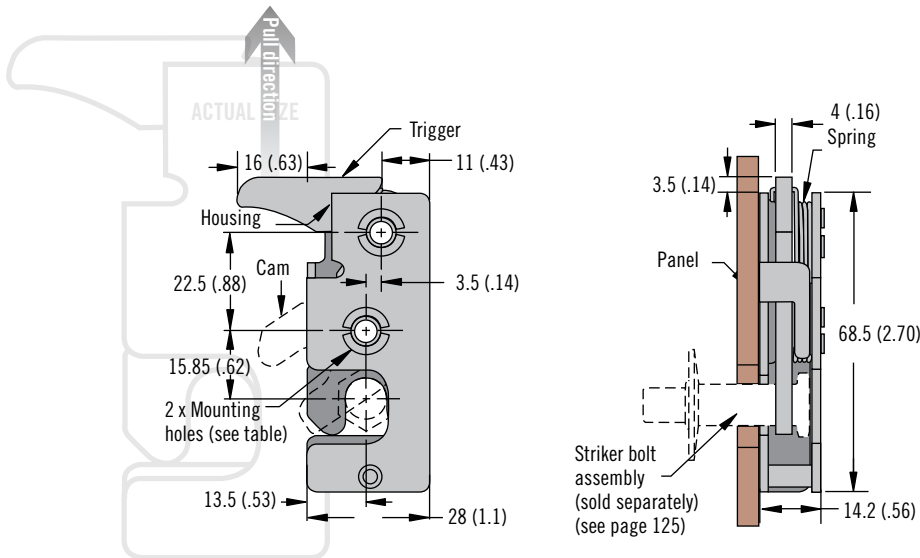
Rotary latch · Mini · Concealed · Single stage



Single Stage - Two Point (left hand actuation shown)



Single Stage - Hand Actuation



- Single or multi-point latch capability
- Compatible with wide array of actuators

Material and Finish

Steel, zinc plated

Performance Details

Average ultimate load:
4600 N (1100 lbf)

Installation Notes

See page 125

Accessories

Striker bolt see page 125

Cables and retainer clips
see page 131

Notes

Electromechanical rotary latch
available see pages 28 - 29

Mounting Style	Panel Hole	Part Number		
		Two Point		Hand Actuation
		Left hand actuation	Right hand actuation	
Ø 7.2 (.283) Thru	Ø 7.6 (.299)	R4-10-20-301-10	R4-10-10-301-10	R4-10-10-401-10
1/4-20 Thread	Ø 6.8 (.268)	R4-10-21-301-10	R4-10-11-301-10	R4-10-11-401-10
M6 X 1 Thread	Ø 6.4 (.252)	R4-10-22-301-10	R4-10-12-301-10	R4-10-12-401-10

Part Number

See table





R4 Push-to-Close Latch

Rotary latch · Mini · Concealed · Single stage

- Single or multi-point latch capability
- Compatible with wide array of actuators

Material and Finish

Steel, zinc plated

Performance Details

Average ultimate load:
4600 N (1100 lbf)

Installation Notes

See page 125

Accessories

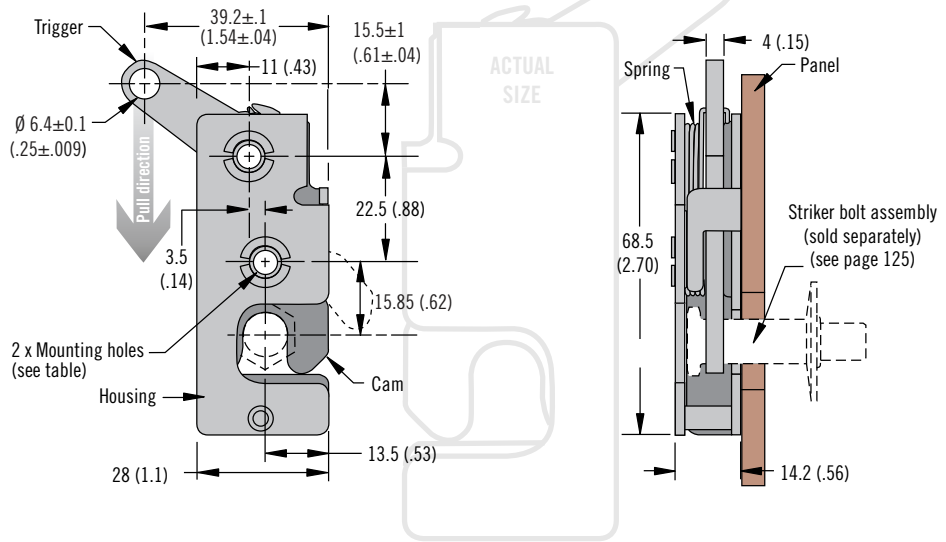
Striker bolt see page 125

Cables and retainer clips
see page 131

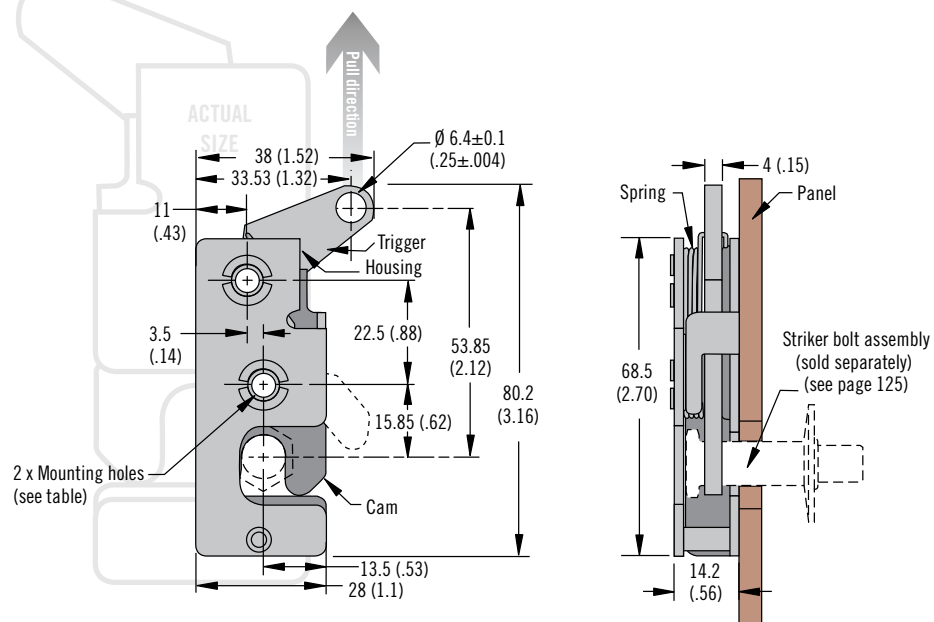
Notes

Electromechanical rotary latch
available see pages 28 - 29

Single Stage - Bottom (left hand actuation shown)



Single Stage - Top (left hand actuation shown)



Part Number

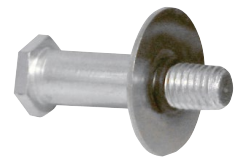
See table

Mounting Style	Panel Hole	Part Number			
		Bottom		Top	
		Left hand actuation	Right hand actuation	Left hand actuation	Right hand actuation
Ø 7.2 (.283) Thru	Ø 7.6 (.299)	R4-10-20-501-10	R4-10-10-501-10	R4-10-20-601-10	R4-10-10-601-10
1/4-20 Thread	Ø 6.8 (.268)	R4-10-21-501-10	R4-10-11-501-10	R4-10-21-601-10	R4-10-11-601-10
M6 X 1 Thread	Ø 6.4 (.252)	R4-10-22-501-10	R4-10-12-501-10	R4-10-22-601-10	R4-10-12-601-10

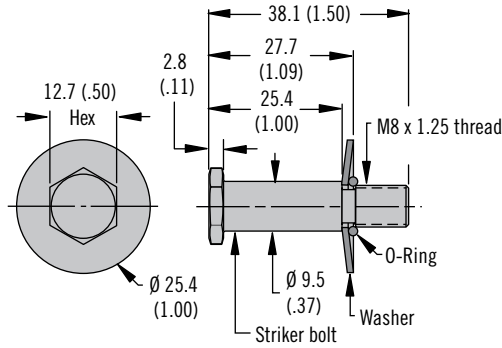


R4 Push-to-Close Latch

Striker bolt · Mini · Installation



Striker Bolt Assembly (sold separately)



Striker Bolt Part Number
R4-90-121-10

- Striker bolt for R4-10 series rotary latch

Material and Finish

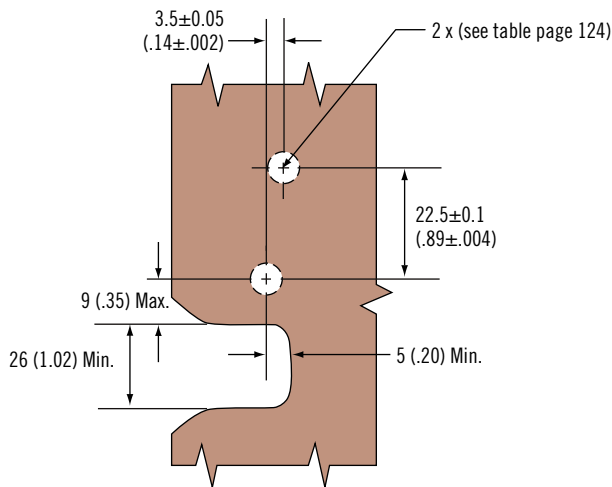
Steel, zinc plated

Notes

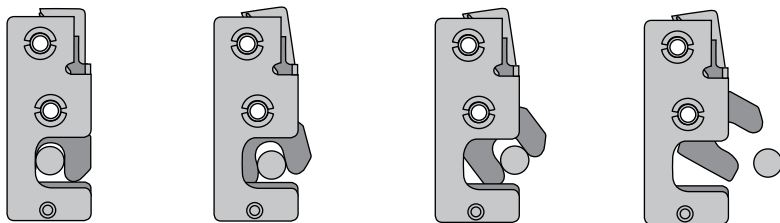
Electromechanical rotary latch available see pages 28 - 29

Part Number

See table



Operation



Latched position ← → Unlatched position





R4 Push-to-Close Latch

Rotary latch · Large · Concealed · Two stage

- Single or multi-point latch capability
- Compatible with wide array of actuators
- FMVSS 206 compliant

Material and Finish

Steel, zinc plated

Performance Details

Average ultimate load:
 10675 N (2400) as shown
 14230 N (3200 lbf) with support bracket. Contact Southco for more information

Installation Notes

See page 127

Accessories

Striker bolt see page 127

Cables and retainer clips see page 131

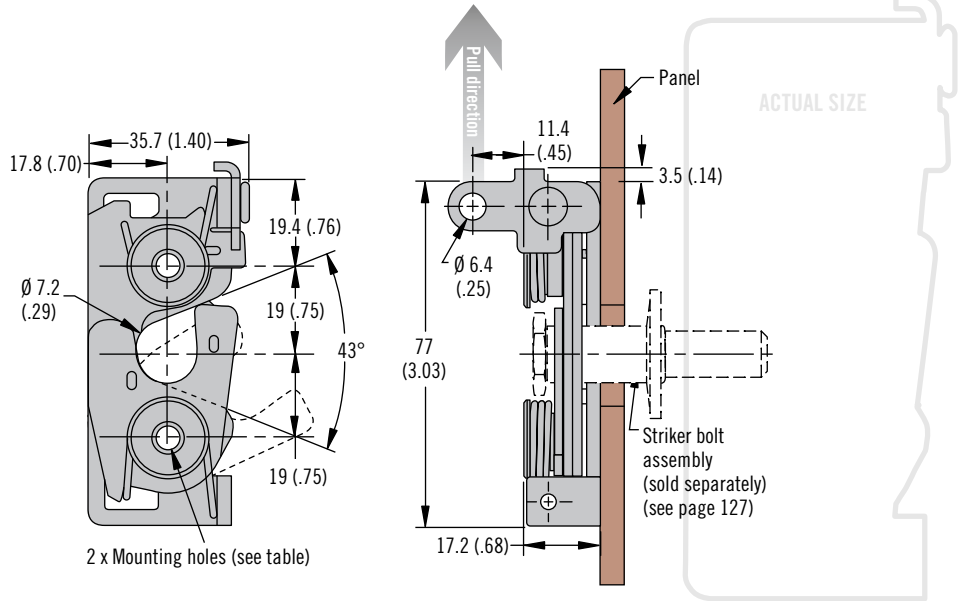
Notes

Electromechanical rotary latch available see pages 28 - 29

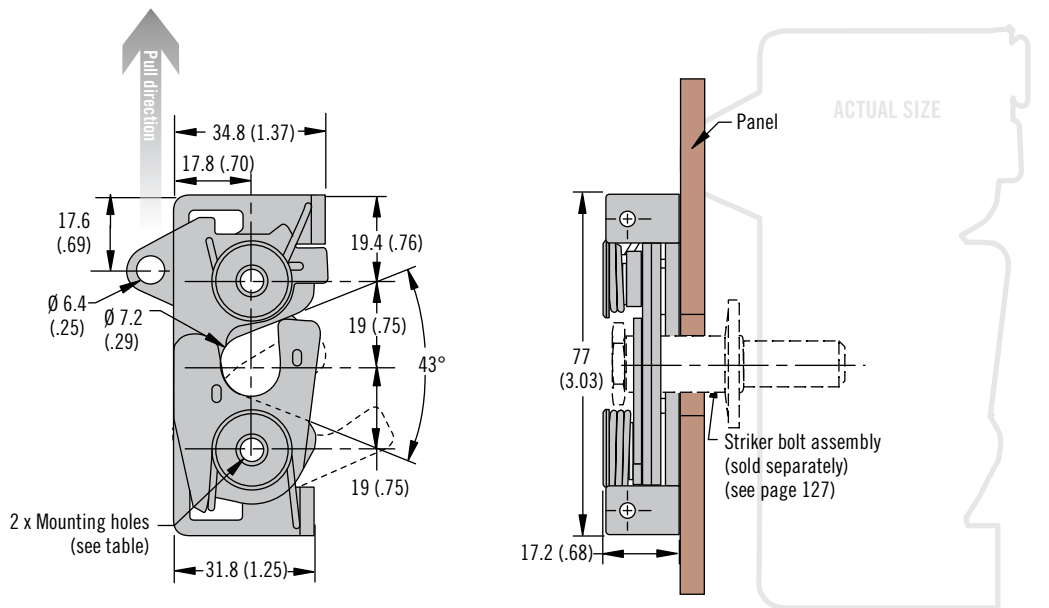
Part Number

See table

Two Stage - Perpendicular (left hand actuation shown)



Two Stage - Bottom (left hand actuation shown)



Mounting Style	Part Number			
	Perpendicular		Bottom	
	Left hand actuation	Right hand actuation	Left hand actuation	Right hand actuation
Ø 6.7 (.265) Thru	R4-30-40-101-10	R4-30-30-101-10	R4-30-40-501-10	R4-30-30-501-10
1/4-20 Thread	R4-30-41-101-10	R4-30-31-101-10	R4-30-41-501-10	R4-30-31-501-10
M6 x 1 Thread	R4-30-42-101-10	R4-30-32-101-10	R4-30-42-501-10	R4-30-32-501-10

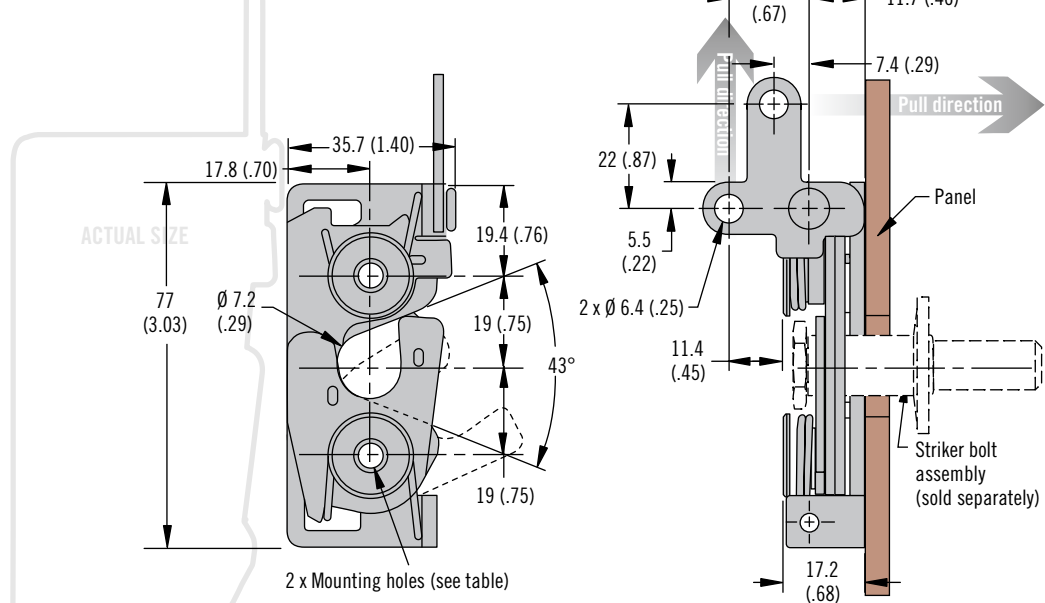


R4 Push-to-Close Latch

Rotary latch · Large · Concealed · Two stage



2-Point Actuator (left hand actuation shown)



Mounting Hole	Part Number Left Hand Actuation	Part Number Right Hand Actuation
Ø 6.7 (.265) Thru	R4-30-40-301-10	R4-30-30-301-10
1/4-20 Thread	R4-30-41-301-10	R4-30-31-301-10
M6 X 1 Thread	R4-30-42-301-10	R4-30-32-301-10

- Single or multi-point latch capability
- Compatible with wide array of actuators
- FMVSS 206 compliant

Material and Finish

Steel, zinc plated

Performance Details

Average ultimate load:
 10675 N (2400) as shown
 14230 N (3200 lbf) with support bracket. Contact Southco for more information

Accessories

Cables and retainer clips
 see page 131

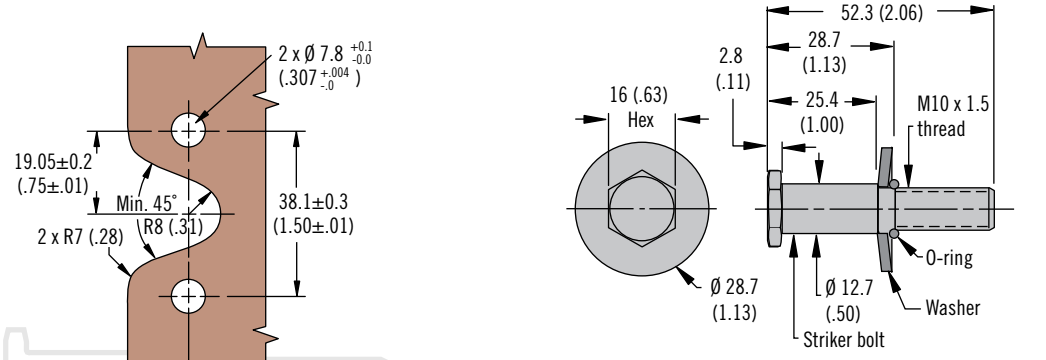
Notes

Electromechanical rotary latch
 available see pages 28 - 29

Part Number

See table

Striker Bolt Assembly (sold separately)



Striker Bolt Part Number
R4-90-321-10

- Striker bolt for R4-30 series rotary latch

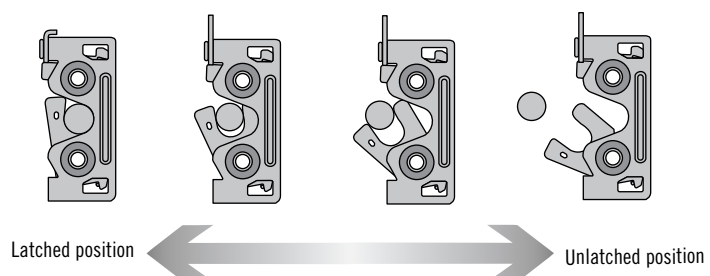
Material and Finish

Steel, zinc plated

Part Number

See table

Operation





R4 Push-to-Close Latch

Rotary latch · Medium · Concealed · Single and two stage

- Single or multi-point latch capability
- Compatible with wide array of Actuators

Material and Finish

Steel, zinc plated

Accessories

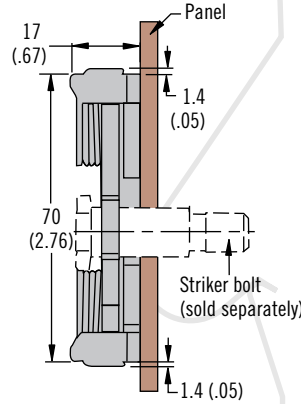
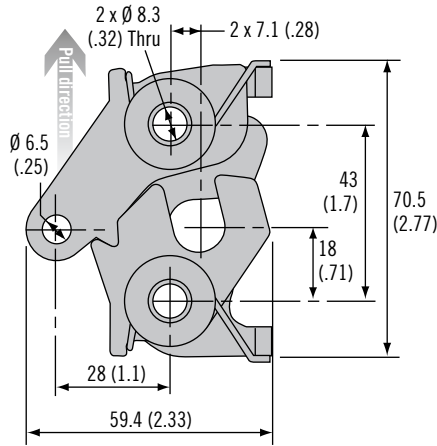
Cables and retainer clips see page 131

Notes

Electromechanical rotary latch available see pages 28 - 29

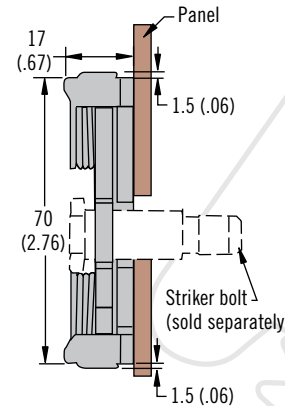
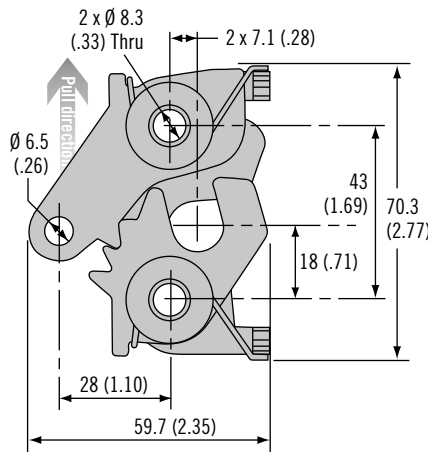
For panel preparation visit www.southco.com/R4

Single Stage (left hand actuation shown)

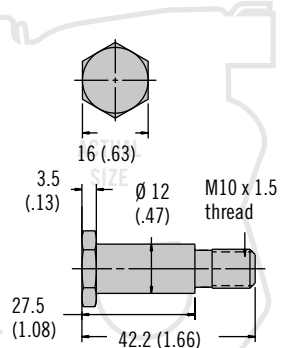


ACTUAL SIZE

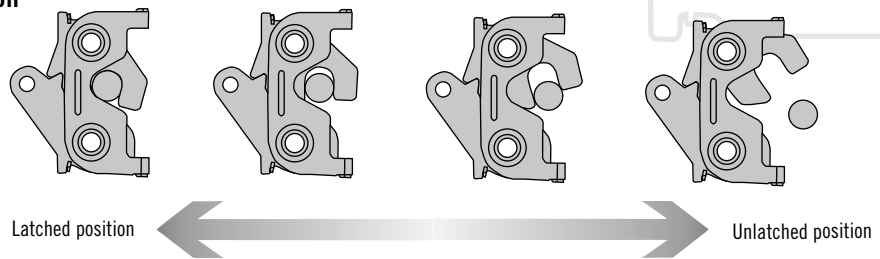
Two Stage (left hand actuation shown)



Striker Bolt (sold separately)



Operation



Part Number

See table

Order latch and striker separately

Position	Part Number		
	Left Hand Actuation	Right Hand Actuation	Striker Bolt
Single stage	R4-20-20-501-10	R4-20-10-501-10	R4-91-231-10
Two stage	R4-20-40-501-10	R4-20-30-501-10	

Other options available. For complete details on variety, part numbers, installation and

www.southco.com/R4



Request Info



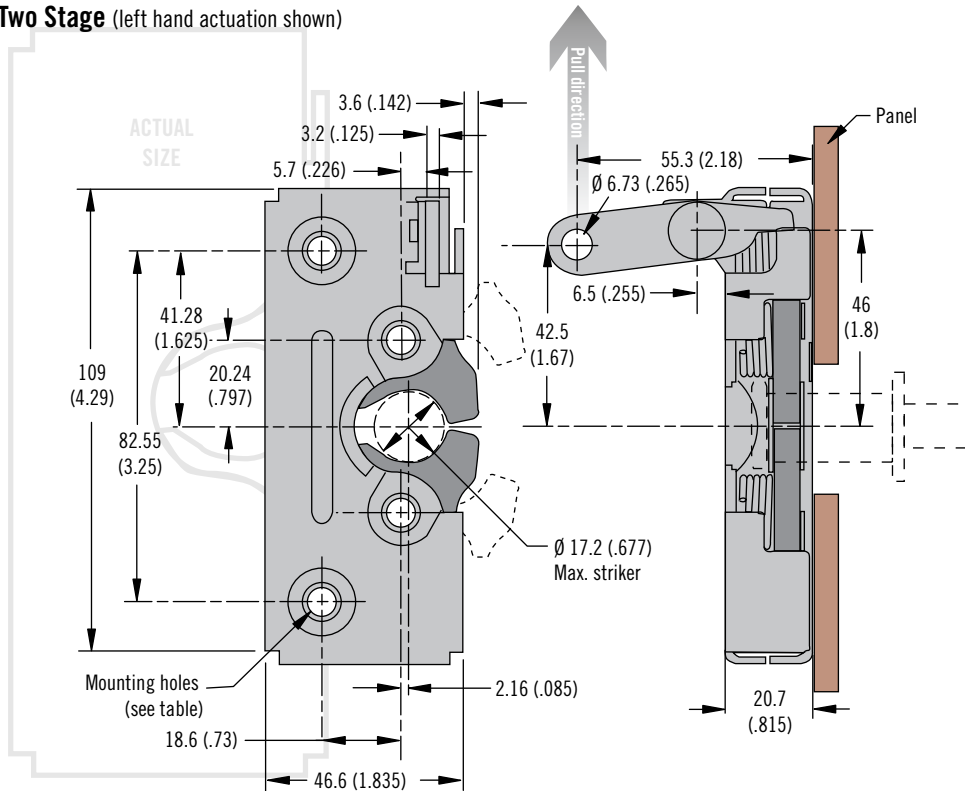
1-800-453-1692
www.aboveboardelectronics.com

R4 Push-to-Close Latch

Rotary latch · Heavy-duty · Two stage



Two Stage (left hand actuation shown)



- Single or multi-point latch capability
- Compatible with wide array of actuators
- FMVSS 206 compliant

Material and Finish

Steel, zinc plated

Accessories

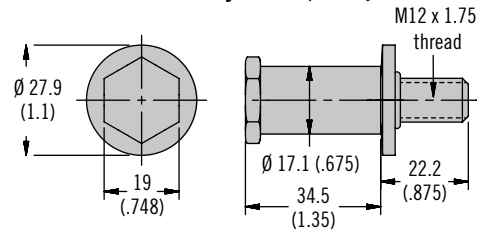
Cables and retainer clips
see page 131

Notes

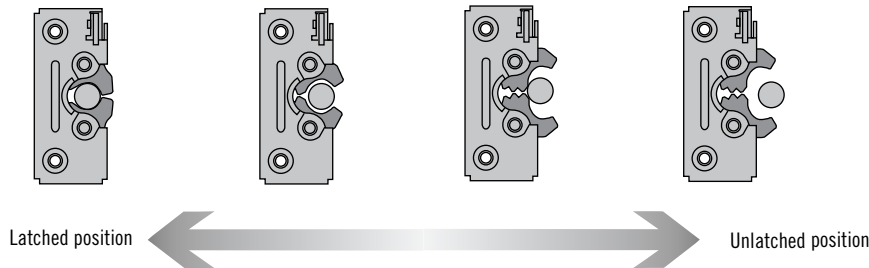
Electromechanical rotary latch
available see pages 28 - 29

For panel preparation visit
www.southco.com/R4

Striker Bolt Assembly (sold separately)



Operation



Mounting Style	Part Number		
	Left Hand Actuation	Right Hand Actuation	Striker Bolt
Ø 7.2 (.283) Thru	R4-50-40-101-10	R4-50-30-101-10	R4-90-441-10
1/4-20 Thread	R4-50-41-101-10	R4-50-31-101-10	
M6 X 1 Thread	R4-50-42-101-10	R4-50-32-101-10	

Part Number

See table
Order latch and striker bolt
separately

Other options available. For complete details
on variety, part numbers, installation and

www.southco.com/R4



Request Info



1-800-453-1692

www.aboveboardelectronics.com