



M1 Push-to-Close Latch

Small · Stainless steel

- Single, round-hole installation
- Locking style restricts access
- Premium finish and corrosion resistance
- Privacy lock on locking version

Material and Finish

Latch: 316 grade stainless steel and bright polished
 Spacer: Nylon, black
 Contact Southco for other finishes

Performance Details

Max. static load: 545 N (122 lbf)

Accessories

One key supplied per latch for additional keys order
 M7-88-9121324-S



Spacer: M1-510-96-1
 (Sold separately)



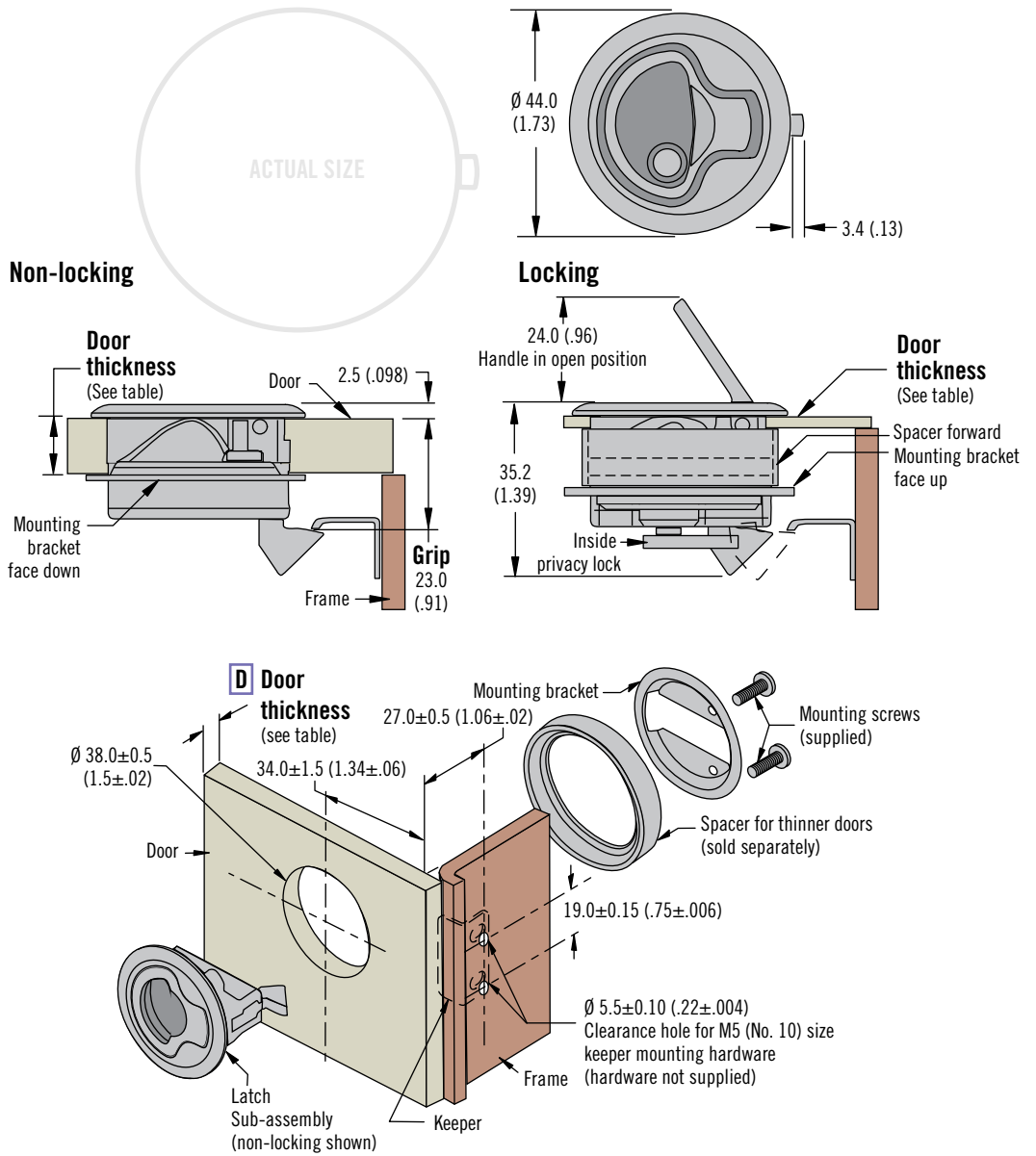
Keeper: M1-510-19-8

Mounting screws: M1-510-96-4

Installation Notes

Use the reference table to determine if a spacer is required for the door thickness and the correct mounting bracket orientation. The spacer shown is in the forward position.

Part Number Selection



∅ Door Thickness	Spacer Orientation	Mounting Bracket Orientation
1.0 - 5.0 (.04 - .20)	Forward	Face Up
5.0 - 9.0 (.20 - .36)	Reverse	Face Up
9.0 - 14.5 (.36 - .57)	(not required)	Face Up
14.5 - 21.0 (.57 - .83)	(not required)	Face Down

M1 - 15 - **L** 1 - 8

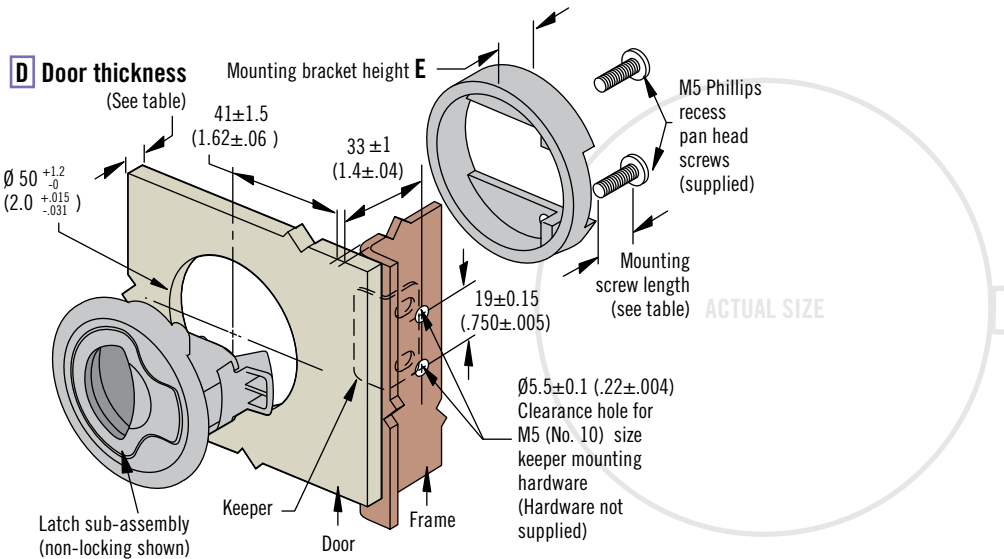
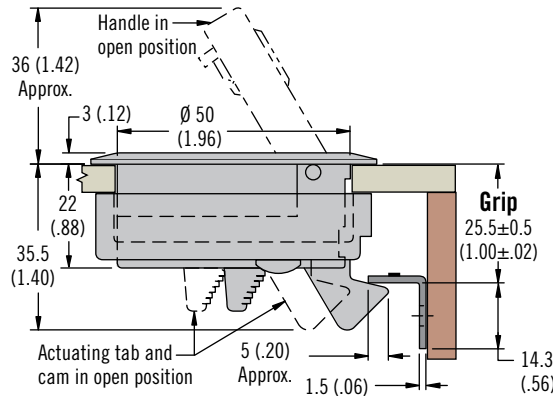
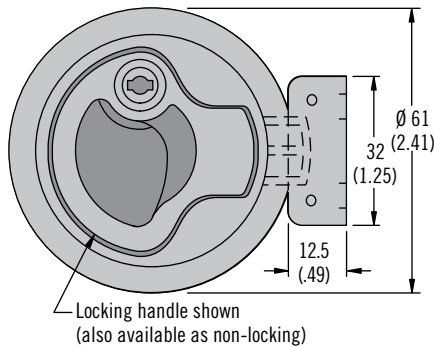
L Lock style

4 Locking (one tubular key supplied)

6 Non-locking

M1 Push-to-Close Latch

Medium · Stainless steel · Plastic



D Door Thickness		Mounting Bracket Height E	Mounting Screw Length	Replacement Screw Part Number
Min.	Max.			
2 (.075)	7 (.275)	14 (.55)	16 (.63)	M1-0-27358-01
7 (.275)	12 (.475)	14 (.55)	20 (.81)	M1-0-27358-02
12 (.475)	17 (.675)	3.8 (.15)	16 (.63)	M1-0-27358-01
17 (.675)	22 (.875)	3.8 (.15)	20 (.81)	M1-0-27358-02

D Door thickness

- 2 - 7 (.075 - .275)
- 7 - 12 (.275 - .475)
- 12 - 17 (.475 - .675)
- 17 - 22 (.675 - .875)

L Lock style

- 4 Locking (2 keys supplied)
- 6 Non-locking
- 7 Key-locking keyed alike S008 (2 overmolded keys supplied) (Only available for stainless steel version)

F Finish

- 1 White Thermoplastic
- 7 Beige Thermoplastic
- 8 Stainless steel (omit for black)

M1 - L D - F

- Single, round-hole installation
- Corrosion-resistant materials
- Inside actuation when locked or unlocked

Material and Finish

Stainless steel: 316 grade electro polished or PC/PBT blend, black, white or beige

Performance Details

Max. working load:
Stainless Steel: 835 N (187 lbf)
PC/ABT blend 270 N (60 lbf)

Operating temperature range:
-18 °C (0 °F) to 60 °C (140 °F)

Flammability rating:
UL94-HB (plastic version)

Installation Notes

Max. tightening torque on mounting screws: 1.7 N·m (15 in·lbf)

Accessories

Keeper
Part number: M1-519-4

For lock style 4

Key (pair)
Part number: M1-546

For lock style 7

Overmolded key S008 (pair)
Part number:
M1-525-39-S008

Part Number Selection

See page 70 for complimentary styled compression version



M1 Push-to-Close Latch

Large · Stainless steel

- Single, round-hole installation
- Corrosion-resistant materials
- Inside actuation when locked or unlocked

Material and Finish

Stainless steel 316 grade electro polished

Performance Details

Max. working load: 835 N (187 lbf)

Operating temperature range: -18°C (0°F) to 60°C (140°F)

Installation Notes

Max. tightening torque on mounting screws: 1.7 N·m (15 in·lbf)

Accessories

Keeper

Part number: M1-525-19-4

For lock style 4

Key (pair)

Part number: M1-546

For lock style 7

Overmolded key S008 (pair)

Part number: M1-525-39-S008

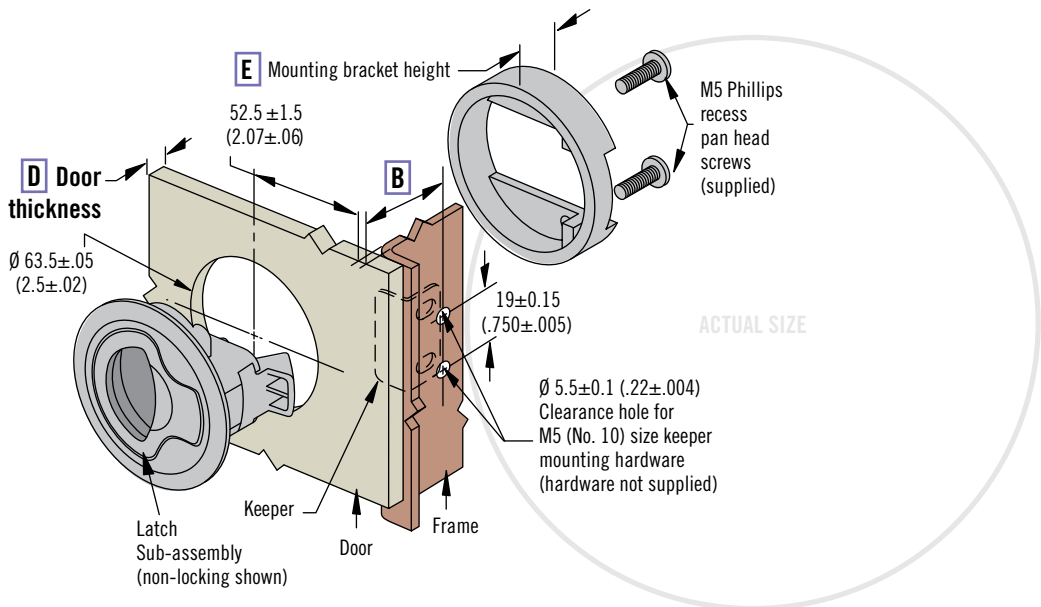
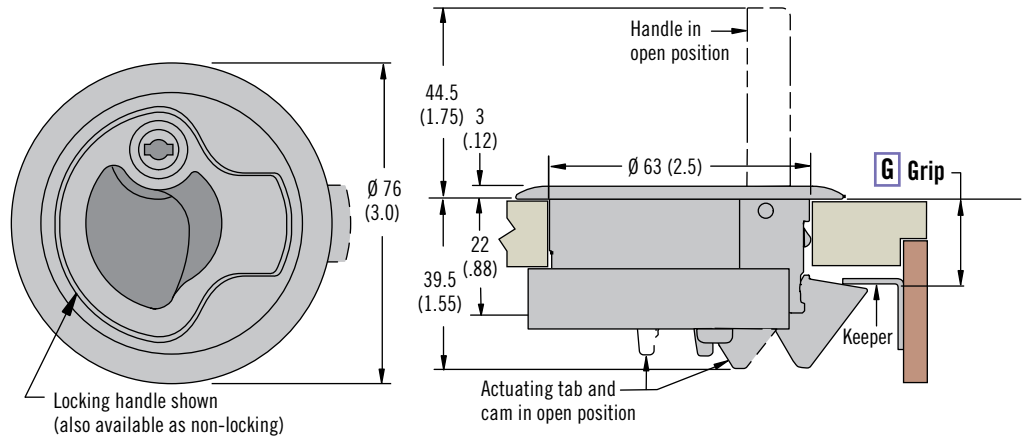


Replacement mounting screw

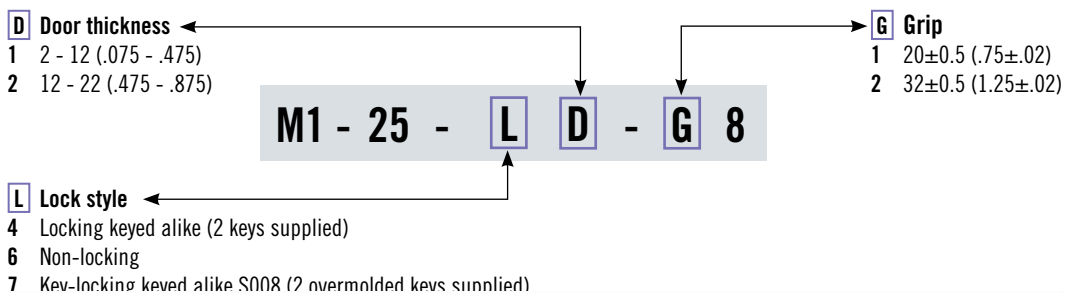
Part number: M1-0-27358-02

Part Number Selection

See page 71 for complimentary styled compression version



G Grip	E Mounting Bracket Height	D Door Thickness		B
		Min.	Max.	
20±0.5 (.75±.02)	22 (.875)	2 (.075)	12 (.475)	27 (1.10)
32±0.5 (1.25±.02)	22 (.875)	2 (.075)	12 (.475)	39 (1.54)
20±0.5 (.75±.02)	12 (.475)	12 (.475)	22 (.875)	27 (1.10)
32±0.5 (1.25±.02)	12 (.475)	12 (.475)	22 (.875)	39 (1.54)

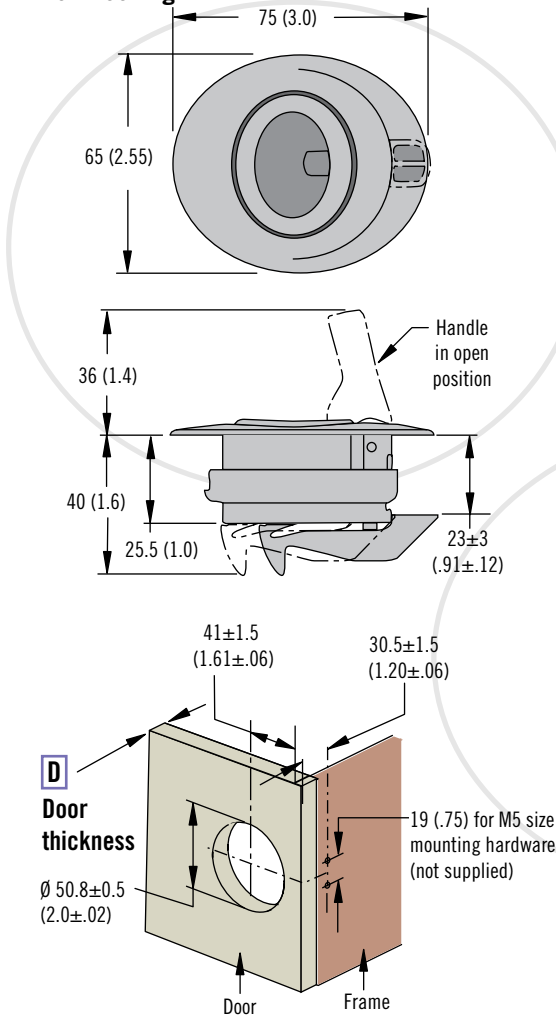


MP Push-to-Close Latch

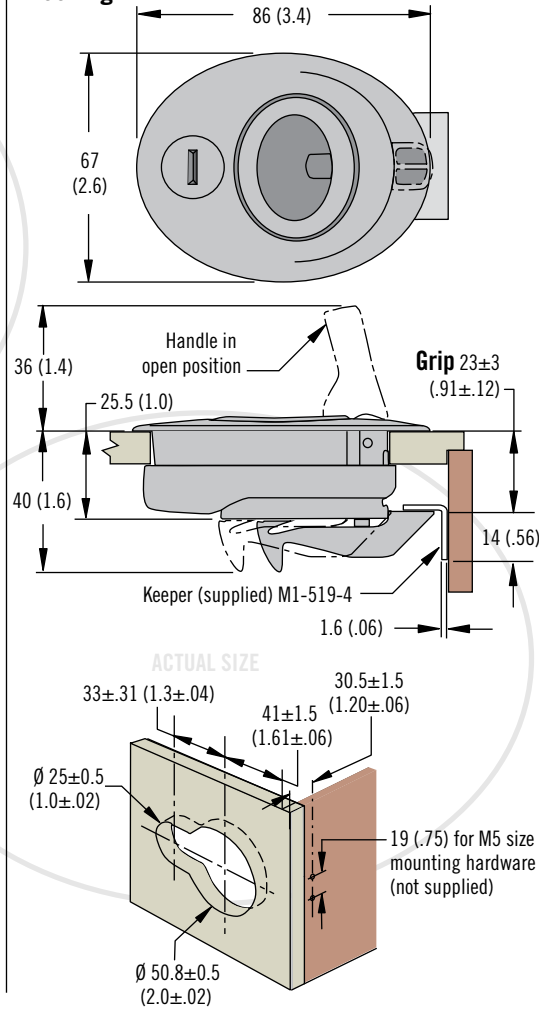
Medium · Plastic



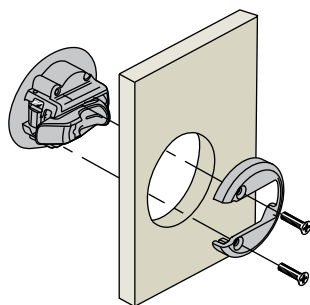
Non-Locking



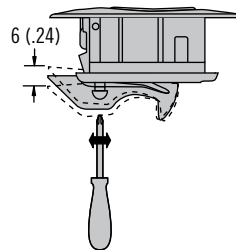
Locking



Installation



Grip Adjustment



- Adjustable Grip
- Round-hole installation
- Inside actuation when locked or unlocked

Material and Finish

Housing cover, cup and handle:
Stainless steel,
316 grade electro polished
Housing:
PC/PBT blend, black or white

Performance Details

Max. working load: 270 N (60 lbf)
Operating temperature range:
-18°C (0°F) to 60°C (140°F)
Flammability rating: UL94-HB

Installation Notes

Max. tightening torque on mounting screws (supplied):
1.7 N·m (15 in·lbf)

Accessories

Keeper
Part number: M1-519-4
Key 948 (pair)
Part number: MF-98-948-41



Replacement mounting screw
Part number: MP-520-28-4

Part Number Selection

MP - 03 - 1 L D - F 0

F Finish
 00 316 Stainless cover over black housing
 55 Black housing
 77 White housing

L Lock style
 0 Non-locking
 1 Key-locking keyed alike 948 (2 keys supplied)

D Door thickness
 0 10 - 16 (.39 - .63)
 1 16 - 22 (.63 - .87)



M1 Push-to-Close Latch

Pull-to-open

- Single, round-hole installation
- Flush pop out knob
- Corrosion-resistant materials

Material and Finish

PC/ABS, black, chrome plated or gold colored PVD

Performance Details

Max. working load: 310 N (70 lbf)

Operating temperature range:
-30°C (-22°F) to 60°C (140°F)

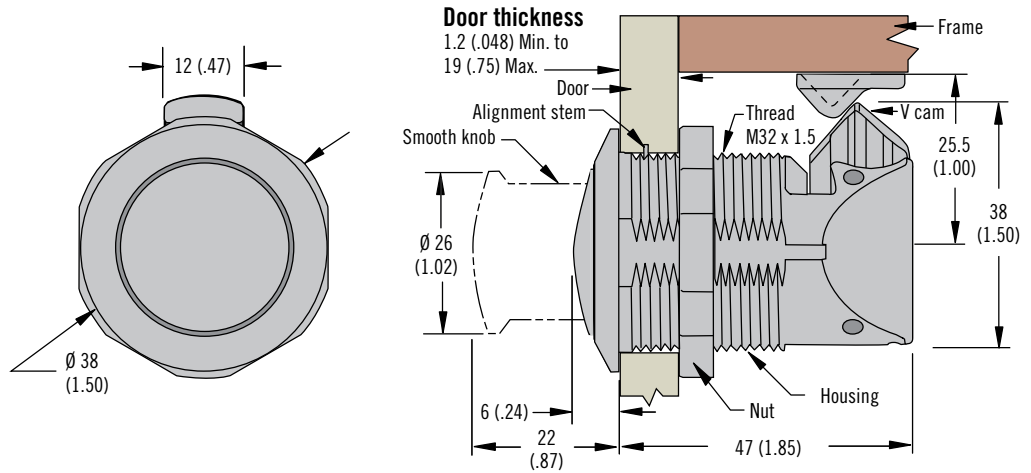
Flammability rating: UL94-HB

Installation Notes

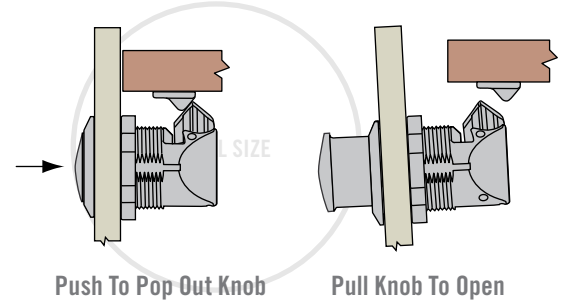
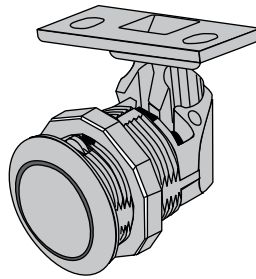
Max. tightening torque on mounting nut:
4.2 N·m (37 in·lbf)

Accessories

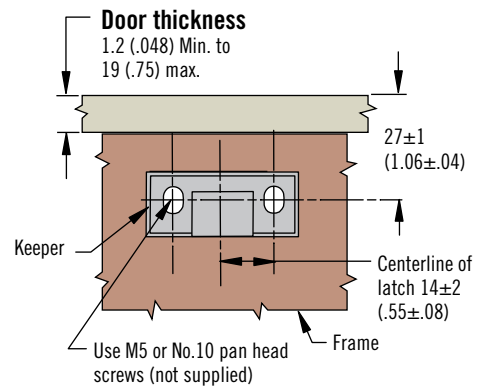
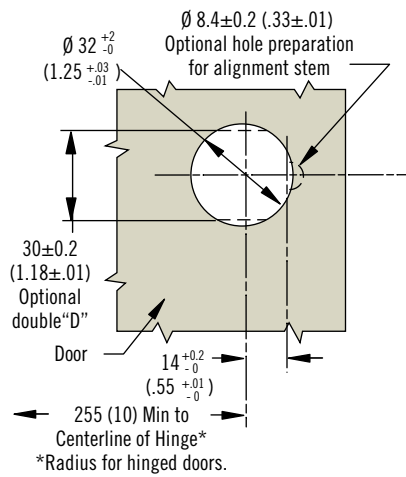
Replacement Keeper
Part number: M1-2A-9-105-41



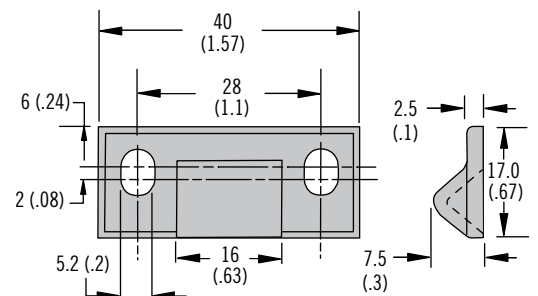
Closed



Installation



Keeper



Part Number

See table

Finish	Part Number
Chrome	M1-2A-15-1
Black	M1-2A-15-5
Gold	M1-2A-15-8



M1 Push-to-Close Latch

Turn-to-open



- Single, round-hole installation
- Flush pop out knob
- Corrosion-resistant materials

Material and Finish

PC/ABS, black, chrome plated or gold colored PVD

Performance Details

Max. working load: 310 N (70 lbf)

Operating temperature range: -30°C (-22°F) to 60°C (140°F)

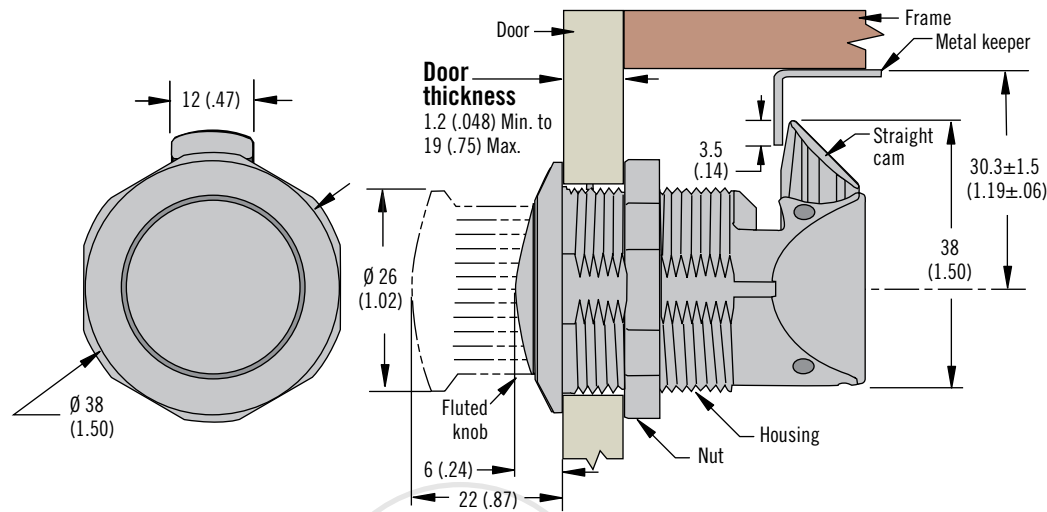
Flammability rating: UL94-HB

Installation Notes

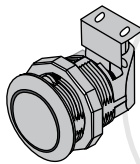
Max. tightening torque on mounting nut:
4.2 N·m (37 in-lbf)

Accessories

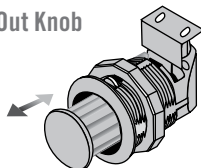
Replacement Keeper
Part number: M1-519-4



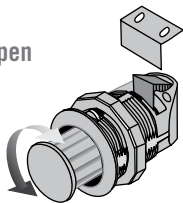
Closed



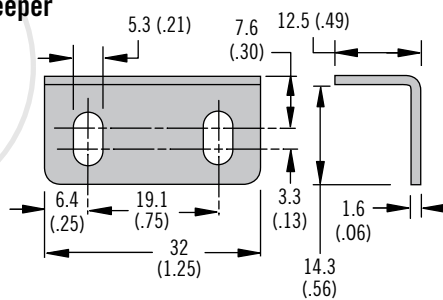
Push To Pop Out Knob



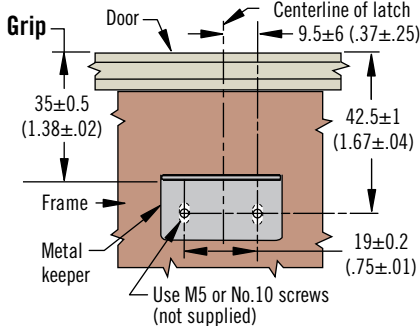
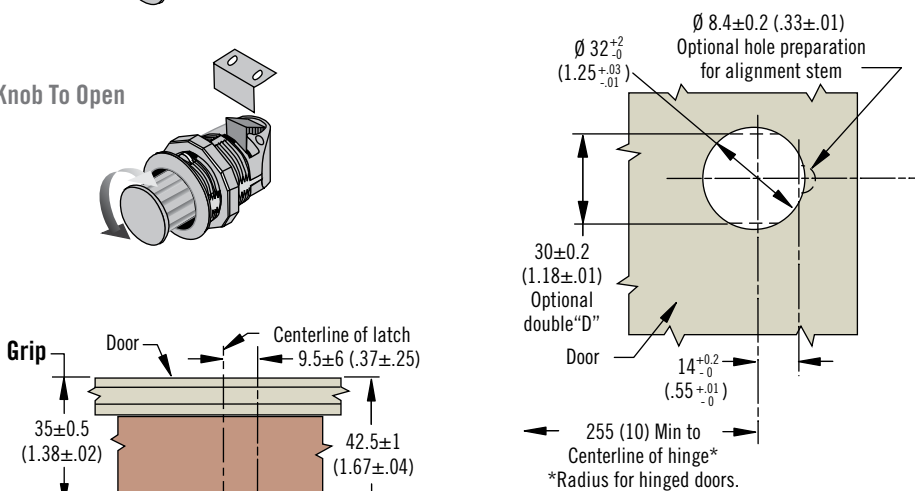
Turn Knob To Open



Keeper



Installation

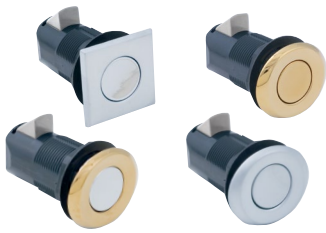


Finish	Part Number
Chrome	M1-2A-13-1
Black	M1-2A-13-5
Gold	M1-2A-13-8

Part Number

See table





MP Point Push-to-Close Latch

Pull-to-open

- Single, round-hole installation
- Flush pop out knob
- Corrosion-resistant materials
- Optional cover available for a stylish look of the latch body
- Keeper sold separately

Material and Finish

Housing: Glass-filled nylon
 Flange and knob: Zinc alloy, plated
 Cam: Zinc alloy

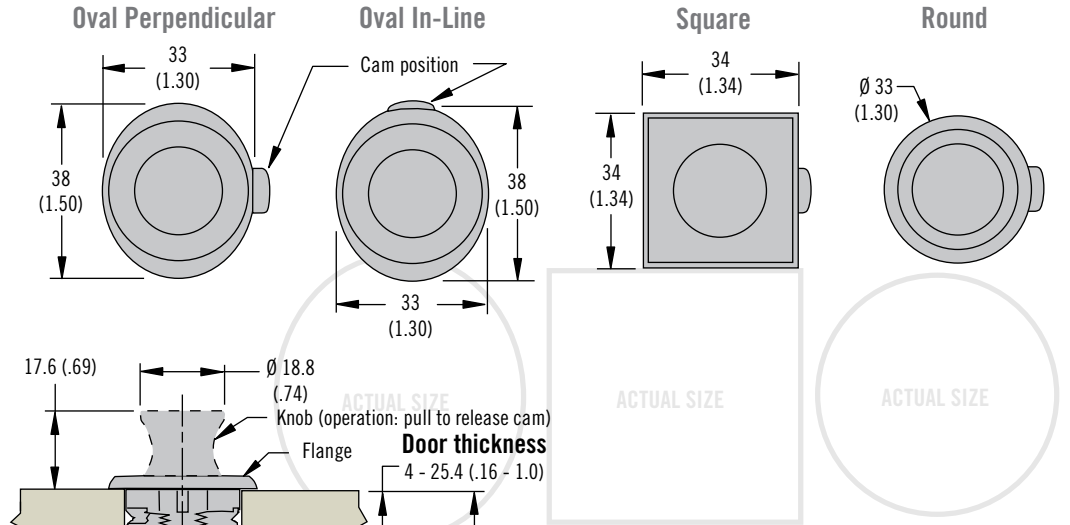
Installation Notes

Max. tightening torque on mounting nut: 4.5 N·m (40 in·lbf)

Accessories

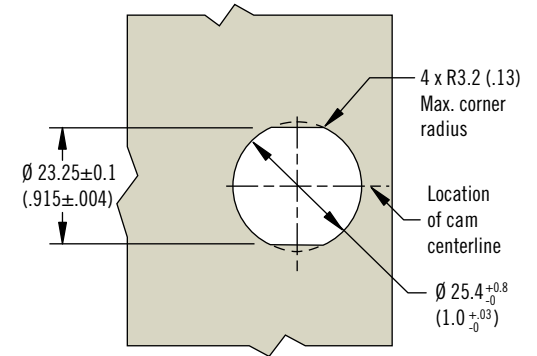
Matching pulls available see page 486

H Housing Style

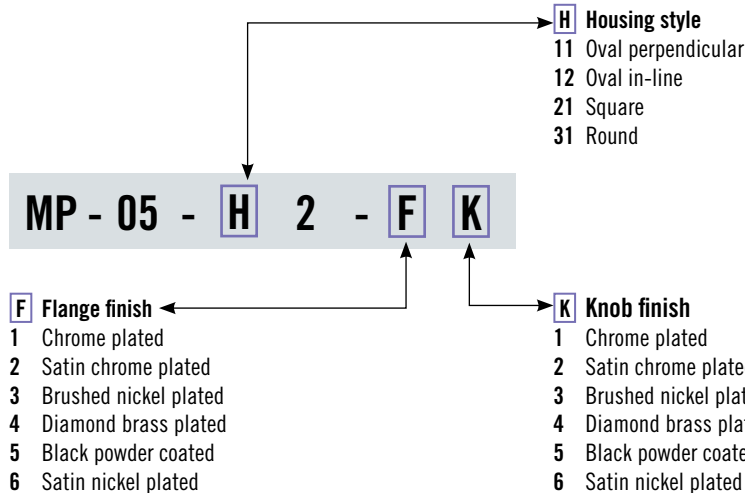


Installation

Latch Only (for keeper installation see page 157)

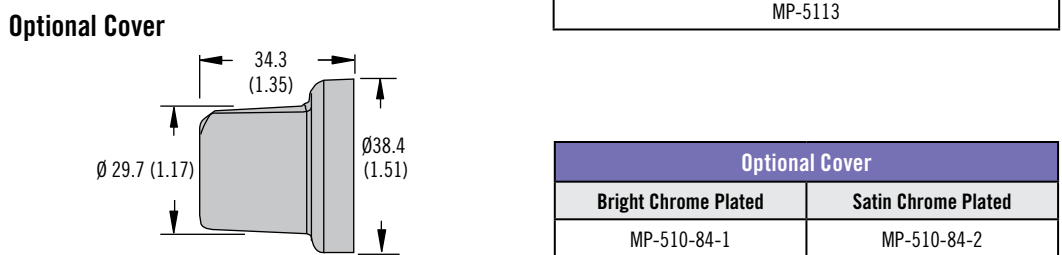
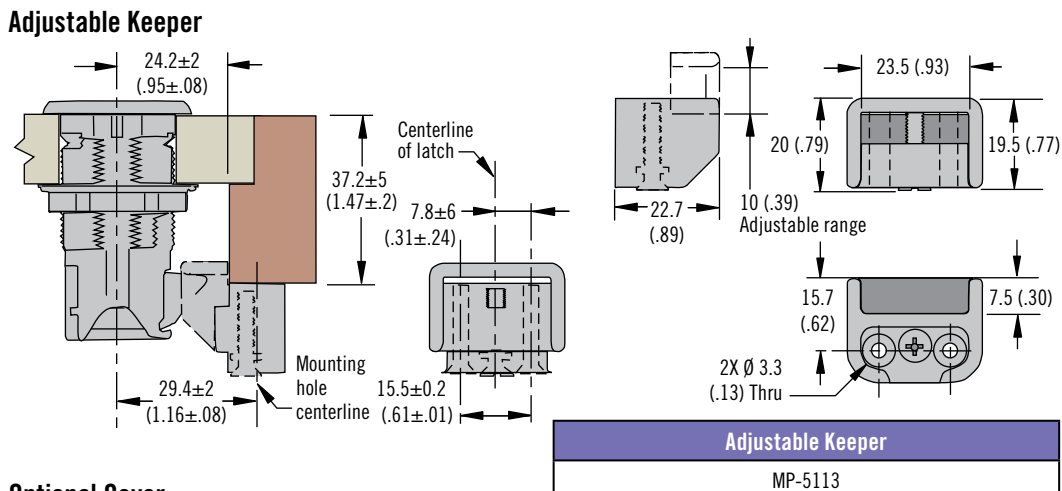
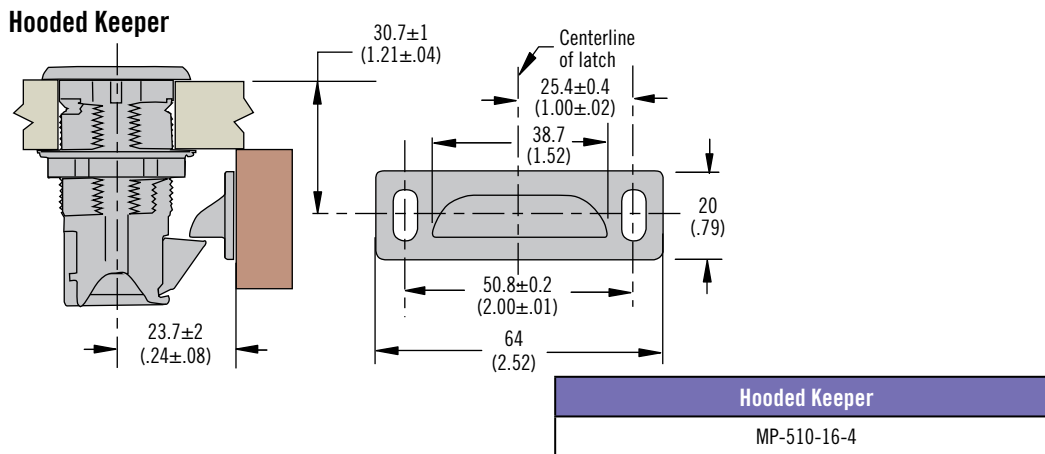
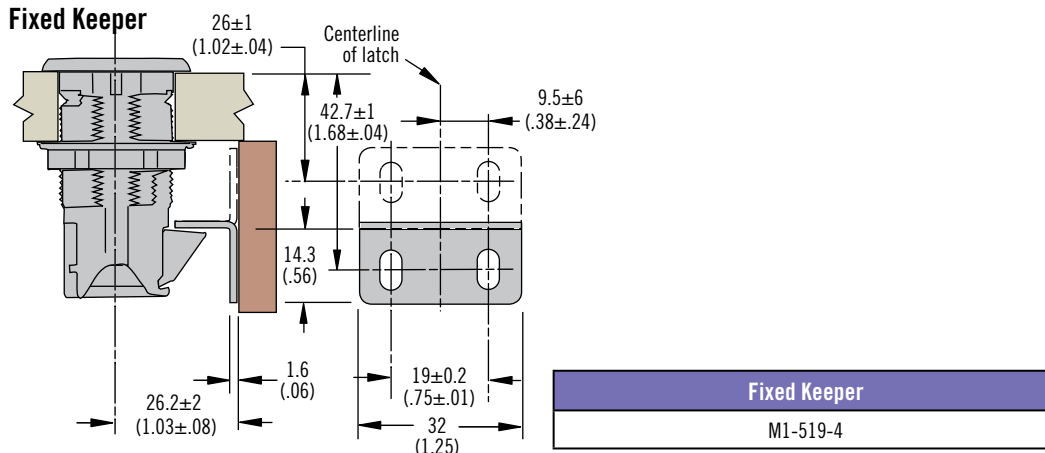


Part Number Selection



MP Point Push-to-Close Latch

Keepers & Cover



• Keeper sold separately

Material and Finish

- Fixed keeper: Stainless steel
- Hooded keeper: Nylon, black
- Adjustable keeper: Acetal, black with brass adjusting screw
- Cover: Polycarbonate ABS, bright or satin chrome plated

Installation Notes

- Fixed keeper: Use M5 or No. 10 screws to mount (not supplied)
- Hooded keeper: Use M5 or No. 10 screws to mount (not supplied)
- Adjustable keeper: Use M3 x 25 (No. 5 x 1.00) screws to mount (not supplied)
- Optional cover: Suitable for door thickness from 16 - 20 (.630 - .787)



A3 Push-to-Close Latch

Slide-to-open · Flush · Locking

- Single hole snap-in installation
- Corrosion-resistant materials

Material and Finish

Latch: ABS, black
Spring: Stainless steel

Performance Details

Operating temperature range:
-40°C (-40°F) to 60°C (140°F)

Flammability rating: UL94-V0

Installation Notes

Prepare a burr free hole
Door thickness must include plating or paint thickness

Accessories

Flat key, keyed alike CH751
(2 keys per ring)
Part number: PK-10-01

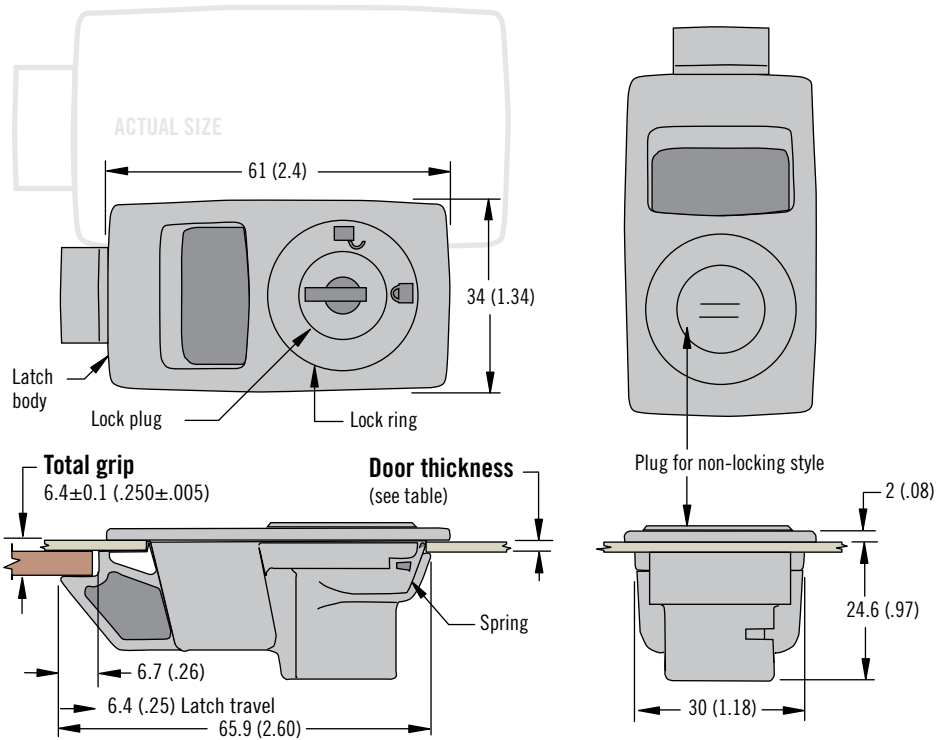


Overmolded key, keyed alike CH751
(2 keys per ring)
Part number: PK-10-01-05

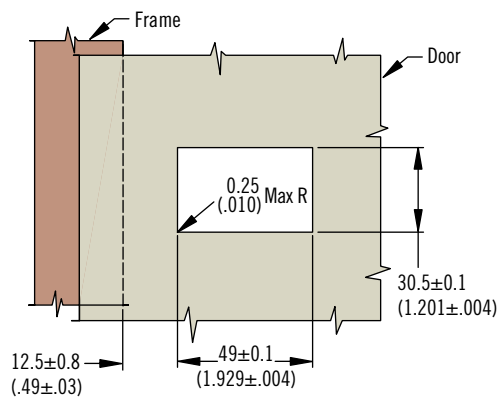


Part Number

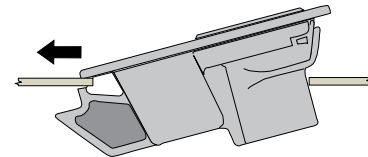
See table



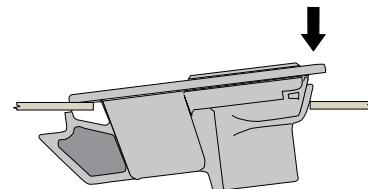
Installation



1. Slip front of latch through hole, push forward



2. Snap back end of latch into position



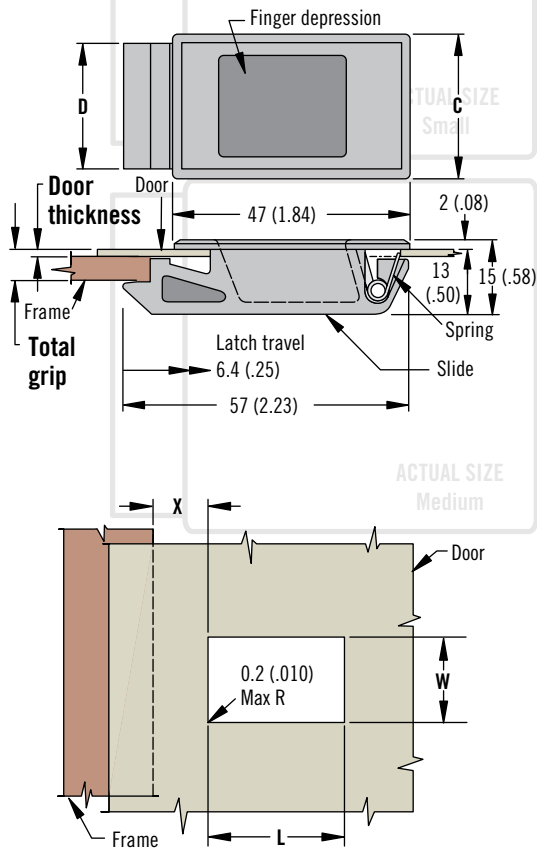
Door Thickness	Part Number		
	Non-Locking	Key-Locking Keyed Alike CH751 (No Keys Supplied)	Key-Locking Keyed Alike CH751 (2 Flat Keys Supplied)
0.9 (.035) to 1.2 (.047)	A3-80-525-12	A3-85-525-12	A3-87-525-12
1.3 (.051) to 1.6 (.062)	A3-80-625-12	A3-85-625-12	A3-87-625-12

A3 Push-to-Close Latch

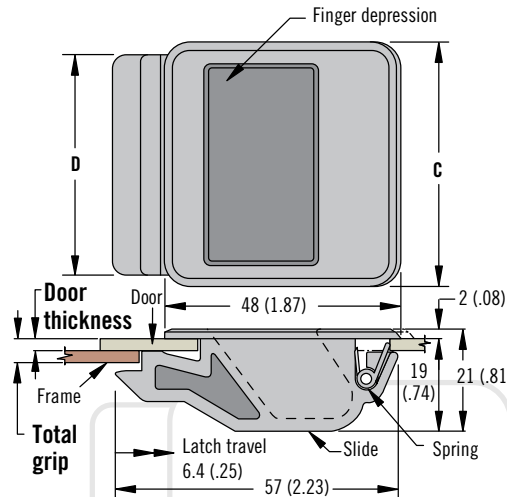
Slide-to-open · Flush



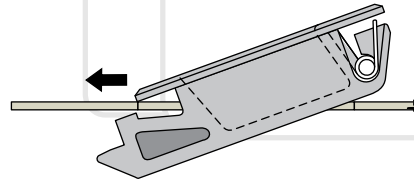
Small and Medium



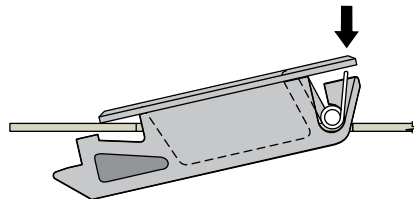
Large (deeper depression)



1. Slip front of latch through hole, push forward



2. Snap back end of latch into position



Series	Installation		
	L	W	X
Small	38.1±0.1 (1.50±.005)	25.4±0.1 (1.0±.005)	12.7±0.7 (.5±.03)
Medium		44.5±0.1 (1.75±.005)	
Large			

Size	Door Thickness	Total Grip	Dimensions		Part Number	
			C	D	UL94-HB	UL94-V0
Small	1.2±0.1 (.050±.005)	6.4±0.1 (.250±.005)	28 (1.11)	25 (.99)	A3-40-525-12	A3-99-187-12
	1.6 ⁺⁰ _{-.02} (.060±.005)	6.4±0.1 (.250±.005)	28 (1.11)	25 (.99)	A3-40-625-12	A3-99-130-12
Medium	2.2 ^{+0.2} ₋₀ (.090±.005)	6.4±0.1 (.250±.005)	47 (1.86)	44 (1.74)	A3-50-925-12	A3-99-144-12
Large	2.2 ^{+0.2} ₋₀ (.090±.005)	6.4±0.1 (.250±.005)	50 (1.95)	44 (1.74)	A3-99-122-12	A3-99-253-01

- Single hole snap-in installation
- Corrosion-resistant materials

Material and Finish

Latch: ABS, black
Spring: Stainless steel

Performance Details

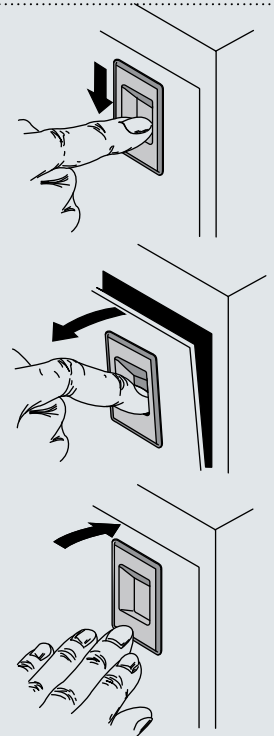
Max. working load:
40 series 180 N (40 lbf)
50 and 99 series
220 N (50 lbf)

Operating temperature range:
-40°C (-40°F) to 60°C (140°F)

Flammability rating:
UL94-HB or UL94-V0

Installation Notes

Prepare a burr free hole
Door thickness must include plating or paint thickness



Part Number

See table





A3 Push-to-Close Latch

Slide-to-open · Ergo tab style

- Single hole snap-in installation
- Corrosion-resistant materials

Material and Finish

Latch: ABS, black

Spring: Stainless steel

Performance Details

Max. working load:

Medium: 90 N (20 lbf)

Large: 130 N (29 lbf)

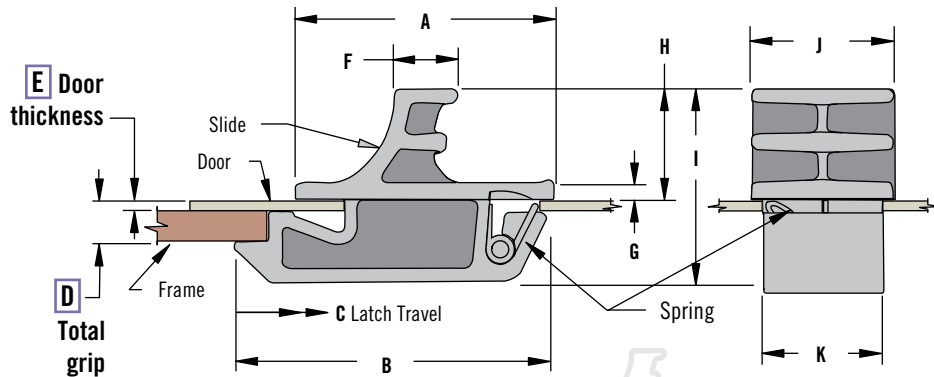
Operating temperature range:
-40°C (-40°F) to 60°C (140°F)

Flammability rating: UL94-V0

Installation Notes

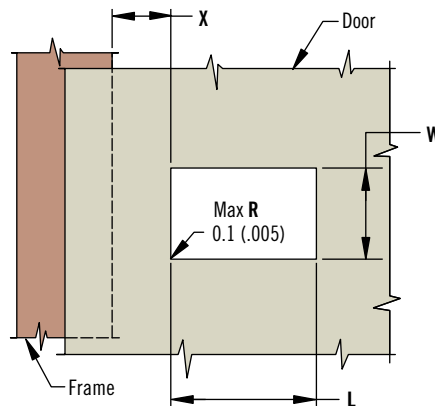
Prepare a burr free hole

Door thickness must include plating or paint thickness

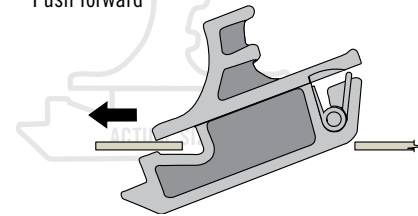


Installation

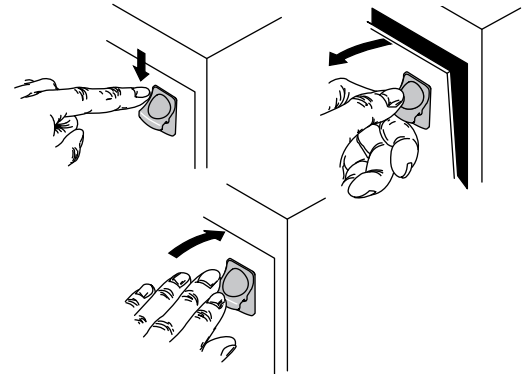
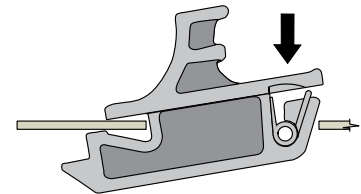
1. Prepare burr-free hole



2. Slip front of latch through hole
Push forward



3. Snap back end of latch into position



Part Number

See table

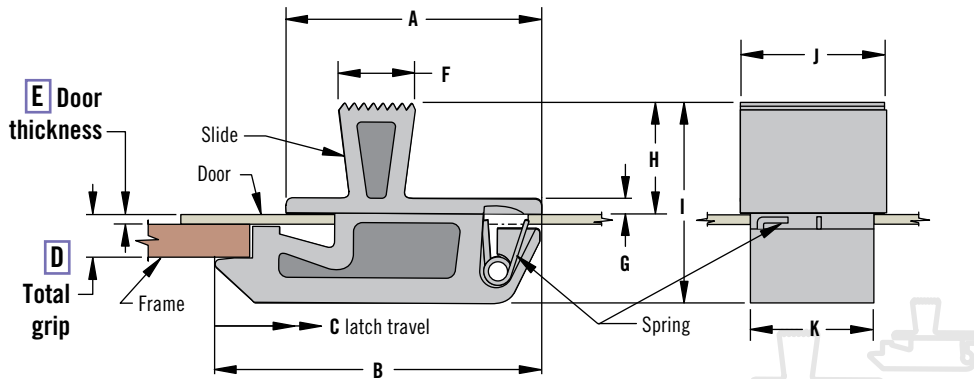
Size	Installation		
	L	W	X
Medium	12.7±0.1 (.500±.005)	7.8±0.05 (.307±.002)	6.4±0.8 (.25±.03)
Large	22.2±0.1 (.875±.005)	14.3±0.1 (.562±.005)	9.5±0.8 (.38±.03)

E Door Thickness	D Total Grip	Dimensions									Part Number	Size
		A	B	C	F	G	H	I	J	K		
1 ± 0.1 (.04±.005)	3 ± 0.1 (.12±.005)	19 (.75)	22.2 (.87)	4 (.16)	5.1 (.20)	1.5 (.06)	8.3 (.33)	15.5 (.61)	9.5 (.37)	7.6 (.30)	A3-70-412-25	Medium
1.2+0.2-0 (.05±.005)	4.8 ± 0.1 (.19±.005)	30.1 (1.19)	36.2 (1.43)	4.3 (.17)	7.2 (.28)	2.2 (.09)	12.8 (.50)	22.4 (.88)	16.5 (.65)	14 (.55)	A3-60-519-25	Large



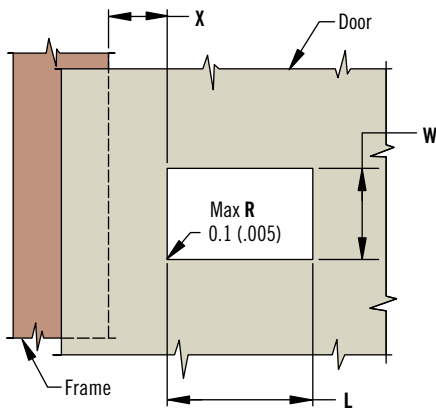
A3 Push-to-Close Latch

Slide-to-open · Tab style

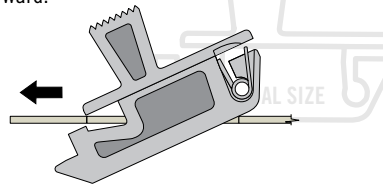


Installation

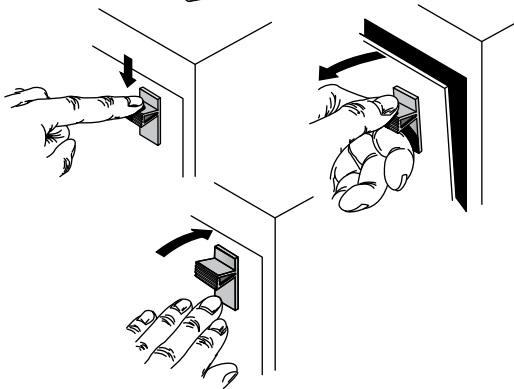
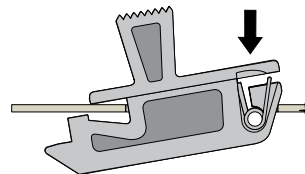
1. Prepare burr-free hole



2. Slip front of latch through hole
Push forward.



3. Snap back end of latch into position



Size	Installation		
	L	W	X
Small	8.33±0.05 (.328±.002)	4.57±0.05 (.180±.002)	4.8 ±0.8 (.19±.03)
Medium	12.7±0.1 (.500±.005)	7.8±0.05 (.307±.002)	6.4±0.8 (.25±.03)
Large	22.2±0.1 (.875±.005)	14.3±0.1 (.562±.005)	9.5±0.8 (.38±.03)

- Single hole snap-in installation
- Corrosion-resistant materials

Material and Finish

Latch: ABS, black

Spring: Stainless steel

Performance Details

Max. working load:

Small 25 N (5 lbf)

Medium 90 N (20 lbf)

Large 130 N (30 lbf)

Operating temperature range:
-40°C (-40°F) to 60°C (140°F)

Flammability rating: UL94-HB

Installation Notes

Prepare a burr free hole

Door thickness must include plating or paint thickness

Part Number

See table

E Door Thickness	D Total Grip	Dimensions									Part Number	Size
		A	B	C	F	G	H	I	J	K		
.76±.08 (.030±.003)	2.54±0.13 (.100±.005)	11.9 (.47)	15.1 (.59)	3 (.12)	4.0 (.16)	0.8 (.03)	5.6 (.22)	11.1 (.44)	6.0 (.23)	4.4 (.17)	A3-10-310-12	Small
1±0.1 (.04±.005)	3±0.1 (.12±.005)	18 (.70)	22.5 (.87)	4 (.16)	5.5 (.22)	1.5 (.06)	8.5 (.33)	15.5 (.61)	9.5 (.37)	7.5 (.30)	A3-20-412-12	Medium
1.2+0.2-0 (.05±.005)	4.8±0.1 (.19±.005)	29 (1.13)	36 (1.41)	4.3 (.17)	9 (.34)	2 (.08)	13 (.50)	22.5 (.87)	16.5 (.64)	14 (.55)	A3-30-519-12	Large





93 Push-to-Close Latch

Push button to open

- Push button opening
- Single hole installation
- Optional ejector spring helps prevent rattles

Material and Finish

Latch: ABS, black
Spring: Stainless steel

Performance Details

Max. working load:
530 N (120 lbf)

Flammability rating: UL94-HB

Installation Notes

Max. tightening torque on mounting nut: 7.9 N·m (70 in·lbf)

Accessories

Flat key, keyed alike CH751
(2 keys per ring)
Part number: PK-10-01



Overmolded key, keyed alike CH751
(2 keys per ring)
Part number: PK-10-01-05



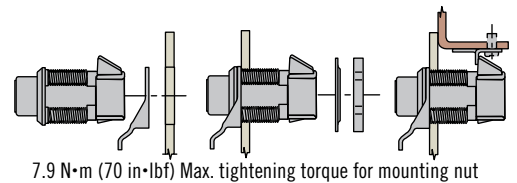
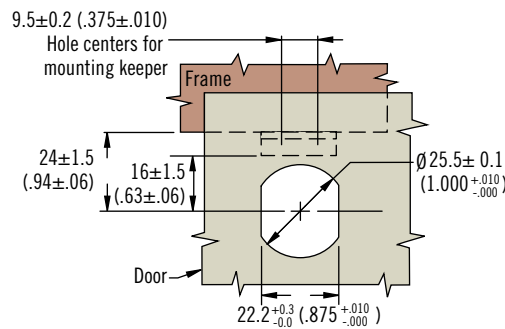
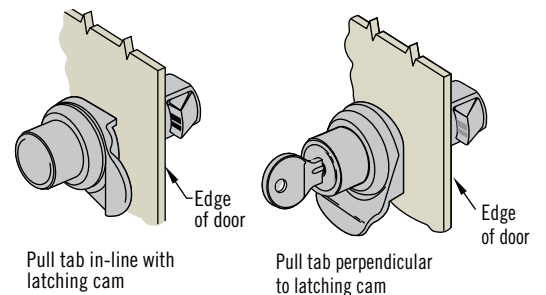
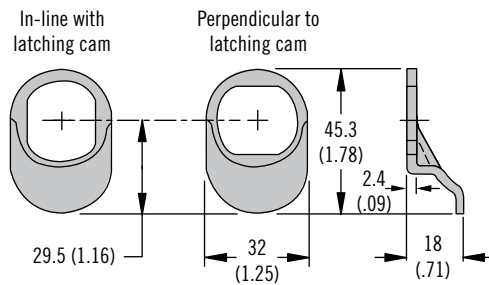
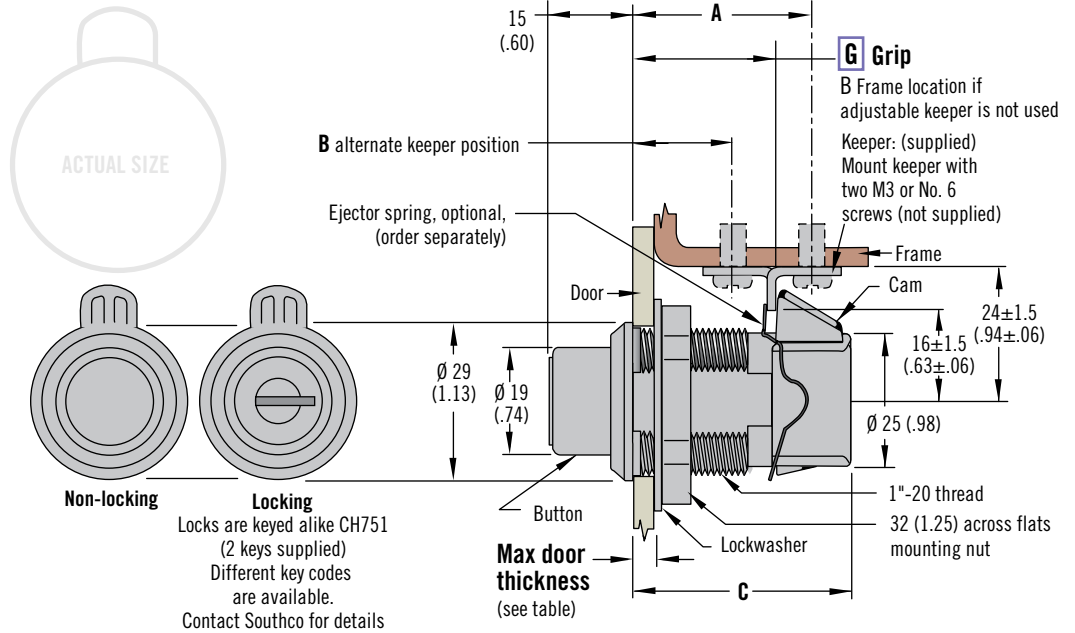
Pull tab (optional) part number:
In-line 93-21-301-14
Perpendicular 93-21-322-14

Keeper (replacement) part number:
93-14-101-24

Ejector spring (optional)
part number: 93-22-302-18

Part Number

See table



Style	Max. Door Thickness	G Grip	Dimensions			Latch Part Number	
			A	B	C Ref	Key-Locking (2 Flat Keys Supplied)	Non-Locking
Pull tab in-line with latching Cam	10.3 (.407)	23 ^{+0.1} _{-0.07} (.907 ^{+0.032} _{-0.032})	29.5±1.5 (1.16±.06)	14.5±1.5 (.57±.06)	37 (1.47)	93-303	93-304
Pull tab perpendicular to latching Cam	10.3 (.407)	23 ^{+0.1} _{-0.07} (.907 ^{+0.032} _{-0.032})	29.5±1.5 (1.16±.06)	14.5±1.5 (.57±.06)	37 (1.47)	93-313	93-314
Latch only	12.7 (.500)	25±0.4 (1.000 ^{+0.032} _{-0.032})	32±1.5 (1.25±.06)	17±1.5 (.66±.06)	40 (1.57)	93-307	93-308

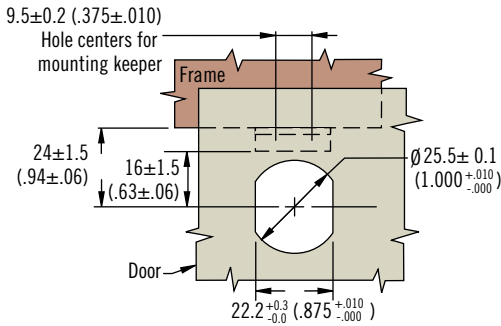
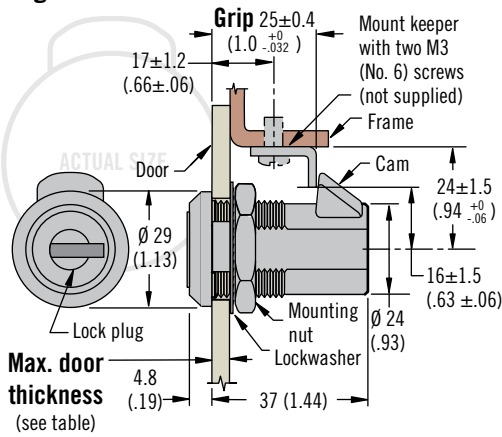


93 Push-to-Close Latch

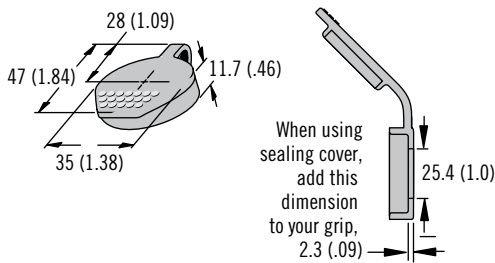
Key actuated



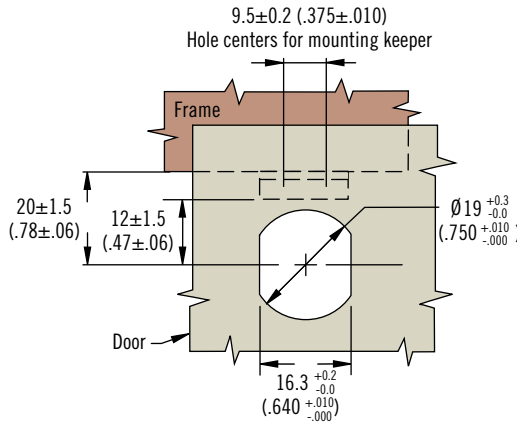
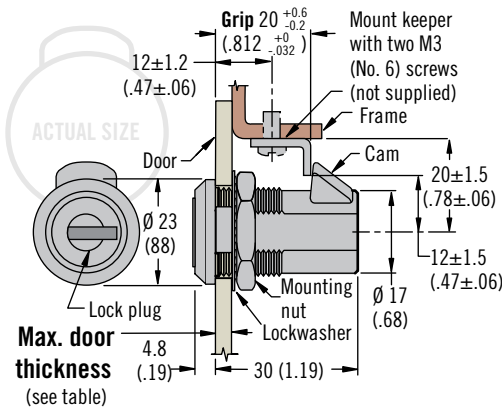
Large



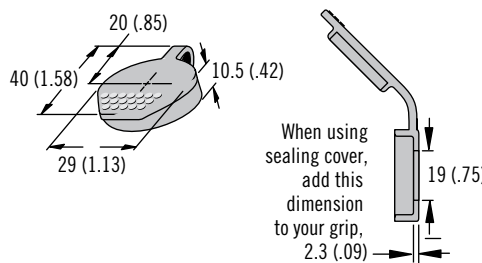
Sealing Cover (optional)



Small



Sealing Cover (optional)



- Key only operation for access restriction
- Single hole installation

Material and Finish

Latch: Zinc alloy, zinc plated or black powder coated

Performance Details

Max. working load:

Large: 560 N (125 lbf)

Small: 330 N (75 lbf)

Operating temperature range:

-18°C (0°F) to 65°C (150°F)

Flammability rating: UL94-HB

Installation Notes

Max. tightening torque on mounting nut: 7.9 N·m (70 in-lbf)

Accessories

Flat key, keyed alike CH751 (2 keys per ring)

Part number: PK-10-01



Overmolded key, keyed alike CH751

(2 keys per ring)

Part number: PK-10-01-05



Pull tab (optional - large size only):

Part number:

In-line: 93-21-301-14

Perpendicular: 93-21-322-14

Keeper (replacement)

Part number: 93-14-101-11

Part Number

See table

Size	Max. Door Thickness	Latch Part Number		Lock Core Finish	Sealing Cover (Optional) Part Number
		Locking Keyed Alike Ch751 (2 Flat Keys Supplied)			
Large	12.7 (.500)	93-10-101-10	Bright	90-4	
Small	9.5 (.375)	93-10-201-50	Black	90-2	
		93-10-201-10	Bright		





93 Push-to-Close Latch

Turn-to-open · Knob style

- Turn-to-open
- Single hole installation

Material and Finish

Latch: Zinc alloy, zinc plated
Knob: Polycarbonate black

Performance Details

Max. working load:
Large: 560 N (125 lbf)
Small: 330 N (75 lbf)

Operating temperature range:
-18°C (0°F) to 65°C (150°F)

Flammability rating: UL94-HB

Installation Notes

Max. tightening torque on mounting nut: 7.9 N·m (70 in·lbf)

Accessories

Flat key, keyed alike CH751
(2 keys per ring)
Part number: PK-10-01



Overmolded key, keyed alike CH751
(2 keys per ring)
Part number: PK-10-01-05

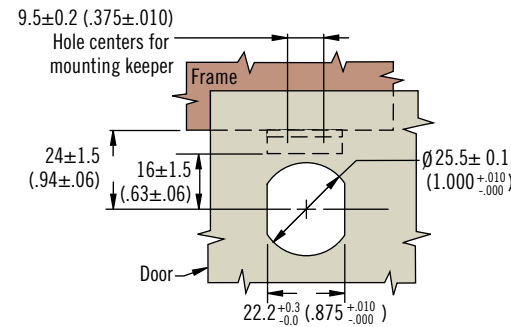
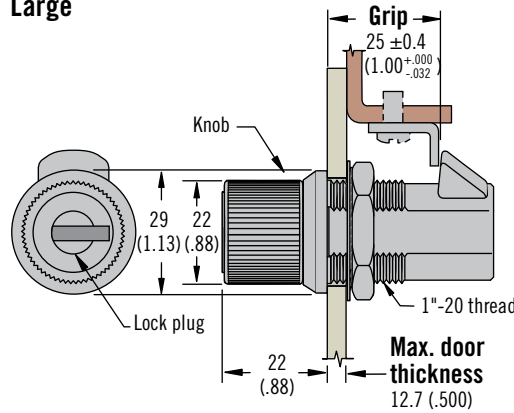


Keeper (replacement)
Part number: 93-14-101-11

Part Number

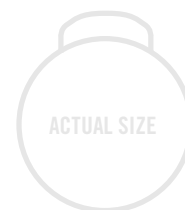
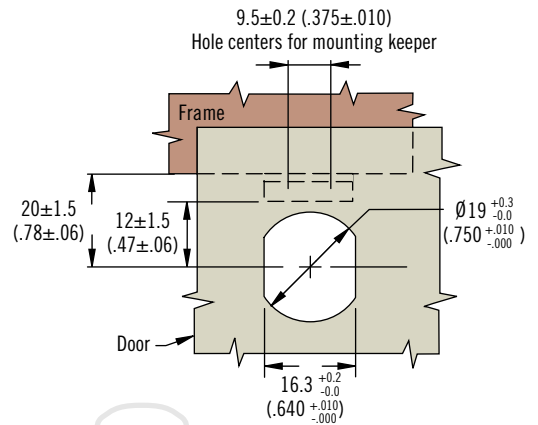
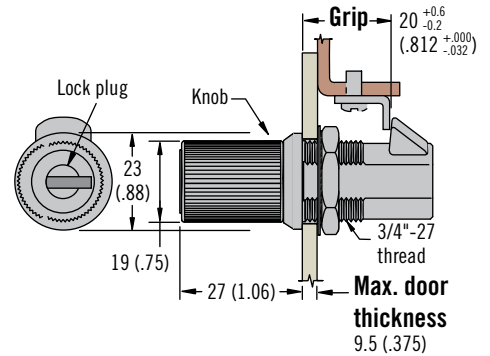
See table

Large



ACTUAL SIZE

Small



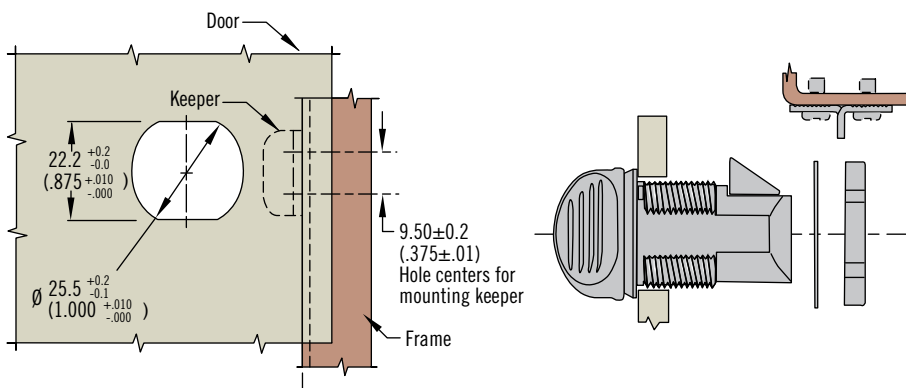
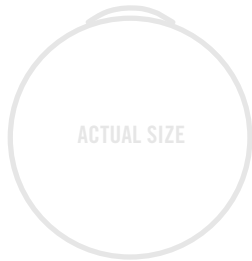
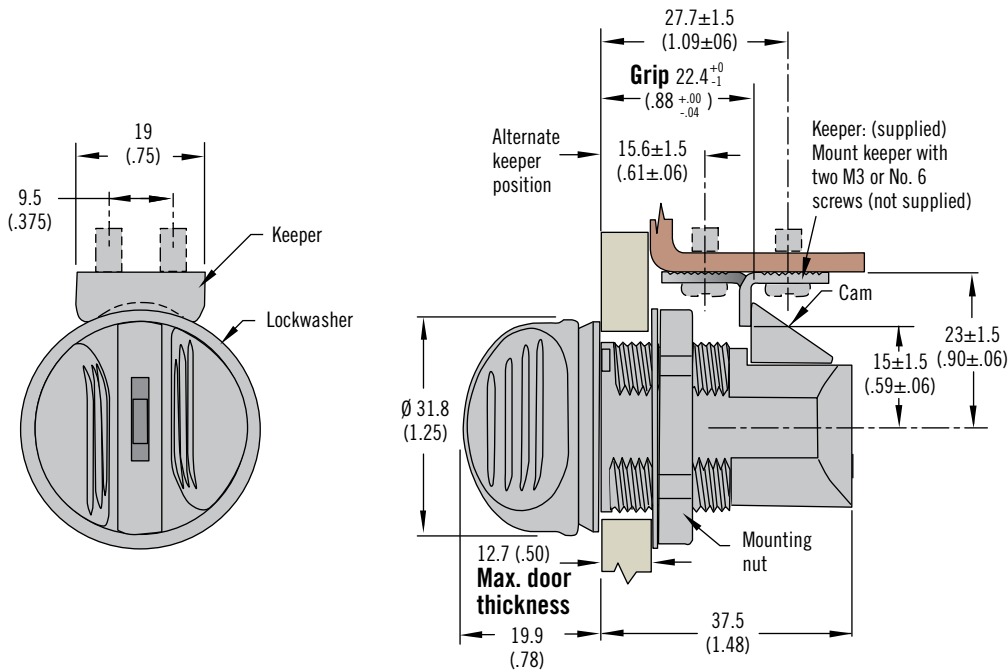
ACTUAL SIZE

Size	Latch Part Number		Lock Core Finish
	Locking (2 Flat Keys Supplied)	Non-locking	
Large	93-10-102-50	93-10-103-50	Black
	93-10-102-10	93-10-103-10	Bright
Small	93-10-202-50	93-10-203-50	Black
	93-10-202-10	93-10-203-10	Bright



93 Push-to-Close Latch

Turn-to-open · Wing style



Latch Part Number (2 Flat Keys Supplied)
93-402

- Turn-to-open
- Single hole installation

Material and Finish

Glass reinforced nylon and acetal, black

Performance Details

Max. working load:
425 N (100 lbf)

Operating temperature range:
-20°C (0°F) to 65°C (150°F)

Flammability rating: UL94-HB

Installation Notes

Max. tightening torque on mounting nut: 6 N·m (53 in·lbf)

Accessories

Flat key, keyed alike CH751
(2 keys per ring)
Part number: PK-10-01



Overmolded key, keyed alike CH751
(2 keys per ring)
Part number: PK-10-01-05



Keeper (replacement):
Part number: 93-14-101-24

Part Number

See table





R3 Push-to-Close Latch

Pull-to-open · Paddle handle · Baggage door latch

- Environmentally sealed
- Emergency release
- For use with R4 rotary latches

Material and Finish

Latch assembly: Zinc alloy, black or white powder coated or chrome plated

Slide bolt: Zinc alloy, zinc plated

Striker mounting plates and brackets: Steel, zinc plated

Performance Details

Max. working load: 560 N (125 lbf)

Installation Notes

Max. tightening torque on mounting screws: 2 N·m (14 in·lbf)

Notes

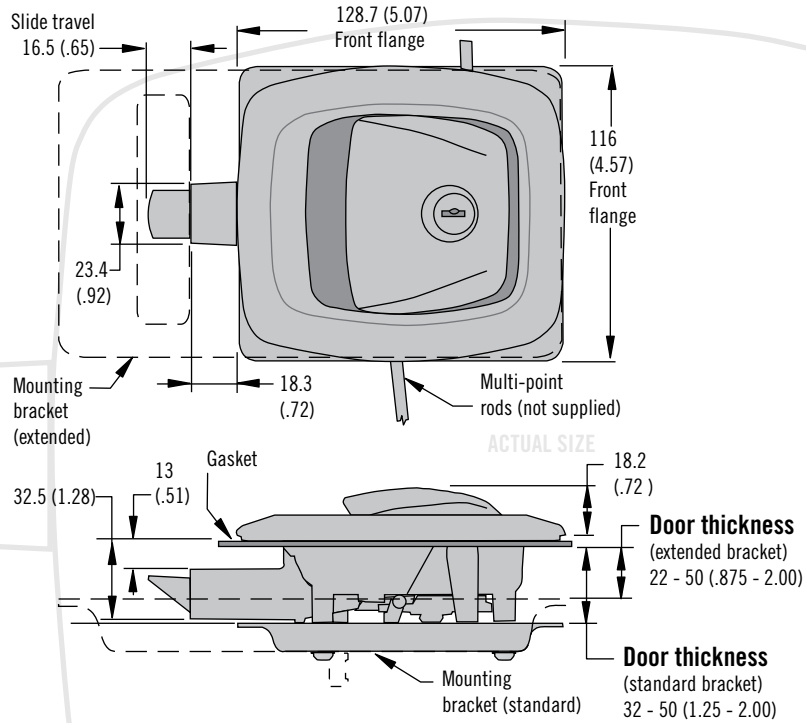
*For lock core selection and a complete overview of the *SOUTHCO*® Key-Choice System see pages 182 -183

Part Number

Order latch, bracket and mounting screws separately.

For latch see table

For bracket and mounting screws see page 167

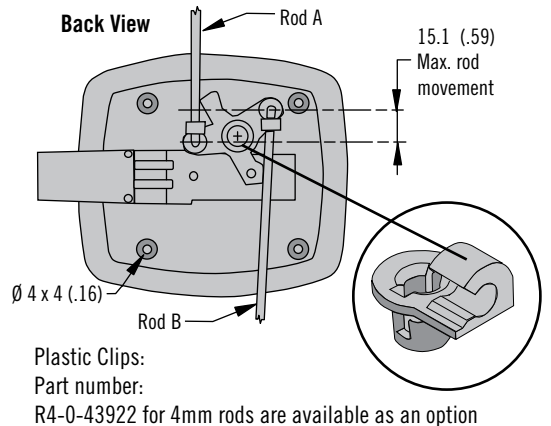
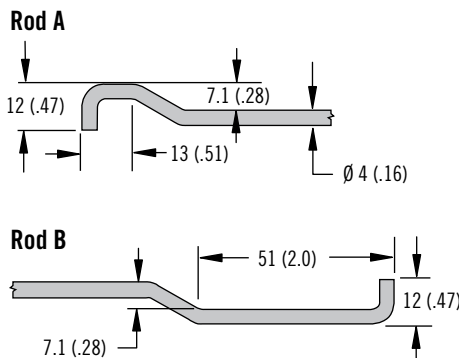


Multi-Point Capable

For applicable rotary latches see page 121

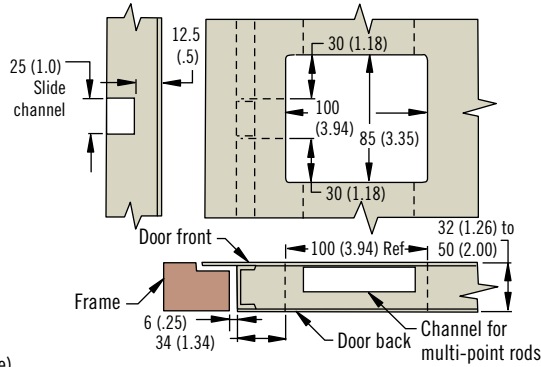
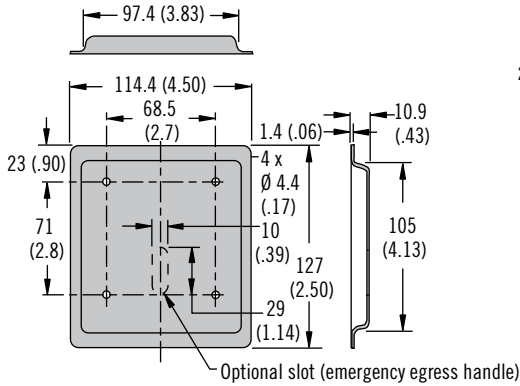
Actuating rods are not supplied
Recommended rod configuration shown below

Latch shown in actuated (unlatched) position (slide retracted)

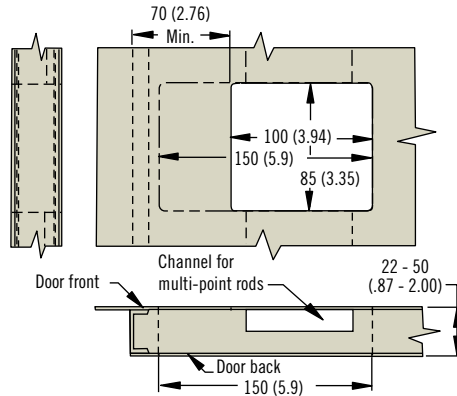
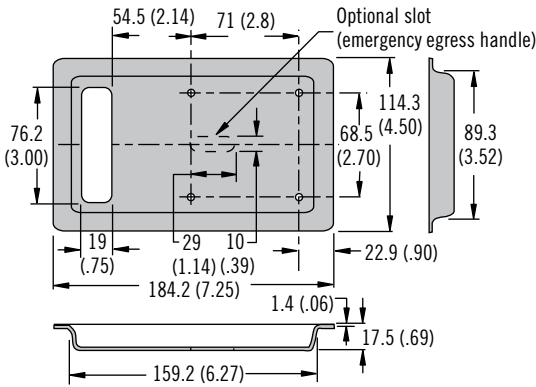


Latch Finish	Part Number			
	Locking (CH751) (2 Keys Included)	Locking (Reversible Key) R001 (2 Keys Included)	Locking (No Core)*	Non-Locking
Chrome, polished	R3-20-350-10	R3-20-320-10	R3-20-390-10	R3-20-300-10
Black powder coated	R3-20-350-50	R3-20-320-50	R3-20-390-50	R3-20-300-50
White powder coated	R3-20-350-70	R3-20-320-70	R3-20-390-70	R3-20-300-70

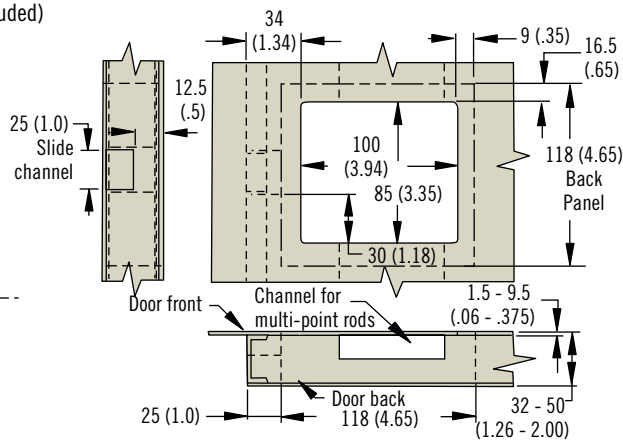
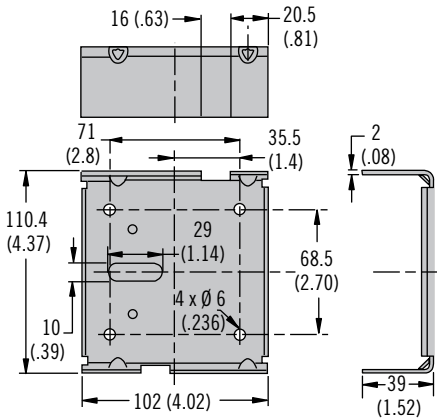
Standard Bracket



Extended Bracket



U-Bracket (slot for emergency egress handle included)



Accessories

Flat key, keyed alike CH751

(2 keys per ring)

Part number: PK-10-01



Overmolded key, keyed alike CH751

(2 keys per ring)



Part number: PK-10-01-05

Overmolded key, keyed alike R001

(2 keys per ring)

Part number: PK-10-01-KR001

Emergency egress handle (optional):

Part number: R3-21-110



Notes

U-bracket is intended for sheet metal door applications

Part Number

Order latch, bracket and mounting screws separately.

For latch see page 166

For bracket and mounting screws see table

Bracket Part Number		No. 8 Self Tapping Screw (Part Number By Length)				
		R3-23-250-01	R3-23-250-02	R3-23-250-03	R3-23-250-04	R3-23-250-05
		16 (.625) Long	19 (.750) Long	25.4 (1.00) Long	32 (1.250) Long	38 (1.500) Long
Standard Bracket	R3-23-160-11-01	32 (1.250)	32 (1.250) - 38 (1.500)	38 (1.500) - 44 (1.750)	44 (1.750) - 50 (2.00)	—
Extended Bracket	R3-23-162-11-01	22 (.875) - 25 (1.00)	25 (1.000) - 32 (1.250)	32 (1.250) - 38 (1.500)	38 (1.500) - 44 (1.750)	44 (1.750) - 50 (2.00)
U-Bracket	R3-23-161-11	1.5 (.0620) - 4.8 (.187)	4.8 (.187) - 9.5 (.375)	—	—	—
Door thickness						



R3 Push-to-Close Latch

Pull-to-open · Paddle handle · Entry door latch

- Environmentally sealed
- Dual sided access and locking

Material and Finish

Latch assembly: Zinc alloy, black powder coated or white or chrome plated

Slide bolt: Zinc alloy, zinc plated

Striker mounting plates and brackets: Steel plated, zinc plated

Performance Details

Max. working load: 560 N (125 lbf)

Operating temperature range: -18°C (0°F) to 60°C (140°F)

Installation Notes

Max. tightening torque on mounting screws: 2 N·m (14 in·lbf)

Accessories

Overmolded key, keyed alike R302 (2 keys per ring)

Part number: PK-10-01-07-KR302



Replacement screws

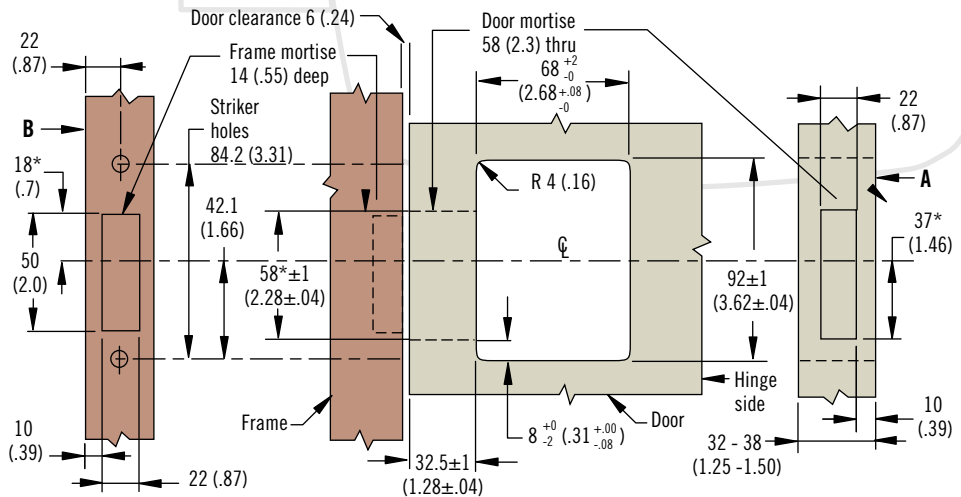
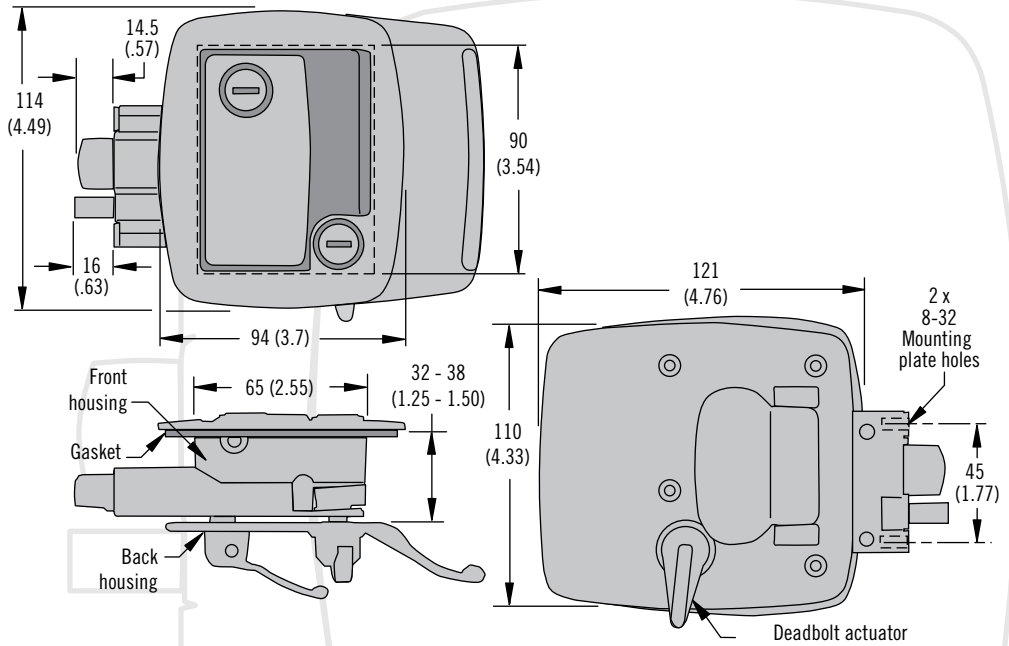
Part number: R3-13-310

Notes

Mounting plate, striker plate and all mounting screws except striker plate screws are provided with each lock set.

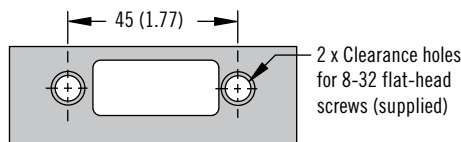
Part Number

See table



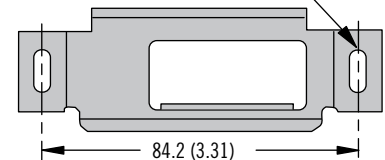
*For left hand mounting mirror the dimensions marked with * by moving them to the other side of the centerline.

Mounting Plate



Striker Plate

2 x Clearance holes for screws (not supplied)

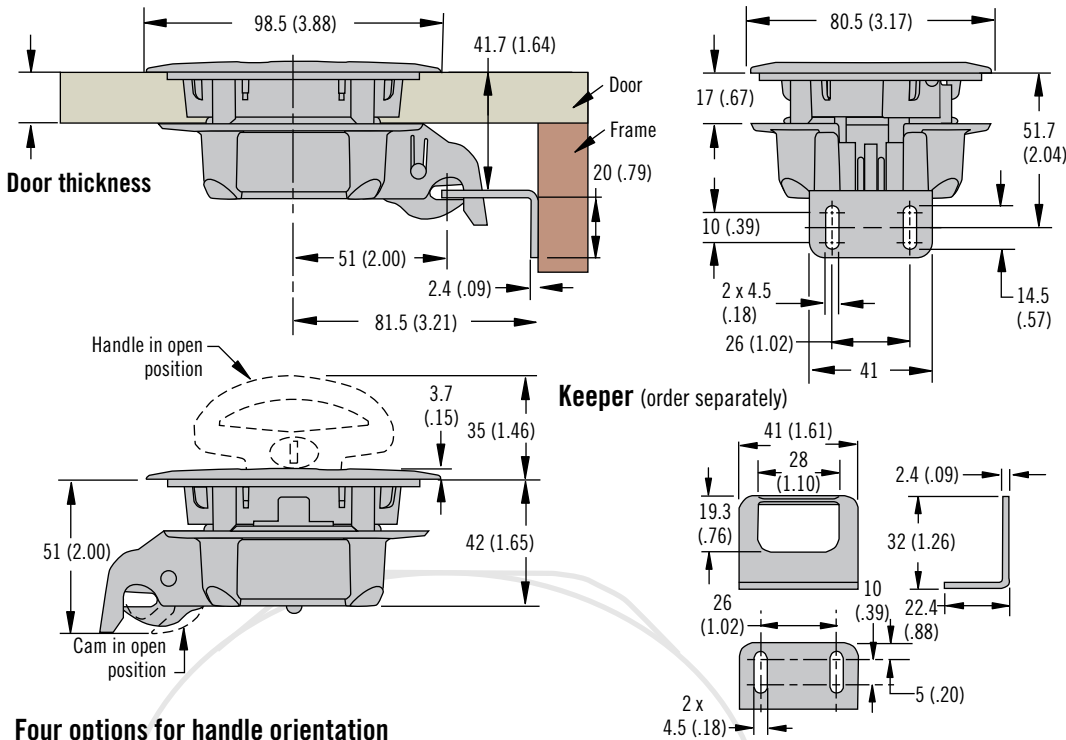


Finish	Latch Part Number
Chrome, polished	R3-10-311-10
Black powder coated	R3-10-311-50
White Powder coated	R3-10-311-70

Part Number	
Mounting plate	R3-13-190
Striker plate	R3-13-180

R4 Push-to-Close Latch

Lift-to-open · Flush



- Lift-to-open
- Single hole installation
- Rotary latching

Material and Finish

Glass reinforced nylon and acetal, black

Performance Details

Max. working load: 290 N (65 lbf)

Operating temperature range:
 -20°C (0°F) to 65°C (150°F)

Flammability rating: UL94-HB

Installation Notes

Max. tightening torque on mounting screws 1.4 N·m (12.4 in·lbf)

Accessories

Flat key, keyed alike R001
 (2 keys per ring)

Part number: PK-10-01-KR001



Keeper: Part number R4-64-11

Mounting screws (replacement):
 Recessed T15 TORX® / Slot
 M4.2 x 1.4:

Part number: M1-0-33211-24 or
 R4-0-51779-24

Part Number Selection

Order latch, keeper and spacers separately

See table for spacer width and number required by door thickness

L Lock-style
 0 Non-locking
 1 Key-locking keyed alike R001 (2 keys supplied)

D Door Thickness
 0 1 to 23.9 (.04 to .94)
 1 24 to 27 (.94 to 1.1)

F Finish upper housing
 5 Black
 7 White

F Finish lower housing
 5 Black
 7 White

R4 - 60 - 2 L D - F F

Part Number	Spacer Thickness	Door Thickness					
		1 - 4.9 (.04 - .19)	5 - 9.9 (.19 - .39)	10 - 14.9 (.39 - .59)	15 - 19.9 (.59 - .78)	20 - 23.9 (.78 - .94)	24 - 27.9 (.94 - 1.1)
Part Number R4-64-13-1 Spacers Required	4 (.16)	0	1	0	1	0	0
Part Number R4-64-13-2 Spacers Required	8 (.31)	2	1	1	0	0	0





M1 Push-to-Close Latch

Lift-to-open · Flush

- Lift-to-open
- Single hole installation
- Dual sided latching

Material and Finish

Latching slides and mounting bracket:
Glass reinforced nylon, black

Housing and paddle:
Polycarbonate/ABS, black

Performance Details

Max. working load: 500 N (112 lbf)

Flammability rating: UL94-HB

Installation Notes

Max. tightening torque on torx mounting screws:
1.8 N·m (16 in·lbf)

Accessories

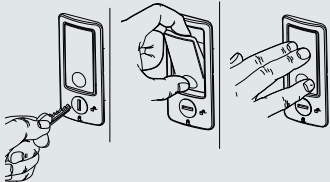
Flat key, keyed alike CH751
(2 keys per ring)
Part number: PK-10-01



Overmolded key, keyed alike CH751
(2 keys per ring)
Part number: PK-10-01-05

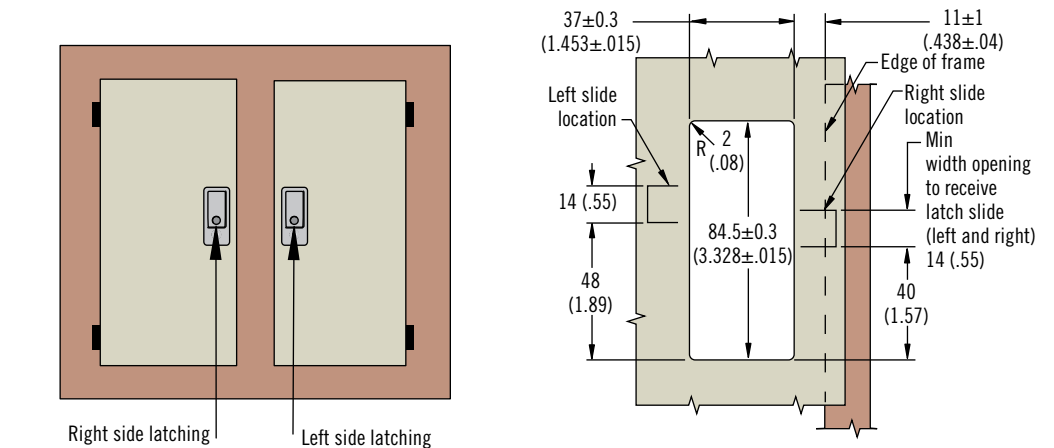
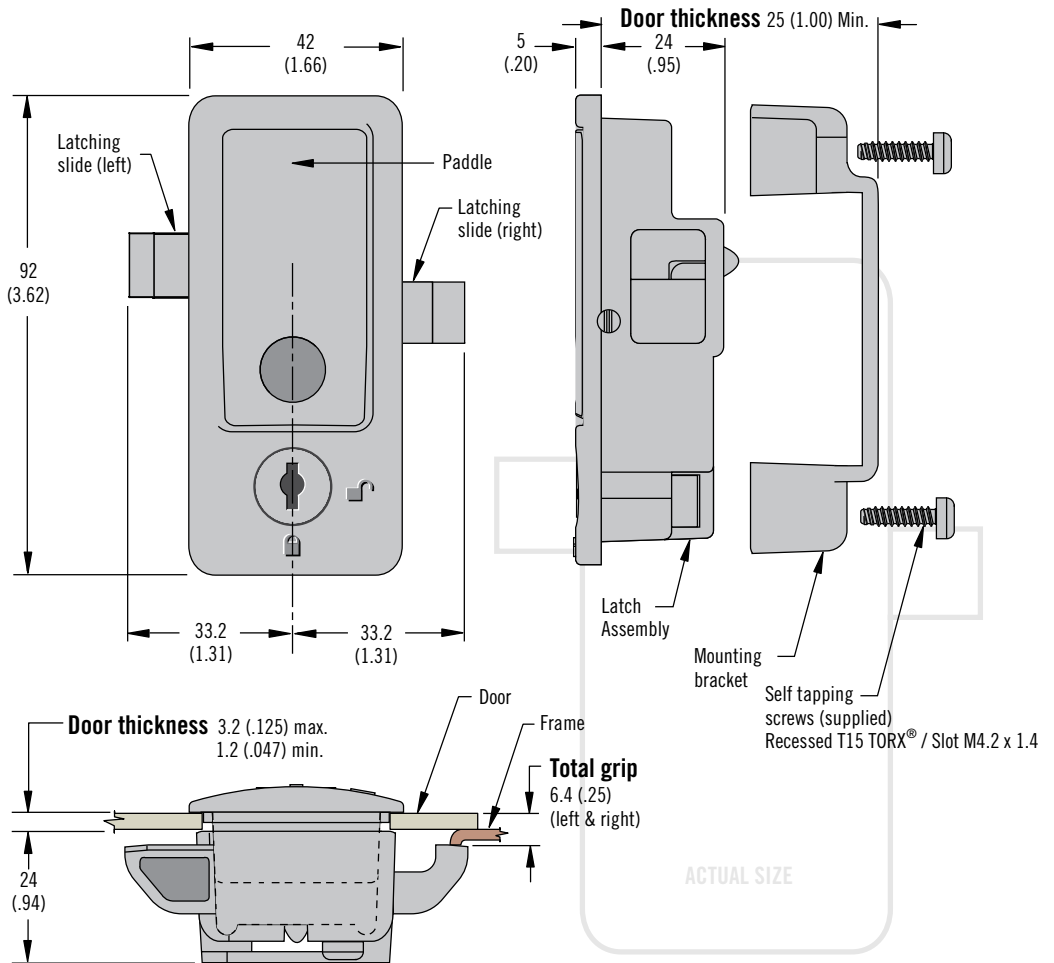


1. Unlock
2. Press and pull to open
3. Push to close



Part Number

See table



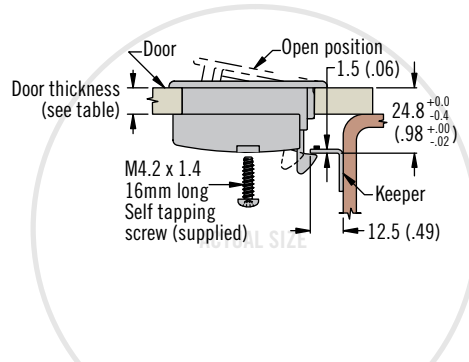
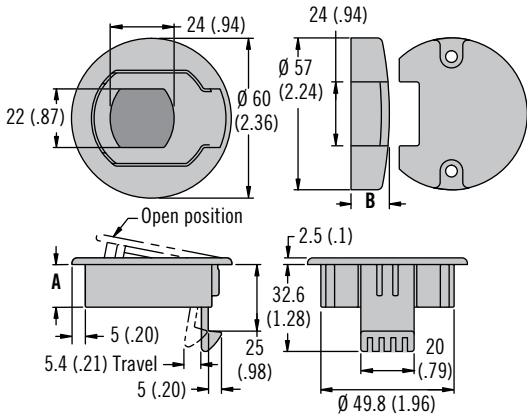
Part Number (2 Flat Keys Supplied)	
Right side latching	M1-2F-1-25
Dual side latching	M1-2F-2-25
Left side latching	M1-2F-3-25

M1 Push-to-Close Latch

Lift-to-open · Flush



Mounting Cup



Door Thickness Range	A	B	Part Number
1 - 7 (.04 - .28)	16 (.63)	20.4 (.80)	M1-81
7 - 13 (.28 - .51)	16 (.63)	14.3 (.57)	M1-82
13 - 19 (.51 - .75)	22 (.87)	14.3 (.57)	M1-83

- Low profile
- Non-corrosive and non-conductive

Material and Finish

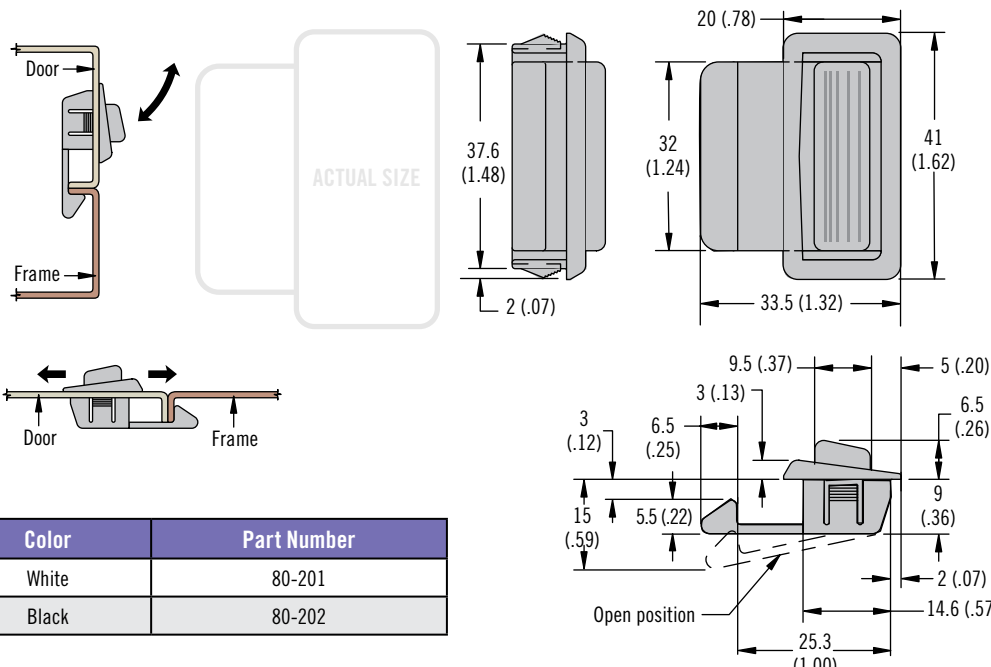
Latch: Acetal, black
 Mounting hardware: Stainless steel

Other options available. For complete details on variety, part numbers, installation and specification, go to

www.southco.com/M1

80 Push-to-Close Latch

Push-to-open · Snap-in



Color	Part Number
White	80-201
Black	80-202

- Snap-in installation
- Non-corrosive and non-conductive
- Suitable for sliding or hinged doors

Material and Finish

Acetal, black or white

Other options available. For complete details on variety, part numbers, installation and specification, go to

www.southco.com/80





64 Push-to-Close Latch

Pull-to-open · Paddle latch · Miniature

- Single hole installation
- Concealed mounting
- Plastic slide

Material and Finish

Stainless steel passivated and brushed finish and glass reinforced nylon, black

Performance Details

Max. working load:

90 N (20 lbf)

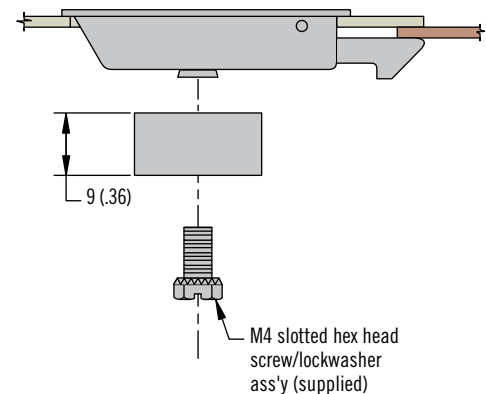
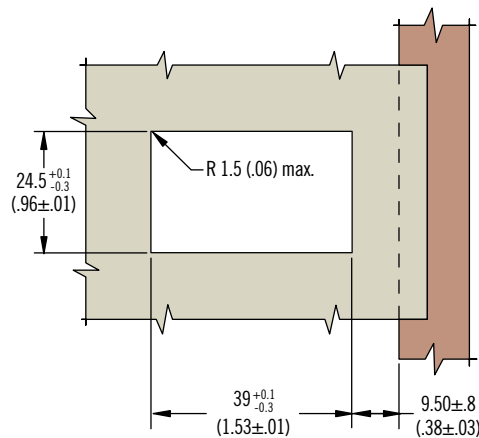
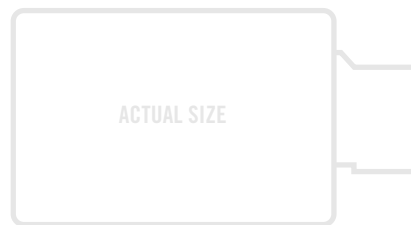
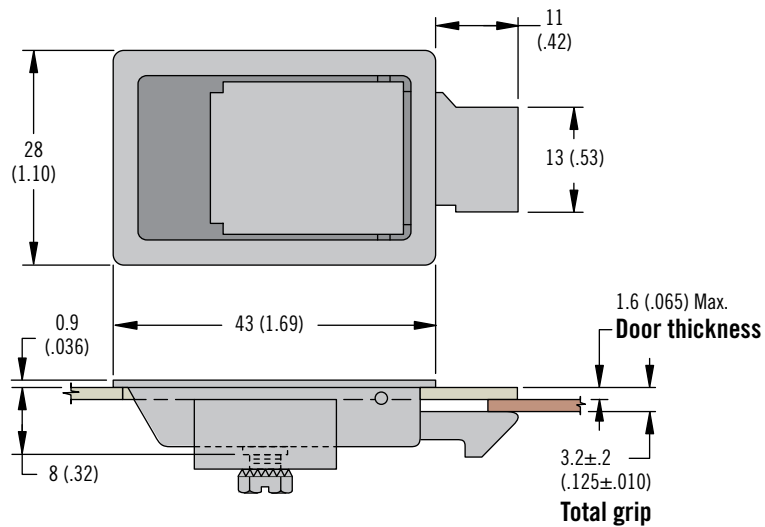
Operating temperature range:

-18°C (0°F) to 100°C (210°F)

Flammability rating: UL94-V0

Installation Notes

Max. tightening torque on mounting screws: 0.9 N·m (8 in·lbf)



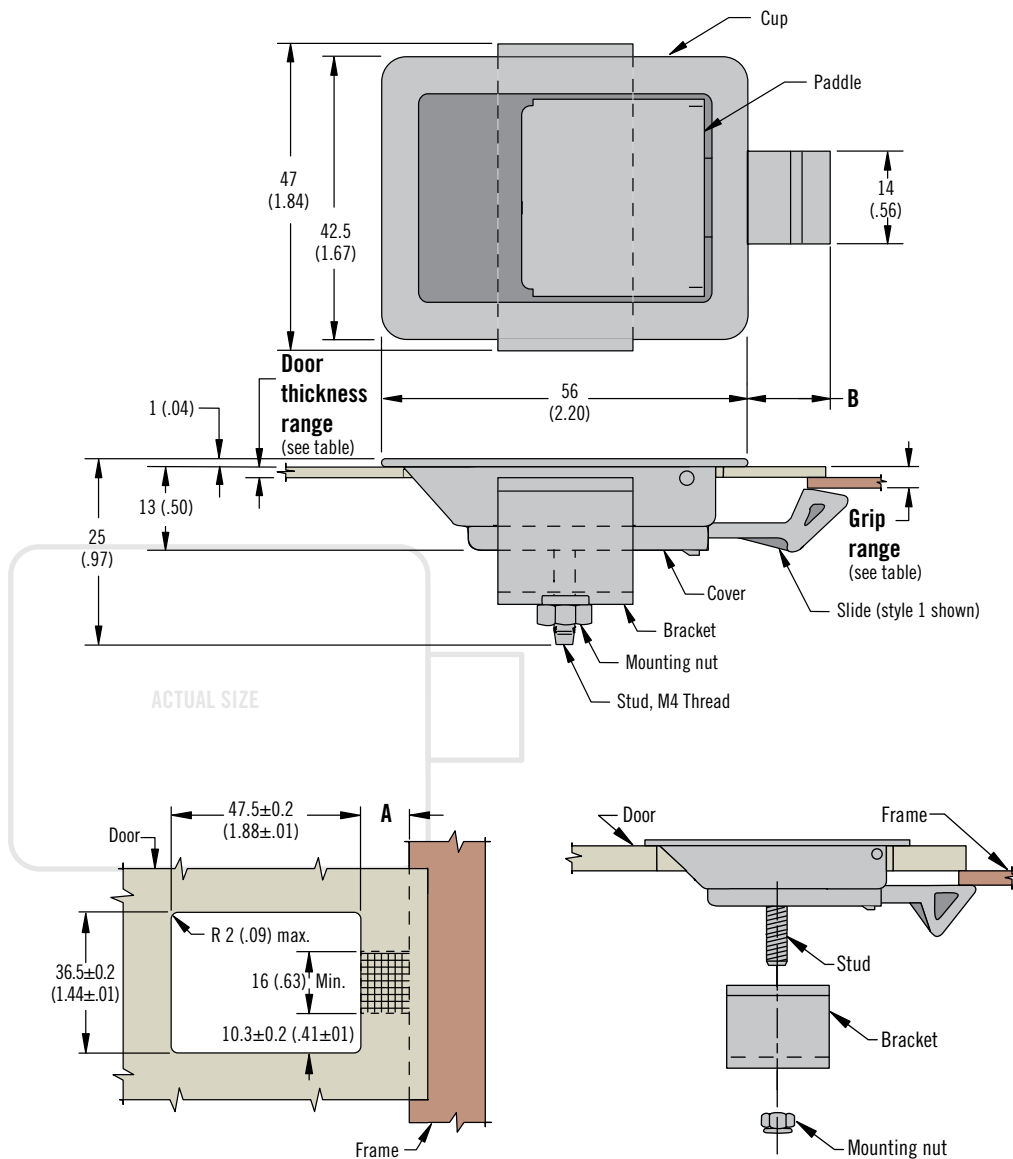
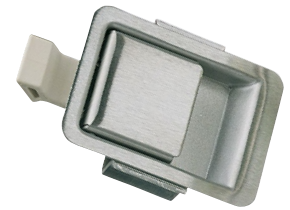
Part Number

See table

Part Number
64-01-10

64 Push-to-Close Latch

Pull-to-open · Paddle latch · Small



- Single hole installation
- Concealed mounting
- Plastic slide

Material and Finish

Stainless steel passivated and brushed or black powder coated and glass reinforced nylon, natural

Performance Details

Max. working load:

Style	Max. Static Load N (lbf)
1	130 (30)
2	110 (25)
3	90 (20)
4	70 (15)
5	55 (12)

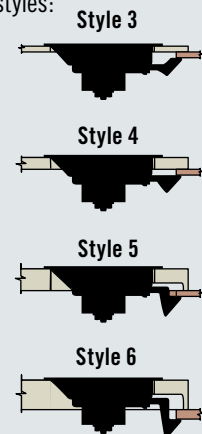
Operating temperature range:
-18°C (0°F) to 100°C (210°F)

Flammability rating: UL94-V0

Installation Notes

Door thickness must not exceed T dimension (see table) in area through which slide will operate. It may be necessary to reduce thickness of door in area indicated by grid.

Slide styles:



Grip Range		Slide Style	A		B	T (See Notes)	Part Number Brushed Finish			
Min.	Max.		Min.	Max.			Door Thickness Range			
							3.7 (.144) Max.	3.9 - 7.3 (.154 - .288)	11.1 - 14.6 (.437 - .576)	18.6 - 22 (.734 - .868)
1.2 (.05)	2 (.08)	1	10.4 (.41)	12.7 (.50)	12.4 (.49)	1.6 (.063)	64-10-111-50	~	~	~
2.8 (.11)	3.6 (.14)	3	11.9 (.47)	14.2 (.56)	14.2 (.56)	3.2 (.125)	64-10-113-50	64-10-133-50	~	~
6 (.23)	6.7 (.27)	4				6.4 (.250)	64-10-124-50	64-10-114-50	~	~
12.3 (.48)	13.1 (.52)	5				7.1 (.281)	64-10-125-50	64-10-135-50	64-10-115-50	64-10-115-50
18.6 (.73)	19.4 (.77)	6				7.1 (.281)	64-10-126-50	~	64-10-116-50	64-10-116-50

Notes

For an assembly with black powder coated finish change last digit from 0 to 5 - Example: 64-10-111-55



64 Push-to-Close Latch

Pull-to-open · Paddle latch · Small

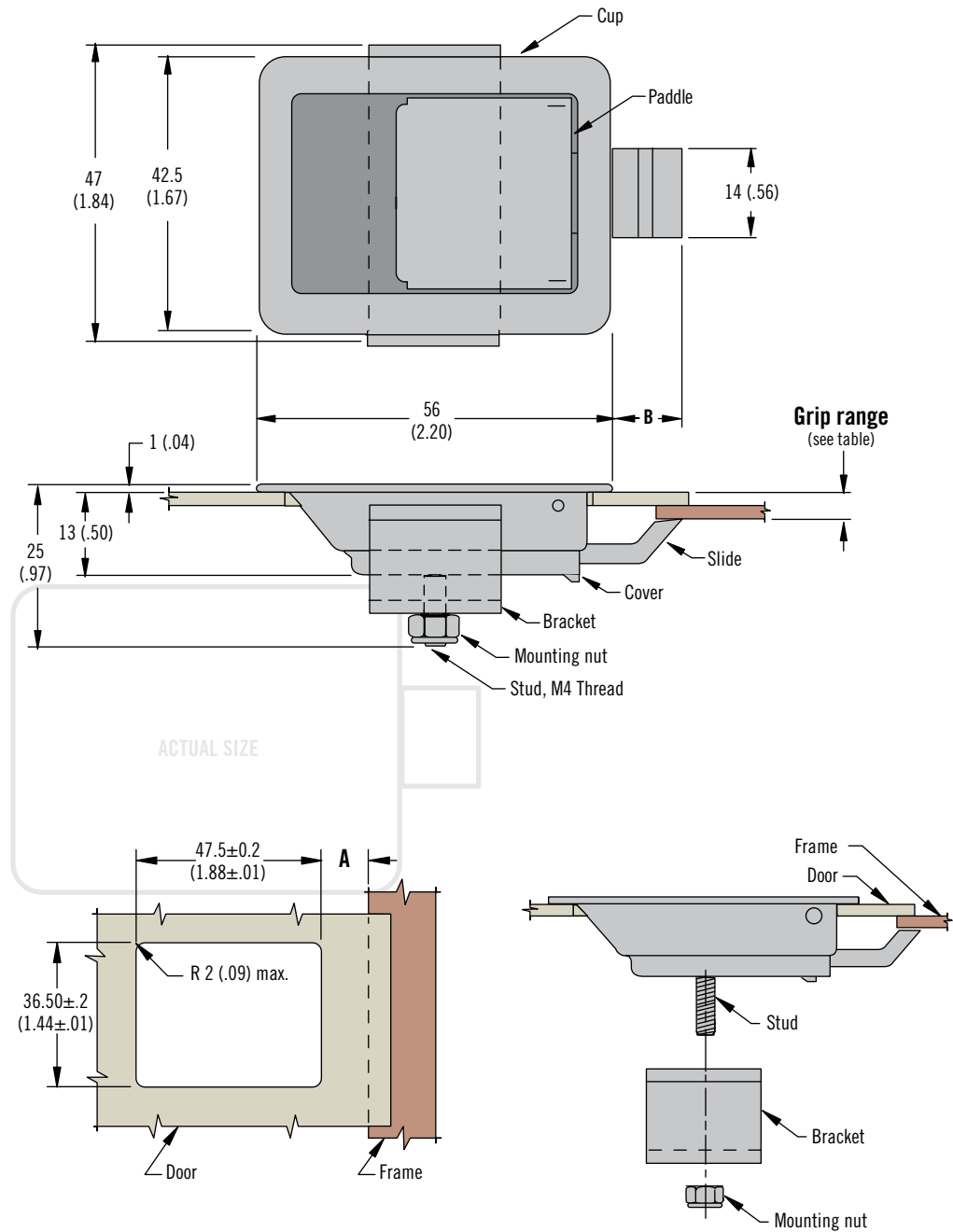
- Single hole installation
- Concealed mounting
- Metal slide

Material and Finish

Stainless steel passivated and brushed or black powder coated, steel, chrome plated

Performance Details

Max. working load:
222 N (50 lbf)



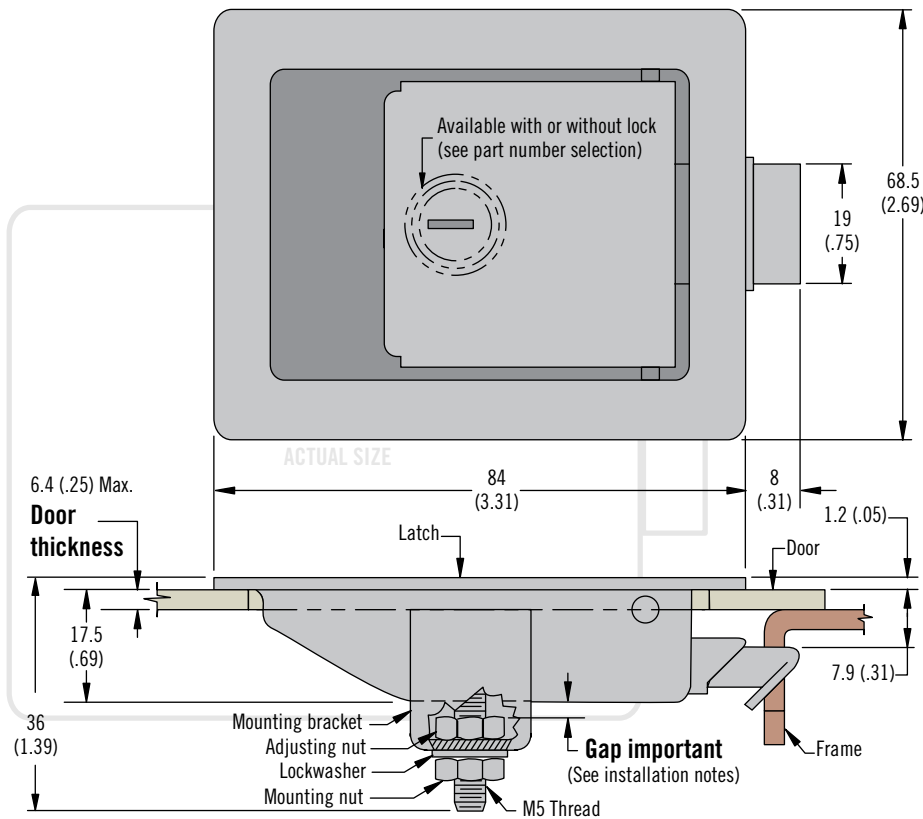
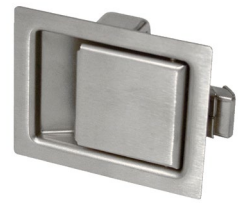
Part Number

See table

Grip Range		Part Number		A		B
Min.	Max.	Stainless Steel, Brushed	Stainless Steel Black Powder coated	Min.	Max.	
1.2 (.05)	2 (.08)	64-11-10	64-11-12	10.4 (.41)	12.7 (.50)	11.5 (.45)
2 (.08)	2.8 (.11)	64-11-20	64-11-22	11.2 (.44)	13.5 (.53)	11.9 (.47)
2.8 (.11)	3.6 (.14)	64-11-30	64-11-32	11.9 (.47)	14.2 (.56)	12 (.48)

64 Push-to-Close Latch

Pull-to-open · Paddle latch · Medium



- Single hole installation
- Concealed mounting
- Metal slide

Material and Finish

Stainless steel brushed, steel, zinc plated or steel, black powder coated or silver

Performance Details

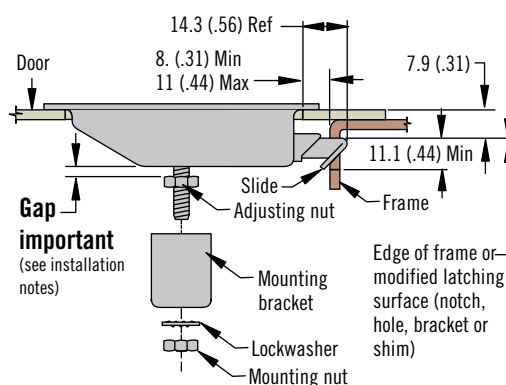
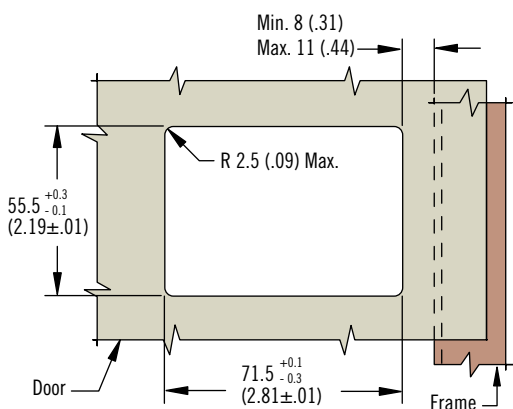
Max. working load:
570 N (125 lbf)

Installation Notes

Measure your door thickness and set adjusting nut so that GAP is equal to door thickness within plus 0.8 (.03), minus 0.0 (.00).

Accessories

Flat key, keyed alike H257
(2 keys per ring)
Part number: 64-0-33578



Part Number Selection

64 - 2 L - 1 M

L Lock style

- 1 Non-locking
- 2 Key-locking keyed alike H257 (2 keys supplied)

M Material

- 0 Stainless steel, brushed
- 1 Steel, black powder coated
- 3 Steel, zinc plated
- 5 Steel, powder coated silver





64 Push-to-Close Latch

Pull-to-open · Paddle latch · Large

- Single hole installation
- Concealed mounting
- Metal slide

Material and Finish

Stainless steel, brushed, steel, zinc plated or steel, black powder coated

Performance Details

Max. working load: 1110 N (250 lbf)

Installation Notes

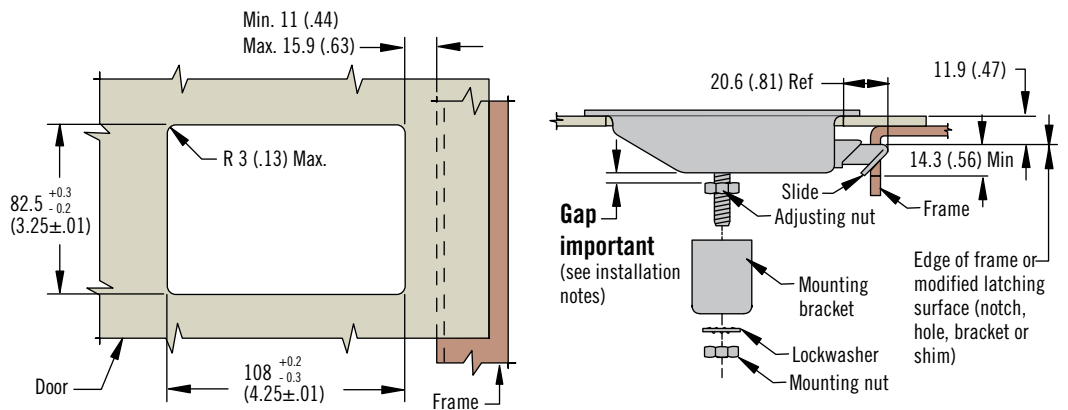
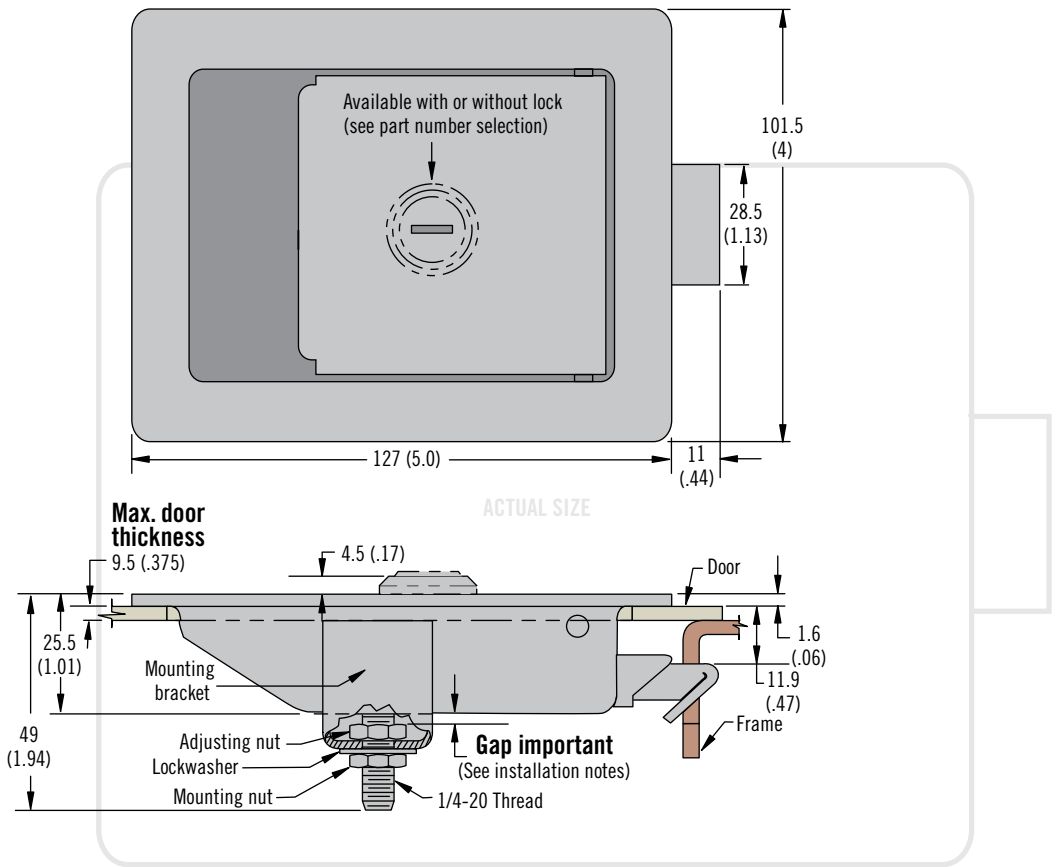
Measure your door thickness and set adjusting nut so that GAP is equal to door thickness within plus 0.8 (.03), minus 0.0 (.00)

Accessories

Flat key, keyed alike CH751 (2 keys per ring)
Part number: PK-10-01



Overmolded key, keyed alike CH751 (2 keys per ring)
Part number: PK-10-01-05



Part Number Selection

64 - 10 - 30 **L** - **M** **O**

L Lock style

1 Non-locking

2 Key-locking keyed alike H257 (2 keys supplied)

M Material

4 Steel, zinc plated

5 Stainless steel brushed

9 Steel, black powder coated