

# CABIN & COCKPIT ENTRY HARDWARE

## MA McCoy Swing Door Latch

A



The McCoy is a mortise lock designed for applications where elegant styling and a durable lockset are desired. It offers an exceptionally tough mechanism and a variety of sophisticated design features:

- 100% Marine-grade materials to prevent corrosion
- Double springs keep handle from sagging
- Emergency lock override

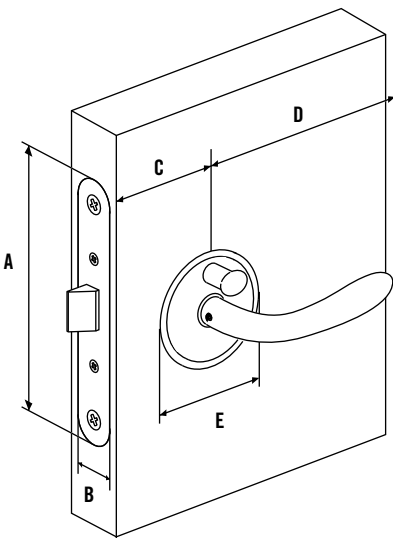
**Available Options:**

Finish: Chrome, Diamond Brass, Chrome with Diamond Brass accent, and Satin.  
 Please contact Southco Marine for other finish options.  
 Function: Available with or without privacy lock.

**Appearance:**

Combine handles, escutcheon plates, and accent plates to customise the latch for your application.  
 For unique styling combine the McCoy with a wide range of stylish Olivari handles. See page 9

**Dimensions**



	Imperial		Metric
	Nominal	Decimal	
A	3 29/32	3.906	99
B	41/64	.640	16
C	1 23/32	1.713	43.5
D	3 15/16	3.937	100
E	2 3/16	2.165	55

**Part Number Selection** (For Strikers please see page 23)

**FF** Finish ←

- 10 Chrome
- 12 Chrome + Satin Accent
- 14 Chrome + Brass Accent
- 20 Satin
- 21 Satin + Chrome Accent
- 40 Diamond Brass

**MA - BB - D L T - HH - FF**

**BB** Latch Mechanism ←

- 01 Standard Springbolt
- 08 Double Springbolt

**D** Directional ←

- 2 Right Out
- 3 Right In
- 4 Left Out
- 5 Left In
- 6 Right Out - Left In
- 7 Left Out - Right In

**HH** Handle →

- 01 Nova
- 02 Portofino

**T** Door Thickness →

- 0 22-30mm (7/8" - 1 3/16")
- 1 28-37mm (1 1/8" - 1 1/2")

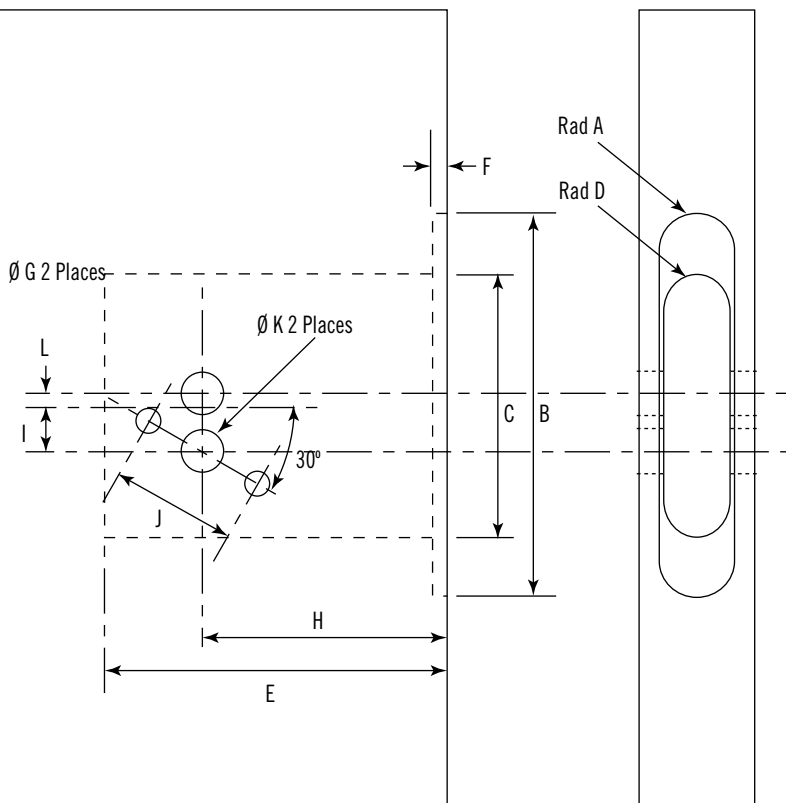
**L** Locking Option →

- 0 Non Locking **D** = 6 or 7
- 2 Privacy **D** = 2 to 5

# CABIN & COCKPIT ENTRY HARDWARE

## MA McCoy Swing Door Latch

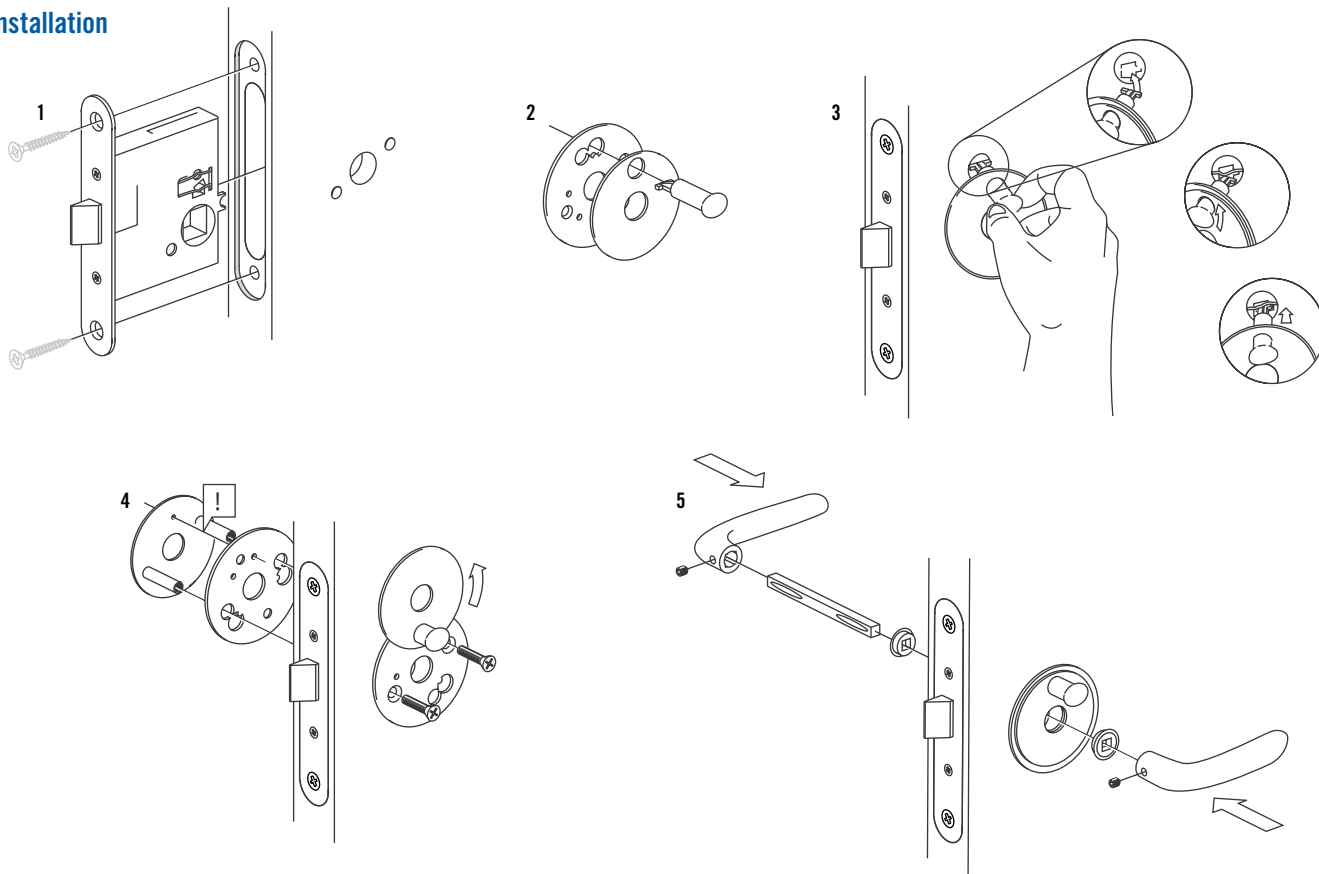
### Panel Preparation



	Imperial		Metric
	Nominal	Decimal	
A	5/16	.318	8.1
B	3 29/32	3.906	99
C	2 31/64	2.480	63
D	1/4	.250	6.5
E	2 3/8	2.375	60
F	5/64	.079	2
G	1/2	.50	13
H	1 25/32	1.772	45
I	1/2	.500	12.5
J	1 1/4	1.26	31.9
K	1/4	.25	6.5

**A**

### Installation



[www.southco.com/MA](http://www.southco.com/MA)

Dimensions in millimeters (inch) unless otherwise stated

# MA McCoy Star CABIN & COCKPIT ENTRY HARDWARE

A

## McCoy Star Round

Standard Springbolt and Portofino handle shown



## McCoy Star Square

Double Springbolt and Nordic handle shown

(For more information about the Double springbolt contact Southco)

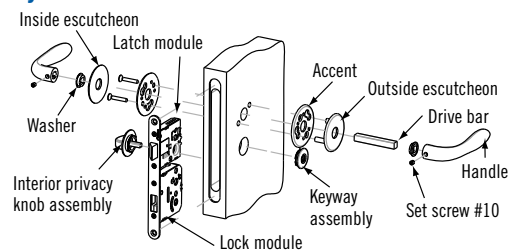


The McCoy Star line of key lockable entry and cabin door latches is designed for applications where a robust and secure design must be achieved with style. With multiple format, installation, locking, and finish options, a variety of McCoy entry door locks can be combined to satisfy the specific mechanical and security needs of multiple door applications throughout an entire boat, while achieving a consistent look and style.

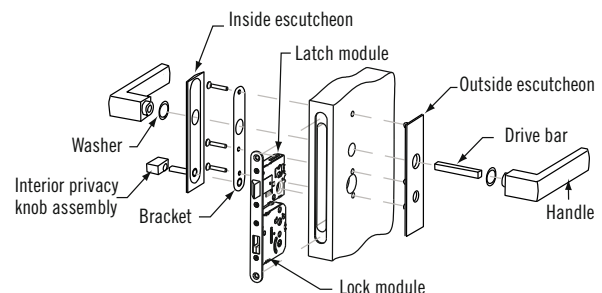
The choice of round and square escutcheon plates enables you to choose the solid performance and secure operation of the McCoy Star-Lock in styles to complement your other hardware.

- Provide high-end security with the Star-Lock system's three-axis six-pin tumbler design
- Enable a "one-key" solution for multiple cabin and entry doors all using the same secure Star-Lock system
- Prevent door lift-off with the Star-Lock hooked locking mechanism that features an active locking deadbolt facing up
- Promote an ergonomic non-slip grip with the molded head of the Star key
- Offer the option of an interior privacy knob with exterior override for non-locking applications
- Enhance your decor options with a wide range of high-quality designer handles, escutcheon plates, and accent plates in a variety of finish options – including diamond brass, polished chrome and satin
- Defend against corrosive environment with all marine-grade construction
- Satisfy door thicknesses ranging from 22 mm to 45 mm
- Reduce closing force and resist vibration with double springbolt option

### McCoy Star Round Installation



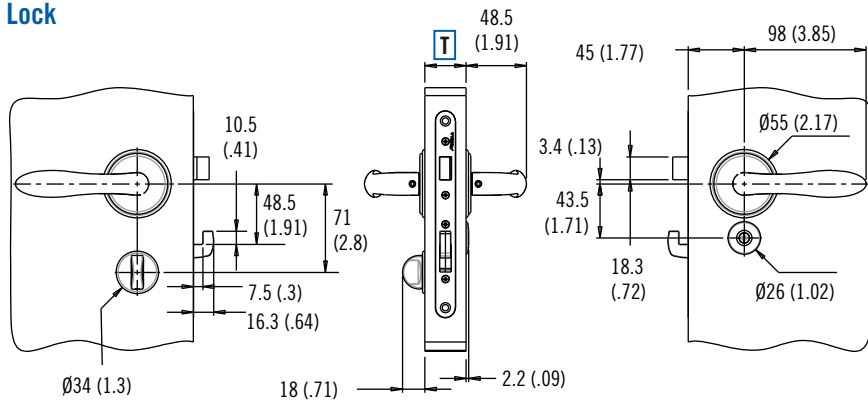
### McCoy Star Square Installation



# CABIN & COCKPIT ENTRY HARDWARE

MA McCoy Star Round

## Lock



## Part Number Selection

### FF Finish

- 10 Chrome
- 14 Chrome with diamond brass accent
- 20 Satin (matte chrome)
- 40 Diamond brass

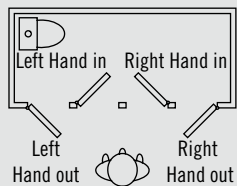
MA - BB - D L T - HH - FF 0

### BB Latch Mechanism

- 02 McCoy Star Standard Springbolt
- 07 McCoy Star Double Springbolt

### D Directional

- 2 Right Out
- 3 Right In
- 4 Left Out
- 5 Left In



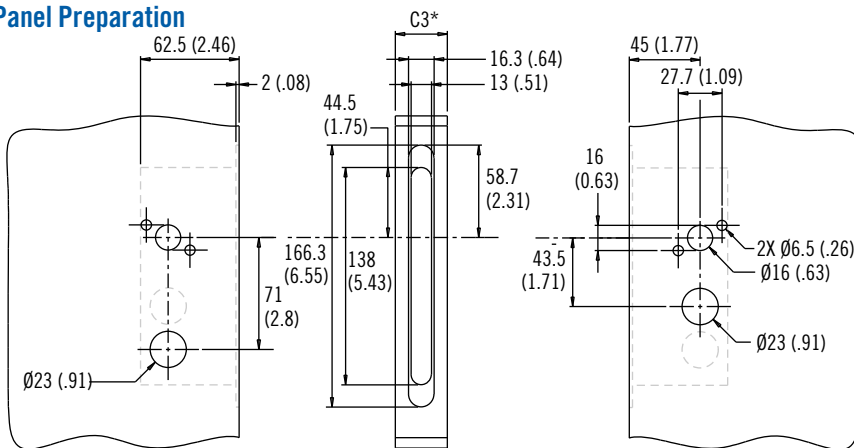
### T Door Thickness

- 0 22-30mm (7/8" - 1 3/16")
- 1 28-37mm (1 1/8" - 1 1/2")
- 2 36.5-45mm (1 7/16" - 1 3/4")

### L Locking Option

- 3 Star key lock (2 Star Keys included)
- 5 Privacy knob with emergency egress

## Panel Preparation



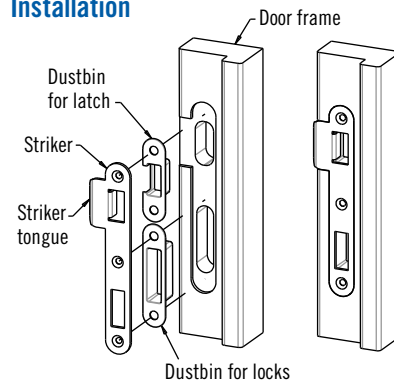
Dimensions in millimeters (inch) unless otherwise stated

[www.southco.com/MA](http://www.southco.com/MA)

## Striker



## Installation



## Part Number Selection

### Z Dustbin Option

- 0 No Dustbin
- 1 With Dustbin

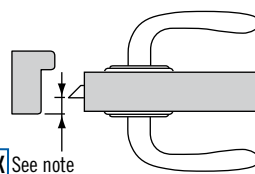
MC - 90 - 4 XX - Y Z - 10

### XX Position

- 05 5mm (3/16")
- 07 7mm (1/4")
- 09 9mm (3/8")
- 13 13mm (1/2")
- 16 16mm (5/8")
- 21 21mm (7/8")

### Y Swing

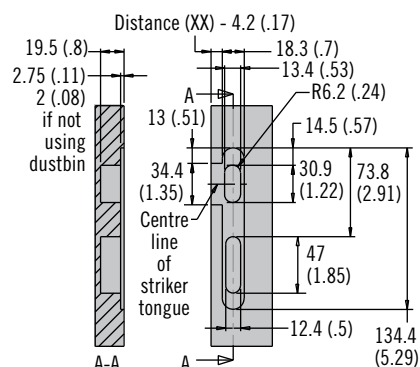
- 1 Right in/ Left out
- 2 Left in/ Right out



Note: Distance **XX** is measured from the edge of the frame to the spring bolt

**XX** See note

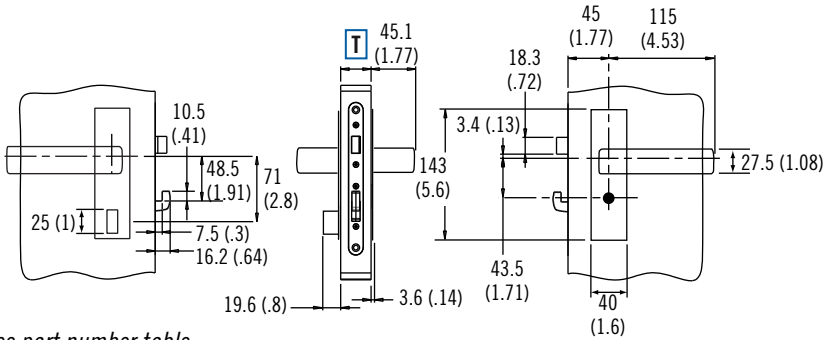
## Panel Preparation



# CABIN & COCKPIT ENTRY HARDWARE

## MA McCoy Star Square

A



\*See part number table

### Part Number Selection

**FF** Finish

- 10 Chrome
- 40 Diamond brass

**MA - BB - D L T - HH - FF 1**

**BB** Latch Mechanism

- 02 McCoy Star Standard Springbolt
- 07 McCoy Star Double Springbolt

**D** Directional

- 2 Right Out
- 3 Right In
- 4 Left Out
- 5 Left In

**L** Locking Option

- 0 Non Locking
- 3 Star key lock (2 Star Keys included)
- 5 Privacy knob with emergency egress

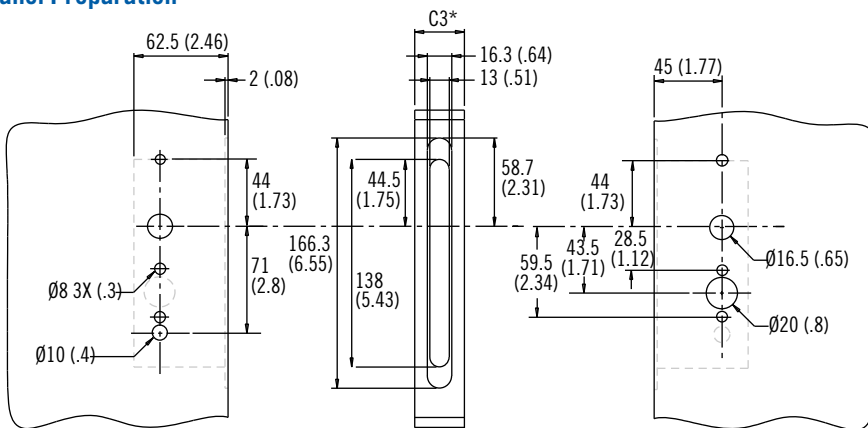
**T** Door Thickness

- 0 22-30mm (7/8" - 1 3/16")
- 1 28-37mm (1 1/8" - 1 1/2")
- 2 36.5-45mm (1 7/16-1 3/4")

**HH** Handle

- 42 Nordic

### Panel Preparation



[www.southco.com/MA](http://www.southco.com/MA)

Dimensions in millimeters (inch) unless otherwise stated



# CABIN & COCKPIT ENTRY HARDWARE

MA McCoy & Olivari

Let Southco Marine provide the perfect accent to your interior design. Award winning Olivari handles can be teamed with the world class McCoy lockset to provide the look and feel that set your design apart.

Contact Southco Marine to discover the perfect finishing touch.

**FF** Finish

- 10 Chrome
- 12 Chrome + Satin Accent
- 14 Chrome + Brass Accent
- 20 Satin
- 21 Satin + Chrome Accent
- 40 Diamond Brass

**BB** Type

- 01 Round
- 02 Star Locking
- 07 Double Springbolt, Star Locking
- 08 Double Springbolt

**D** Directional

- 2 Right Out
- 3 Right In
- 4 Left Out
- 5 Left In
- 6 Right Out - Left In
- 7 Left Out - Right In

**L** Locking Option

- 0 Non Locking (BB=01 or 08)
- 2 Privacy (BB=01 or 08)
- 3 Star Locking (BB=02 or 07)

**T** Door Thickness

- 0 22-30mm (7/8" - 1 3/16")
- 1 28-37mm (1 1/8" - 1 1/2")
- 2 36.5-45mm (1 7/16 - 1 3/4")

**HHH** Handle

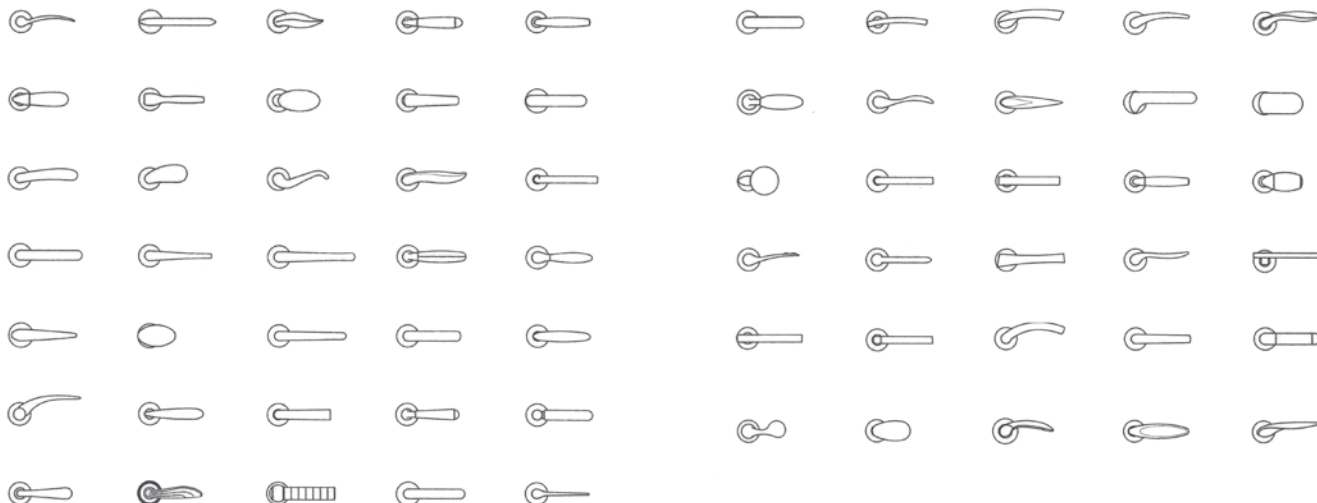
Refer to Olivari website and literature for 3-digit handle code for example  
Aster = 174  
Sector = 186

**MA - BB - D L T - HHH - FF**



A

Ensure that your desired finish is available for the selected handle style. Please note some Olivari handle designs may not be suitable for use with the privacy option. Contact Southco Marine for further information.



[www.southco.com/MA](http://www.southco.com/MA)

Dimensions in millimeters (inch) unless otherwise stated



Request Info



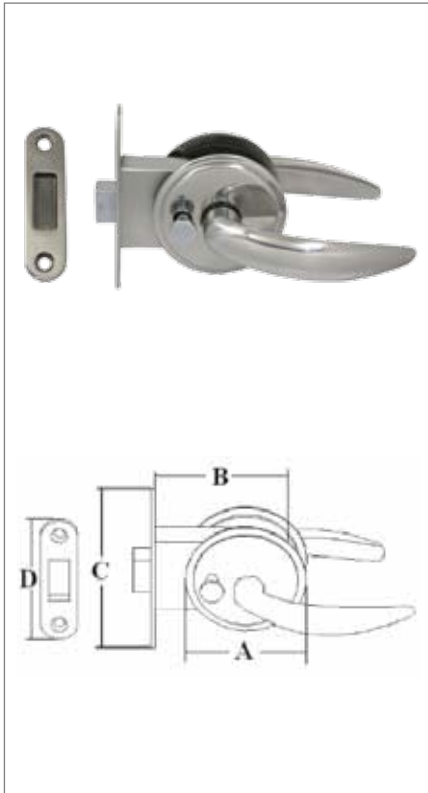
1-800-453-1692

[www.aboveboardelectronics.com](http://www.aboveboardelectronics.com)

# CABIN & COCKPIT ENTRY HARDWARE

## MA Magnetic Door Latch - Stainless Steel

A



### MAGNETIC CABIN DOOR LATCH - HANDLE STYLE

- 316 stainless steel
- Suitable for door thickness between 19 – 35mm (3/4" – 1-3/8")
- Features a privacy knob on the inside and an egress opening on the outside
- Easy installation
- Quiet operation due to magnetic pawl
- Complete latch set including handles and striker
- Available in bright stainless steel

Part No	A mm	B mm	C mm	D mm	Door Size	Finish
MA-06-110-21-10	62 (2 7/16")	75 (3")	92 (3 5/8")	70 (2 3/4")	19 (3/4") - 25 (1")	Polished
MA-06-111-21-10	62 (2 7/16")	75 (3")	92 (3 5/8")	70 (2 3/4")	28 (1 1/8") - 35 (1 3/8")	Polished



### MAGNETIC CABIN DOOR LATCH - ROUND KNOB STYLE

- 316 stainless steel
- Suitable for door thickness between 19 - 35mm (3/4" - 1-3/8")
- Features a privacy knob on the inside and an egress opening on the outside
- Easy installation
- Quiet operation due to magnetic pawl
- Complete latch set including handles and striker
- Available in bright stainless steel

Part No	A mm	B mm	C mm	D mm	Door Size	Finish
MA-06-110-22-10	62 (2 7/16")	75 (3")	92 (3 5/8")	70 (2 3/4")	19 (3/4") - 25 (1")	Polished
MA-06-111-22-10	62 (2 7/16")	75 (3")	92 (3 5/8")	70 (2 3/4")	28 (1 1/8") - 35 (1 3/8")	Polished

[www.southco.com/MA](http://www.southco.com/MA)

Dimensions in millimeters (inch) unless otherwise stated

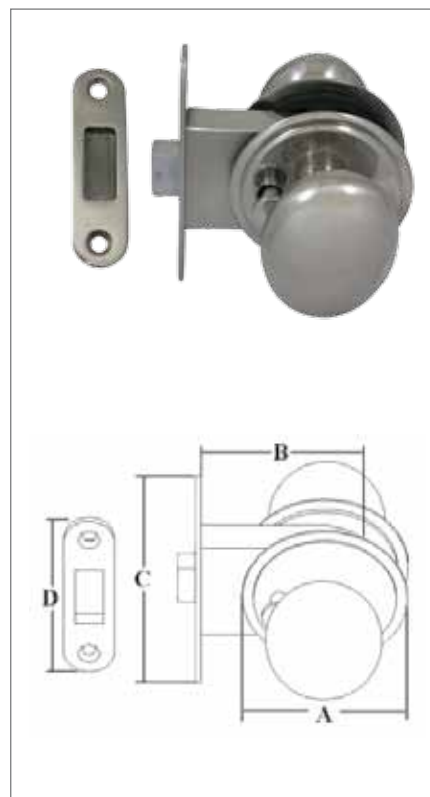
# CABIN & COCKPIT ENTRY HARDWARE

## MA Magnetic Door Latch - Stainless Steel

### MAGNETIC PRIVACY DOOR LATCH - OVAL KNOB STYLE

- 316 stainless steel
- Suitable for door thickness between 19 – 35mm (3/4" – 1-3/8")
- Features a privacy knob on the inside and an egress opening on the outside
- Easy installation
- Quiet operation due to magnetic pawl
- Complete latch set including handles and striker
- Available in bright stainless steel

Part No	A mm	B mm	C mm	D mm	Door Size	Finish
MA-06-110-23-10	62(2-7/16")	75(3")	92(3-5/8")	70(2-3/4")	3/4"-1"	Polished
MA-06-111-23-10	62(2-7/16")	75(3")	92(3-5/8")	70(2-3/4")	1-1/8"-1-3/8"	Polished



A

### MAGNETIC DOOR LOCK - FLUSH

- 316 stainless steel
- Fits 16-18mm (5/8 - 3/4") thickness doors
- Features inside privacy knob and outside key lock
- Suitable for both swing and curved doors
- M5-99-162 and M5-99-161 both without handle filler

Part No	Model	A mm	B mm	C - Min.	D mm	E mm	F mm
M5-99-142	Left	58 (2 1/4")	100 (4")	16 (5/8")	-	-	-
M5-99-141	Right	58 (2 1/4")	100 (4")	16 (5/8")	-	-	-
M5-99-162	Left	58 (2 1/4")	100 (4")	16 (5/8")	-	-	-
M5-99-161	Right	58 (2 1/4")	100 (4")	16 (5/8")	-	-	-
M5-99-167	Striker	-	-	-	26 (1")	100 (4")	26 (1")



[www.southco.com/MA](http://www.southco.com/MA)

Dimensions in millimeters (inch) unless otherwise stated



# CABIN & COCKPIT ENTRY HARDWARE

## ME Offshore Swing Door Latch

A



### DOOR THICKNESS RANGE:

**Mortise Mount:** 18 - 37mm (11/16" - 1-1/2")

**Flush Mount:** 12.7 - 21mm (1/2" - 7/8")

The Offshore is available for both mortise- and flush-mount installations. It features a variety of options to customise the lock to your application requirements. Standard features include:

- All marine-grade materials for corrosion resistance
- Offshore flush-mount is designed to fit thinner doors (from 12.7mm / 1/2")
- Interior Privacy Lock with exterior override
- 14mm (9/16") spring-bolt travel allows for large variations between door and frame
- For custom and matching key codes please contact Southco Marine

### Available Options:

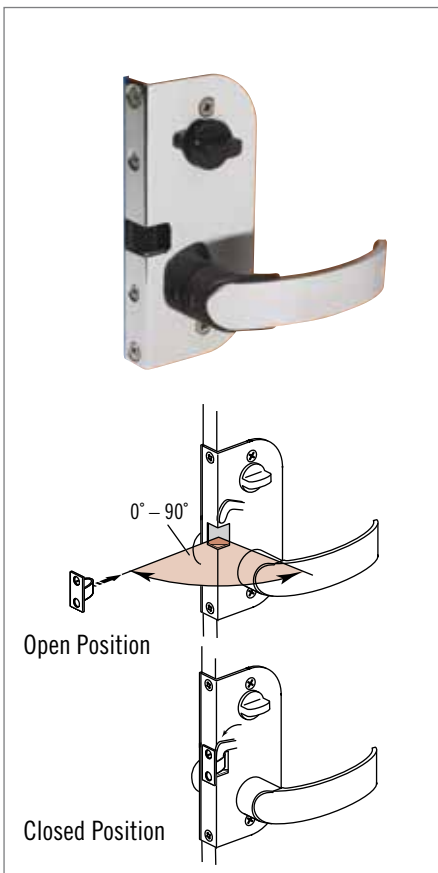
Finish: Five finish options to suit your styling needs: Aluminium, Brass, Black, Chrome and White.

Keylock: Optional from the exterior.

### Accessories:

Doorkeeper: Used to hold door open, see page 17.

## ME Curved OFFSHORE Swing Door



### DOOR THICKNESS RANGE: 12.7 - 25.4mm (1/2" - 1")

By adding optional spacers, the door thickness can be reduced to 8mm (5/16").

The Curved Offshore is designed for both sliding and swing doors, as well as double doors and curved doors. This unique locking system works in any angle between a sliding and swing door.

### It features:

- All marine-grade materials for superior corrosion resistance
- Interior Privacy Lock with exterior override
- For custom and matching key codes please contact Southco Marine

### Available Options:

- Finish: Chrome, Aluminium, Diamond Brass. Keylock: Exterior
- Door Thickness: For doors thicker than 25.4mm please contact Southco
- Operation: Left- or Right-hand swing

### Accessories:

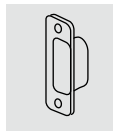
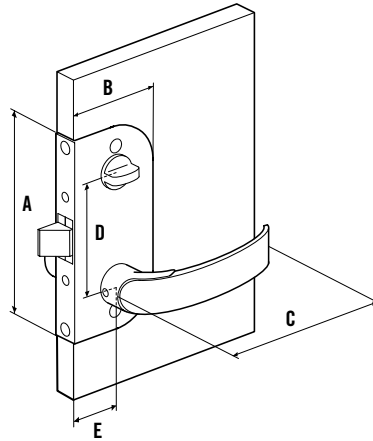
Spacer: Spacer available to accept thinner door thickness.

Doorkeeper: Used to hold door in open position, see page 17.

# CABIN & COCKPIT ENTRY HARDWARE ME Offshore Flush Version

A

	Imperial		Metric
	Nominal	Decimal	
A	4 37/64	4.587	116.5
B	2 5/32	2.165	55
C	3 15/16	3.937	100
D	2 7/16	2.441	62
E	1 3/16	1.181	30



For strikers see page 23

**L** Locking Option

- 0 Privacy
- 1 Key Locking

**ME - 01 - D L T - FF**

**FF** Finish

- 10 Chrome
- 40 Diamond brass
- 50 Black
- 60 Aluminium
- 70 White

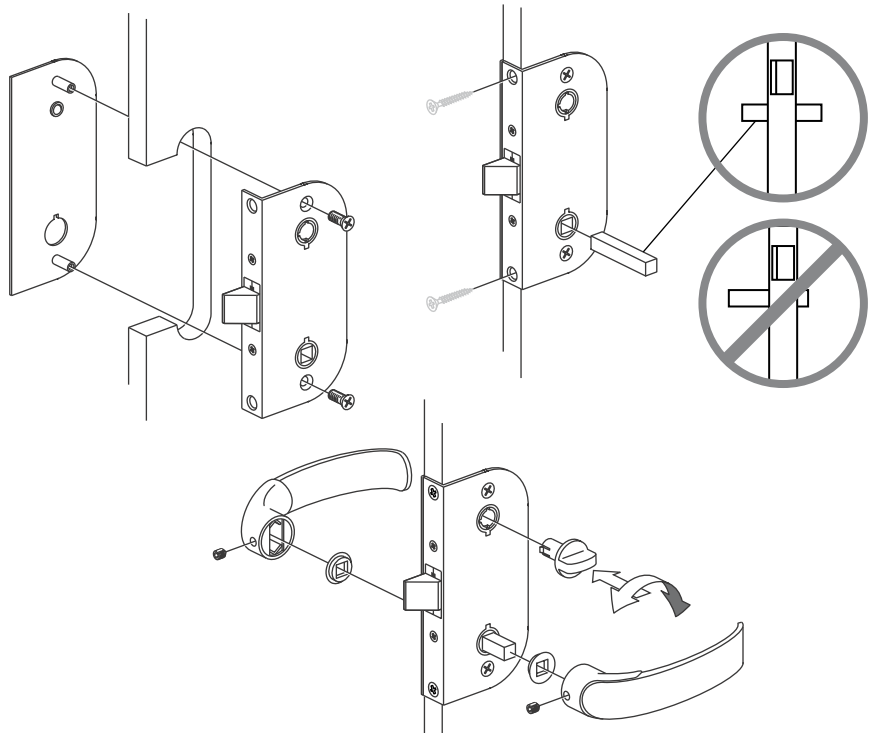
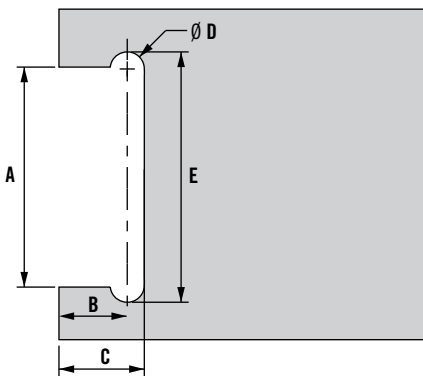
**T** Door Thickness

- 0 12.5 - 15mm (1/2" - 5/8")
- 1 14.5 - 17mm (9/16" - 11/16")
- 2 17 - 19mm (11/16 - 3/4")
- 3 19 - 21mm (3/4 - 7/8")

**D** Directional

- 2 Right Out
- 3 Right In
- 4 Left Out
- 5 Left In

## Panel Preparation



	Imperial		Metric
	Nominal	Decimal	
A	3 21/32	3.65	93
B	1 3/32	1.09	28
C	1 21/32	1.65	42
D	1 3/32	1.09	28
E	4 1/32	4.00	102

[www.southco.com/ME](http://www.southco.com/ME)

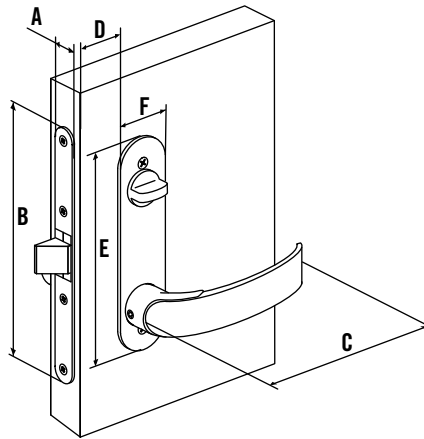
Dimensions in millimeters (inch) unless otherwise stated

# CABIN & COCKPIT ENTRY HARDWARE

## ME Offshore Mortise Version

A

### Chrome Mortise Mounted, Privacy



	Imperial		Metric
	Nominal	Decimal	
A	31/64	.492	12.5
B	5 5/16	5.312	135
C	3 15/16	3.937	100
D	39/64	.610	15.5
E	4 37/64	4.587	116
F	1 3/16	1.181	30

### Part Number Selector

**L** Locking Option  
 0 Privacy  
 1 Key Locking

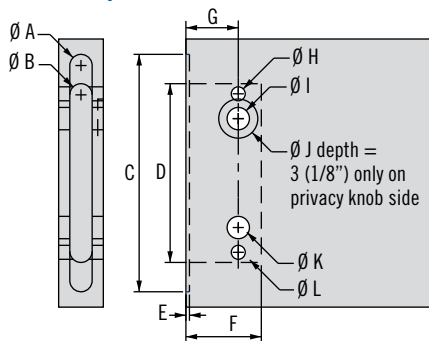
**D** Directional  
 2 Right Out  
 3 Right In  
 4 Left Out  
 5 Left In

**FF** Finish  
 10 Chrome  
 40 Diamond brass  
 50 Black  
 60 Aluminium  
 70 White

**T** Door Thickness  
 4 18 - 22mm (11/16" - 7/8")  
 5 22 - 27mm (7/8" - 1 1/16")  
 6 27 - 32mm (1 1/6" - 1 1/4")  
 7 32 - 37mm (1 1/4" - 1 1/2")

**ME - 02 - D L T - FF**

### Panel Preparation



	Imperial		Metric
	Nominal	Decimal	
A	1/2	.5	12.5
B	1/2	.5	12.5
C	5 5/16	5.312	135
D	4	4	102
E	1/16	.062	1.5
F	1 11/16	1.687	43
G	1 11/64	1.171	30
H	5/16	.313	8
I	1/2	.5	12
J	7/8	.875	22
K	1/2	.5	12
L	5/16	.313	8

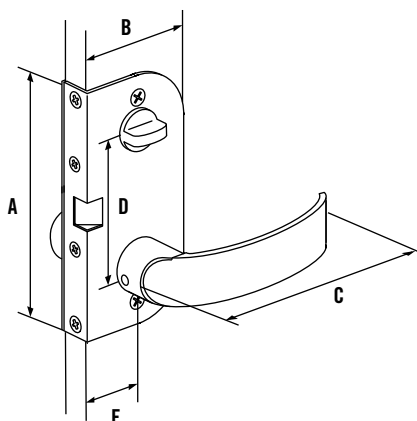
### Installation Mortise Mount

1. Mounting the strike plate to the door edge.
2. Inserting the handle assembly into the mortise.
3. Tightening the handle assembly.
4. Final alignment and tightening.
5. Final check and adjustment.

For strikers see page 23

# CABIN & COCKPIT ENTRY HARDWARE ME Offshore Curved Version

	Imperial		Metric
	Nominal	Decimal	
A	4 37/64	4.587	116.5
B	2 5/32	2.165	55
C	3 15/16	3.937	100
D	2 7/16	2.441	62
E	1 3/16	1.181	30



## Curved Offshore



A

## Part Number Selector

**L** Locking Option

- 0 Privacy
- 1 Key Locking

**ME - 03 - D L T - FF**

**FF** Finish

- 10 Chrome
- 40 Diamond brass
- 60 Aluminium

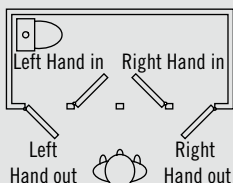
**D** Directional

- 6 Right Out / Left In
- 7 Left Out / Right In

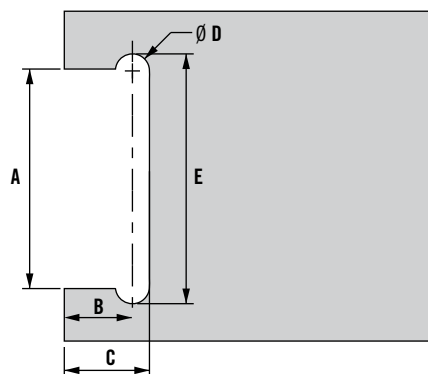
**T** Door Thickness

For thinner doors please add below spacer

- 1 12.7mm (1/2")
- 2 19mm (3/4")
- 3 25.4mm (1")

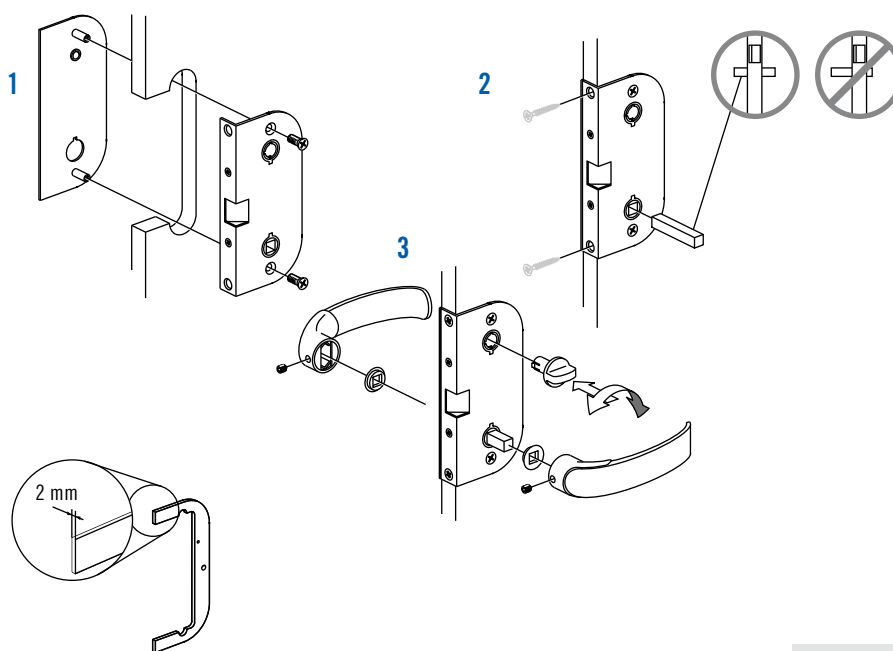


## Panel Preparation



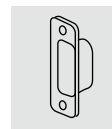
	Imperial		Metric
	Nominal	Decimal	
A	3 21/32	3.65	93
B	1 3/32	1.09	28
C	1 21/32	1.65	42
D	1 3/32	1.09	28
E	4 1/32	4.00	102

## Installation



SPACER PART NUMBER	
Chrome, 2 mm (5/64")	ME-R8362

For strikers see page 23



# CABIN & COCKPIT ENTRY HARDWARE

## MC Compact Cabin Door Lock

A



### DOOR THICKNESS RANGE: 19 - 32mm (3/4" - 1-1/4")

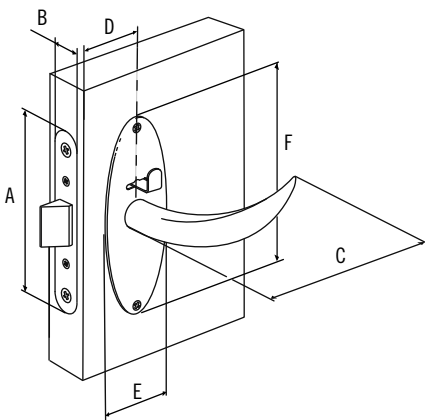
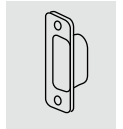
The Compact features a simple yet graceful design that works with all swing-door variations. The Compact is designed for Cabin, Stateroom, and Head-door applications.

- All marine-grade materials, including stainless steel and brass for superior corrosion resistance
- Emergency lock override
- Easy installation with rounded forends
- One part number for all swing-door variations

### Available Options:

- Finish: Options include: Chrome with/without Brass accent, Satin
- Escutcheon Plates: "Long Island"
- Operation: Universal design fits all door swings
- Accessories
- Doorkeeper: Used to hold door open

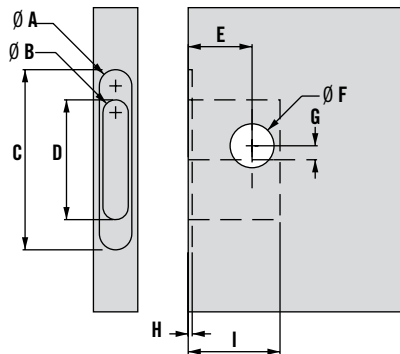
For strikers  
see page 23



F = Long Island

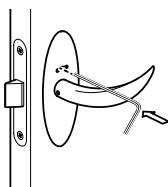
	Imperial		Metric
	Nominal	Decimal	
A	3 9/16	3.55	90
B	5/8	.63	16
C	3 5/16	3.31	84
D	1 1/4	1.26	32
E	1 3/8	1.38	35
F	3 13/16	3.82	97

### Panel Preparation



	Compact Long Island		
	Imperial		Metric
	Nominal	Decimal	
A	5/8	.64	16
B	1/2	.50	13
C	3 9/16	3.553	90
D	2 3/8	2.362	60
E	1 17/64	1.26	32
F	7/8	.866	22
G	9/32	.276	7
H	5/64	.079	2
I	1 13/16	1.811	46

How to override a locked Compact door lock from the outside



For installation details see opposite page.

COMPACT PART NUMBERS						
Escutcheon Plate Finish	Privacy	Out	In	Left	Right	
Long Island, chrome	X	X	X	X	X	MC-01-120-10
Long Island,chrome, brass accent	X	X	X	X	X	MC-01-120-14
Long Island, satin	X	X	X	X	X	MC-01-120-20
Long Island, cast chrome,	X	X	X	X	X	MC-02-120-10

[www.southco.com/MC](http://www.southco.com/MC)

Dimensions in millimeters (inch) unless otherwise stated

# CABIN & COCKPIT ENTRY HARDWARE Doorkeeper

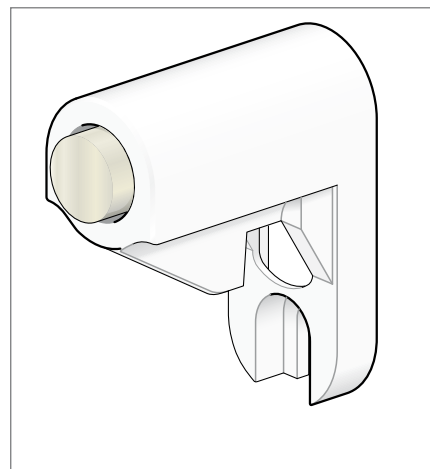
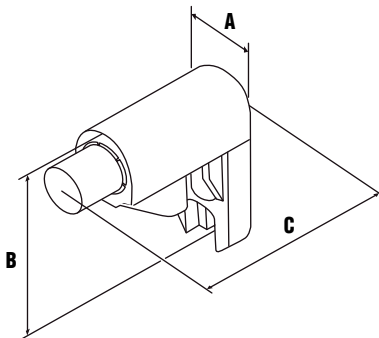
The Doorkeeper stops and holds doors open. They are designed to work with the McCoy, Offshore and Compact latches (see pages 12-15 and opposite).

- All Marine-grade ABS materials
- Damping/non-vibration feature keeps doors from rattling when held open
- Easy to install

### Available Options:

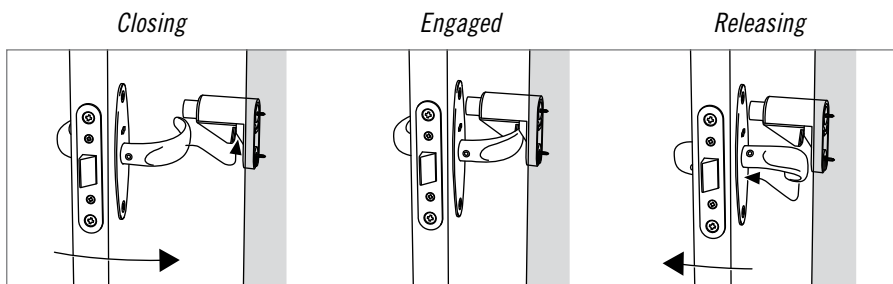
- Color: Available in black or white.

	Imperial		Metric
	Nominal	Decimal	
<b>A</b>	13/16	.787	20
<b>B</b>	1 7/8	1.898	48
<b>C Offshore</b>	1 15/16	1.913	49
<b>C Compact</b>	2 3/16	2.189	56



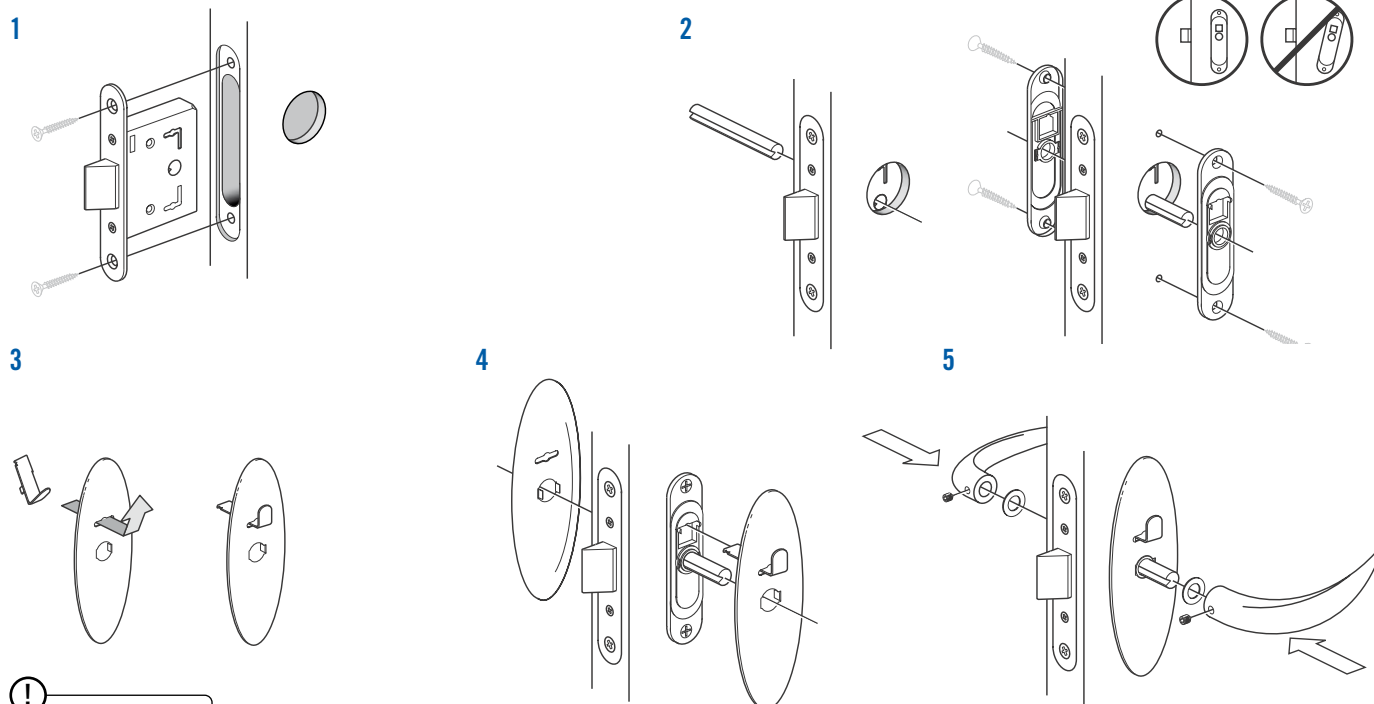
A

### Operation



DOORKEEPER PART NUMBERS	
Offshore, Black	MC-91-102-50
Offshore, White	MC-91-102-70
Compact, Black	MC-91-101-50
Compact, White	MC-91-101-70

### MC Compact Installation



**!** Adjust set screw to secure handle

[www.southco.com/MC](http://www.southco.com/MC)

Dimensions in millimeters (ii)

# CABIN & COCKPIT ENTRY HARDWARE

## MR Omni Cabin & Cockpit Door Lock

A



### DOOR THICKNESS RANGE: 12.7 - 19mm (1/2" - 3/4")

The versatile Omni combines high functionality, attractive styling, and quick installation to suit a variety of application requirements. Available in three versions; each version is constructed of all marine-grade materials, such as stainless steel and ABS plastics, and offers:

- Latch provides flush outer surface
- Nylon bumpers reduce vibration and prevent door rattle
- Privacy button option
- Optional doorkeeper holds door in open position

### Omni Spring Bolt

- Adjustable spring bolt mechanism accommodates frame variation

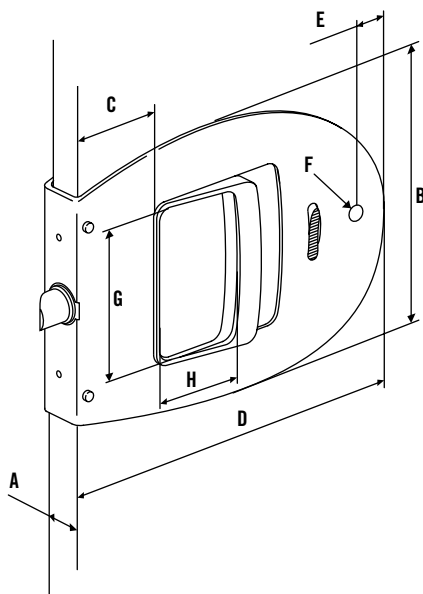
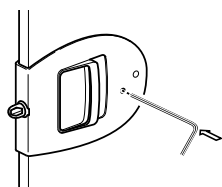
### Omni Flat

- Concealed spring bolt eliminates snag points
- Double swing action provides solution for multi-position doors

### Omni 2-step

- A flat, round, sliding deadbolt

How to override a locked Omni door lock from the outside

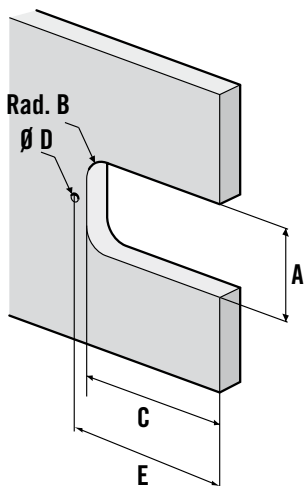


	Imperial		Metric
	Nominal	Decimal	
A	Panel Thickness		
B	3 7/32	3.21	81.5
C	1 9/64	1.14	29
D	4 9/16	4.57	116
E	3/8	.374	9.5
F	15/64	.236	6
G	1 13/16	1.81	46
H	1 1/32	1.02	26

OMNI PART NUMBERS						
	Spring bolt		Flat		2 step	
Door thickness	Privacy	No privacy	Privacy	No privacy	Privacy	No privacy
12.7 mm (1/2)	MR-01-120-24	MR-01-100-24	MR-02-120-24	MR-02-100-24	MR-03-120-24	MR-03-100-24
16 mm (5/8)	MR-01-121-24	MR-01-101-24	MR-02-121-24	MR-02-101-24	MR-03-121-24	MR-03-101-24
19 mm (3/4)	MR-01-122-24	MR-01-102-24	MR-02-122-24	MR-02-102-24	MR-03-122-24	MR-03-102-24
Features						
Privacy	X		X	-	X	-
Adjust Spring Bolt	X	X	-	-	X	X
Bumpers (both sides)	X	X	X	X	X	X
Left and Right swing	X	X	X	X	X	X

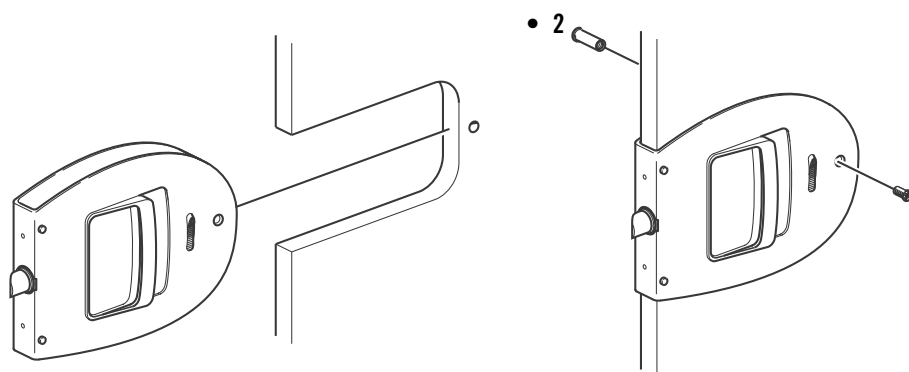
# CABIN & COCKPIT ENTRY HARDWARE

## Panel Preparation



	Imperial		Metric	
	Nominal	Decimal		
A	min.	2 3/16	2.187	55.6
	max.	2 1/4	2.27	57.9
B	min.	1/4	.25	6.4
	max.	9/16	.56	14
C	min.	3 13/16	3.813	96.8
	max.	3 7/8	3.875	98.4
D		1/4	.25	6.4
E		4 3/16	4.187	106.3

## Installation




## Options

STRIKER PART NUMBER	
OMNI Flat	MR-90-100-10


DOORKEEPER PART NUMBERS		
Type	White	Black
1	MR-91-101-70	MR-91-101-50
2	MR-91-102-70	MR-91-102-50

SPACER PART NUMBER	
OMNI 2MM THICK (5/64")	MR-92-100-60


**Privacy**



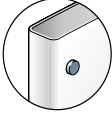
**Adjustable spring/dead bolt (Omni springbolt)**



**Adjustable spring bolt (Omni Bob)**



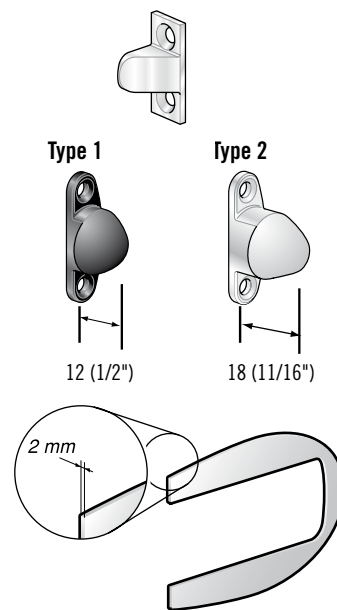
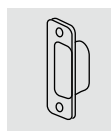
**Bumper on both sides**



[www.southco.com/MR](http://www.southco.com/MR)

Dimensions in millimeters (inch) unless otherwise stated

For strikers see page 23





# CABIN & COCKPIT ENTRY HARDWARE

## MR Omni Pocket Cabin Door Lock

A



**DOOR THICKNESS: 32mm (1-1/4") or 35mm (1-3/8")**

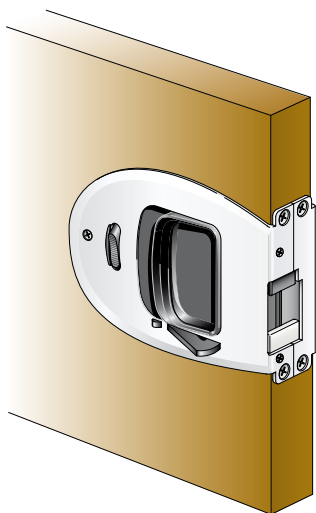
The Omni Pocket sliding-door lock is ideal for interior pocket doors and double-doors. It features an automatic latching mechanism, as well as a door-hold open feature. A hook on the forend side releases the door.

**Other features include:**

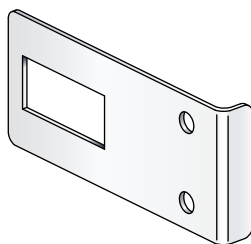
- Interior privacy button with exterior override
- Made of durable, corrosion-resistant stainless steel, ABS plastic, and aluminum
- Each assembly includes one striker and one door holder
- Only 3mm (1/8") protrusion
- Quick installation with a simple door cut-out

**Available Options:**

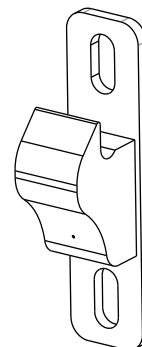
- Door Thickness: Options available for doors down to 22.2mm (7/8"). Contact Southco for details



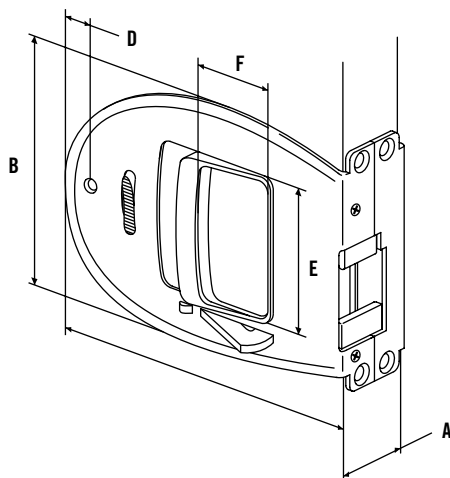
**Door holder for Omni Pocket**



**Striker for Omni Pocket**



	Imperial		Metric
	Nominal	Decimal	
<b>A</b>	Panel thickness		
<b>B</b>	3 21/32	3.661	92.5
<b>C</b>	4 11/16	4.685	119
<b>D</b>	3/8	0.375	9.5
<b>E</b>	2 5/32	2.157	55
<b>F</b>	63/64	0.984	25



OMNI POCKET PART NUMBERS		
Panel Thickness	25mm (1")	MR-06-123-24
	32mm (1 1/4")	MR-06-124-24
	35mm (1 3/8")	MR-06-125-24

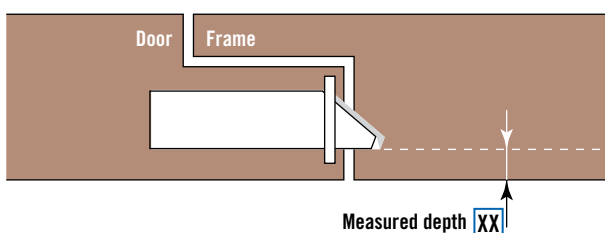
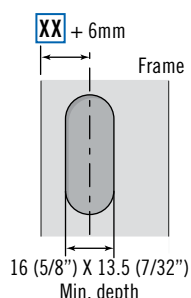
Dimensions in millimeters (inch) unless otherwise stated

# CABIN & COCKPIT ENTRY HARDWARE

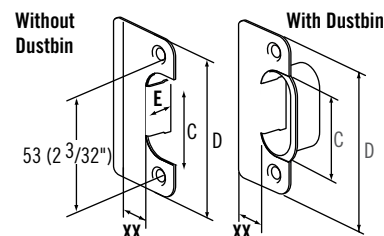
## Strikers & Accessories

### Striker

- M/S Strikers are suitable for the McCoy, Compact, Offshore and Omni swing door latches. They are available in seven different sizes and suitable for many door and frame configurations and door thicknesses
- The striker tongue holds the spring bolt and prevents it from being worn out due to vibrations from the boat
- You can choose to order the strikers with or without dustbin. The dustbin hides the sawdust in the cut out hole and provides an elegant finish to the frame edge
- The strikers are available both in brass and nickel plated brass finishes



To find the right striker for your application, measure the distance from the door face to the edge of the springbolt of the latch.



C		D		E	
Metric	Imperial	Metric	Imperial	Metric	Imperial
36	1 7/16	68	2 11/16	13	1/2

### Part Number Selection

**FF** Finish ←  
 10 Nickel  
 40 Brass

**Z** Dustbin Option ←  
 1 No Dustbin  
 2 With Dustbin

**MC - 90 - Z XX - FF**

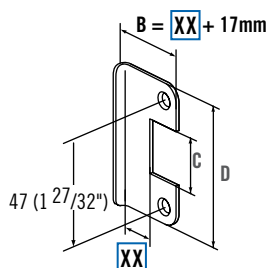
**XX** Position ←

03 3mm (7/64")	13 13mm (1/2")
05 5mm (3/16")	16 16mm (5/8")
07 7mm (1/4")	21 21mm (7/8")
09 9mm (3/8")	

### Whale Striker

- The Whale striker is suitable for the Offshore, McCoy and Compact swing door latches. It allows for a very quick and easy installation
- The striker is available both in brass and stainless steel finishes and in seven different sizes to fit a wide variety of door and frame configurations

C		D	
Metric	Imperial	Metric	Imperial
60	2 3/8	22	7/8



### Part Number Selection

**FF** Finish ←  
 10 Nickel  
 40 Brass

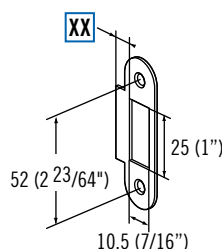
**MC - 90 - 3 XX - FF**

**XX** Position ←

03 3mm (7/64")	13 13mm (1/2")
05 5mm (3/16")	16 16mm (5/8")
07 7mm (1/4")	21 21mm (7/8")
09 9mm (3/8")	

### Submarine Striker

- The Submarine striker is suitable for the McCoy, Compact and Offshore swing door latches
- The striker is available both in brass and nickel plated brass finishes. The two different sizes of the striker tongue accommodate different door thicknesses and door and frame configurations

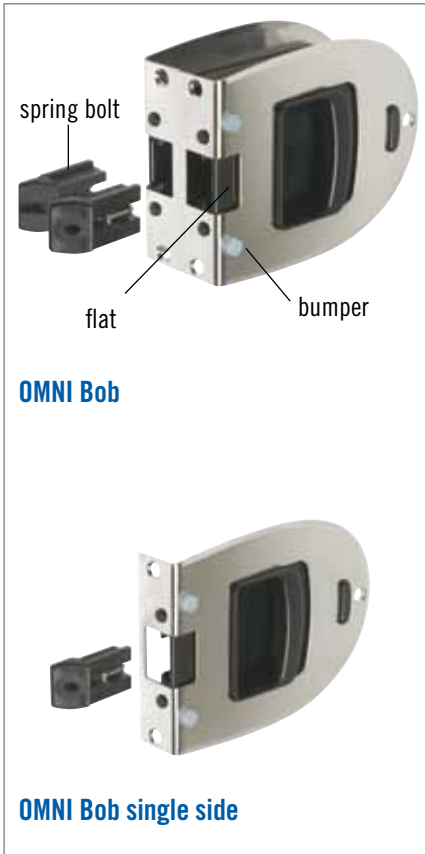


XX		Brass	Nickel plated
Metric	Imperial		
4.8	3/16	MC-9572	MC-9574
9.5	3/8	MC-9598	MC-9590

# CABIN & COCKPIT ENTRY HARDWARE

## MR Omni Bob Transom Door Latch

A

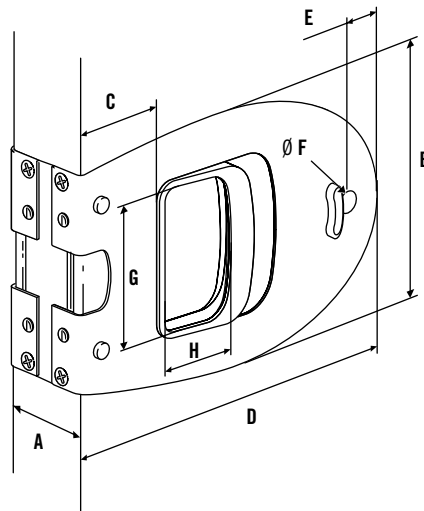


### DOOR THICKNESS RANGE: 25 - 51mm (1" - 2")

The Omni Bob is designed for thicker doors and can be used flat or with spring bolt. There is no protruding springbolt, allowing it to be installed flush to the edge of the door. The unique design latches when it comes in contact with the mating striker.

#### It also offers:

- Easily-adjustable springbolts for left- or right-swing are included for fast conversion
- Single-side version available, suitable for thicker transom doors
- Nylon bumpers reduce vibration and prevent door rattle
- Optional doorkeeper holds door in open position



	Imperial		Metric
	Nominal	Decimal	
A	Panel Thickness		
B	3 15/16	3.898	99
C	1 3/8	1.378	35
D	5 5/16	5.315	135
E	15/64	.236	6
F	15/64	.236	6
G	2 5/32	2.165	55
H	1 3/16	1.181	30

#### OMNI Bob PART NUMBERS

Door thickness range	
25 - 31 mm (1 - 1-1/4")	MR-04-106-24
30 - 36 mm (1-3/16 - 1-7/16")	MR-04-107-24
35 - 41 mm (1-3/8 - 1-5/8")	MR-04-108-24
40 - 46 mm (1-9/16 - 1-13/16")	MR-04-109-24
45 - 51 mm (1-3/4 - 2")	MR-04-1010-24

#### OMNI Bob Single PART NUMBERS

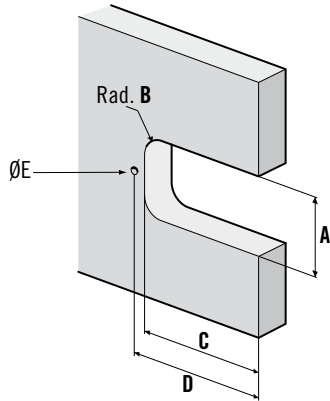
Min. Door Thickness	Door Swing	
25 mm - (1")	right out/left in	MR-05-603-24
25 mm - (1")	left out/right in	MR-05-703-24

Dimensions in millimeters (inch) unless otherwise stated

# CABIN & COCKPIT ENTRY HARDWARE

## Panel Preparations

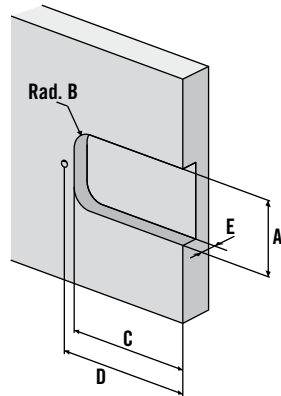
### Omni Bob



	Imperial		Metric
	Nominal	Decimal	
A	2 11/16	2.667	68
B	5/16	.315	8
C	4 11/16	4.685	119
D	5 3/64	5.039	128
E	15/64	0.236.6	6

**A**

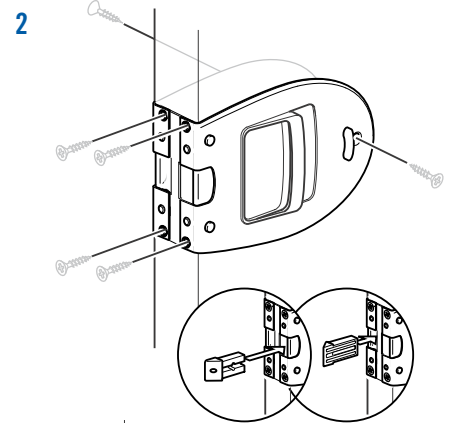
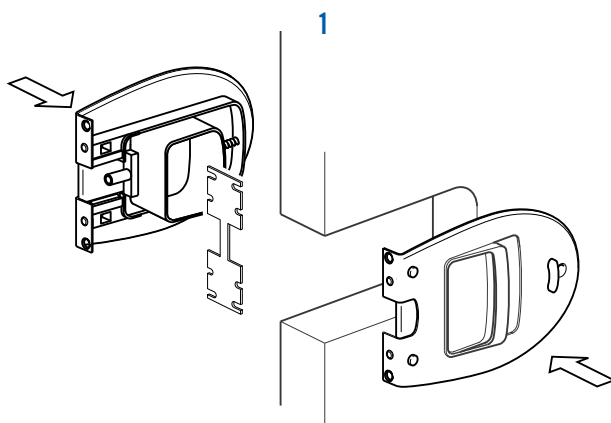
### Omni Bob single side



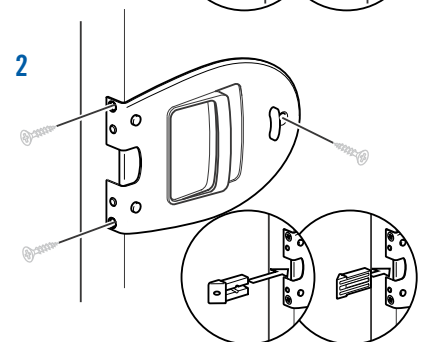
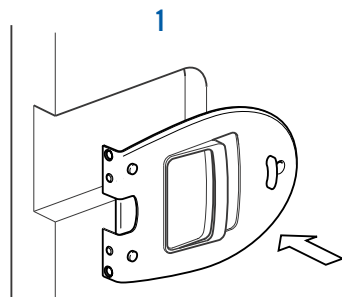
	Imperial		Metric
	Nominal	Decimal	
A	2 11/16	2.667	68
B	5/16	.315	8
C	4 11/16	4.685	119
D	5 3/64	5.039	128
E	25/32	.787	20

## Installation

### Omni Bob



### Omni Bob single side

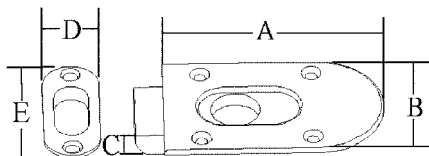


Dimensions in millimeters (inch) unless otherwise stated

# CABIN & COCKPIT ENTRY HARDWARE

## TRANSOM LATCH - SPRING BOLT

- 316 stainless steel housing with nylon slide
- Simple spring loaded slide latch well-suited for fibre glass doors
- Features an adjustable slide bolt
- Available as both single and double sided
- Screws not included



A

A 90° Rim mount



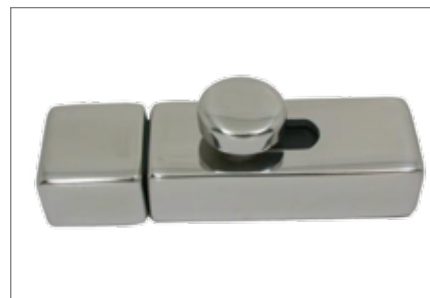
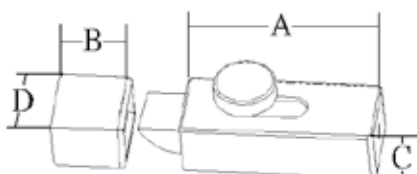
B Rim mount



	Part No.	Model	A	B	C	D	E
Latch	M5-60-302-8	Single Side	91(3 5/8")	56 (2 1/4")	9 (3/8")	X	X
	M5-60-309-8	Double Side	91(3 5/8")	56 (2 1/4")	9 (3/8")	X	X
Strikers	M5-C-301-8	A	X	X	X	22 (7/8")	56 (2 1/4")
	M5-C-304-8	B	X	X	X	22 (7/8")	70 (2 3/4")

## TRANSOM LATCH - SPRING BOLT

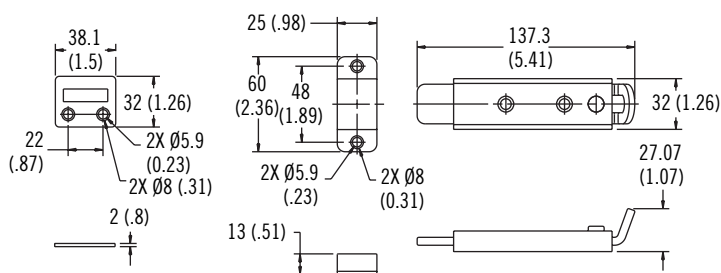
- 316 stainless steel with nylon slide
- Spring bolt can be reversed to accommodate for both left and right swing
- Flush mount striker plate included
- Mounting hardware not included



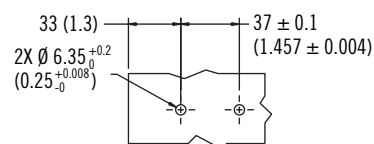
Part No	A mm	B mm	C mm	D mm
M5-60-451-8	72 (2 3/4")	27 (1 1/16")	20 (3/4")	30 (1 3/16")

## TRANSOM LATCH - SPRING BOLT

- 316 stainless steel
- Two striker options available
- Mounting hardware not included
- Heavy duty construction



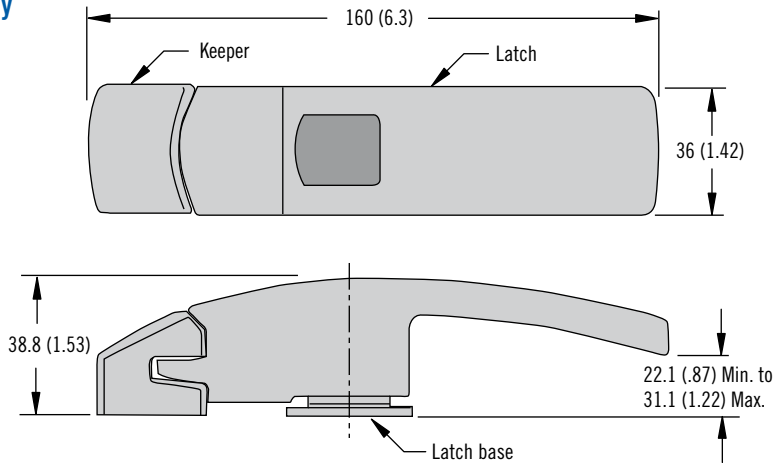
### Panel Preparation



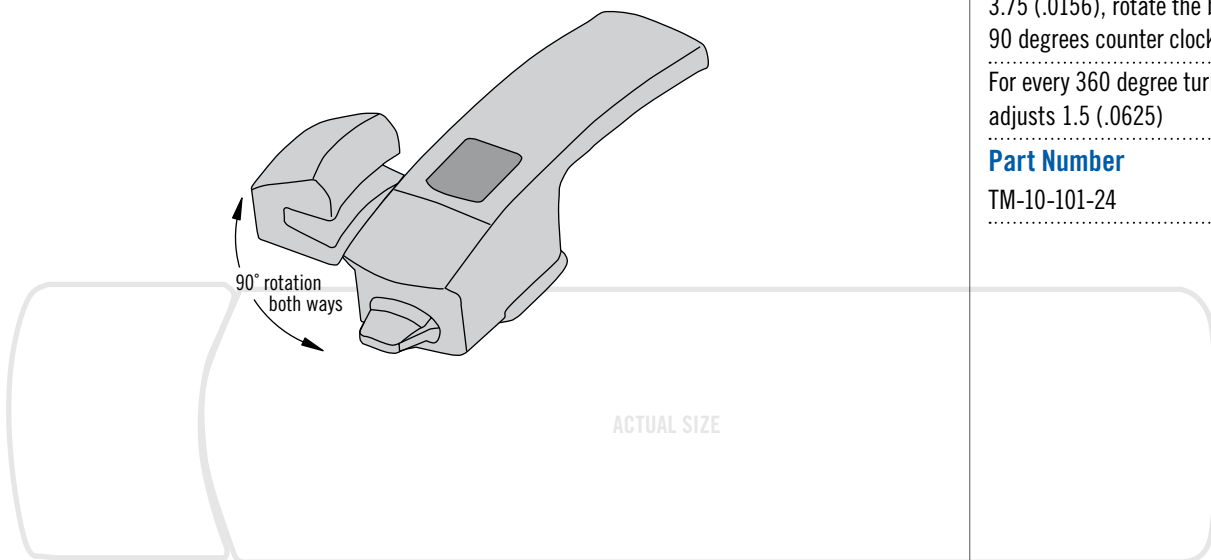
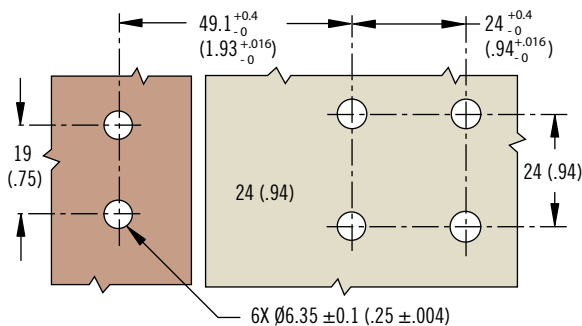
Part No	Striker
M5-60-205-8	Flat
M5-60-206-8	Standard

Dimensions in millimeters (inch) unless otherwise stated

**Assembly**



**Panel Preparation**



**B**

- Stylish latch for transom and swim platform doors
- Intuitive operation with push button and turn handle actuation
- Premium finish and corrosion resistance

**Material and Finish:**

Handle, Keeper, Base button and Sleeve: 316 grade stainless steel electropolished  
 Keeper insert: Nylon black  
 O-ring: EPDM natural  
 Screw, Spring and Nut: 304 Stainless steel passivated

**Installation Notes**

Fine tuning latch and keeper alignment:

To increase the height of the latch by 3.75mm (.0156 inch), rotate the base of latch 90 degrees clockwise

To decrease the height of the latch by 3.75 (.0156), rotate the base of latch 90 degrees counter clockwise

For every 360 degree turn, the height adjusts 1.5 (.0625)

**Part Number**

TM-10-101-24

Dimensions in millimeters (inch) unless otherwise stated