



# V7 Draw Latch

Over-center · Large · Stainless steel

- Sleek, smooth low profile design
- Locking and non-locking
- Robust, riveted, tamper-resistant construction

### Material and Finish

316 Grade stainless steel electropolished

### Performance Details

Max. working load: 1200 N (270 lbf)

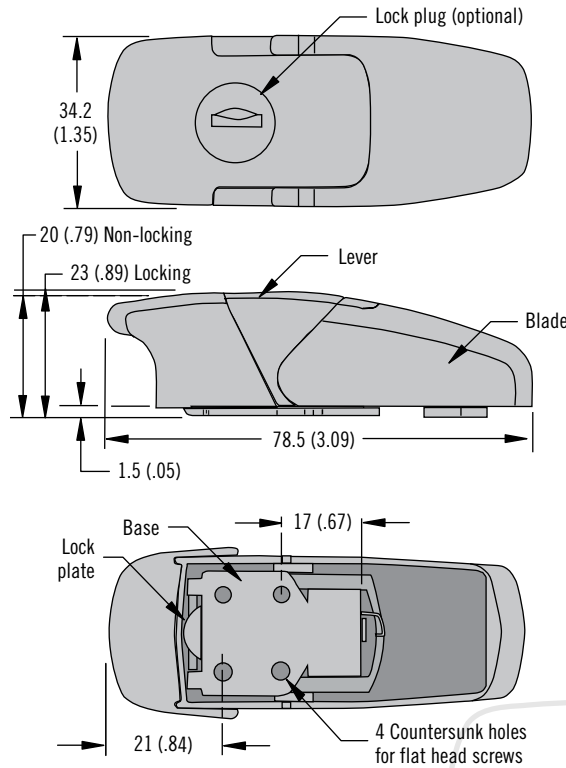
### Installation Notes

Install assembly with six M3 (No. 4) flat head screws (not supplied)

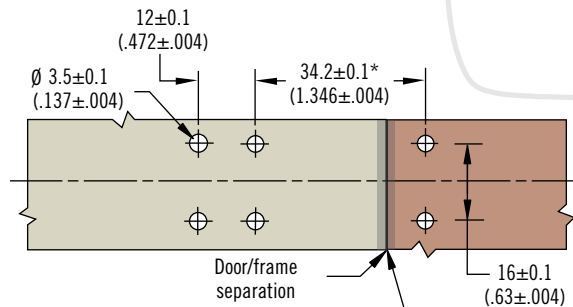
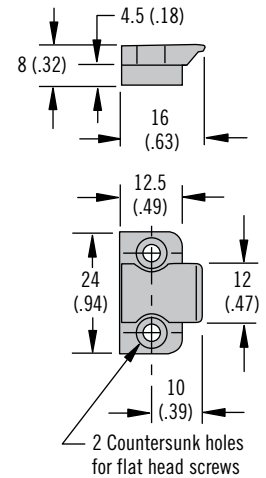
### Keys

Overmolded key S008 (pair)  
Part number: M1-525-39-S008

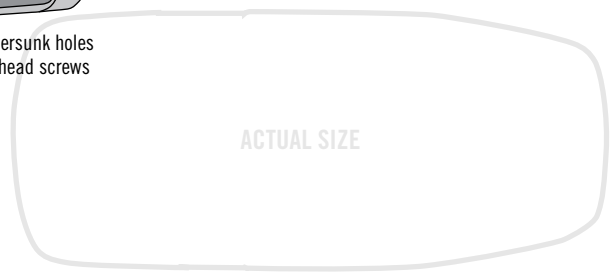
### Latch



### Keeper



\*Gasket recommended to accommodate panel variations



### Part Number

See table

Assembly complete with keeper

Description	Part Number
Non-locking	V7-20-101-24
Locking keyed alike S008 (2 keys supplied)	V7-20-111-24

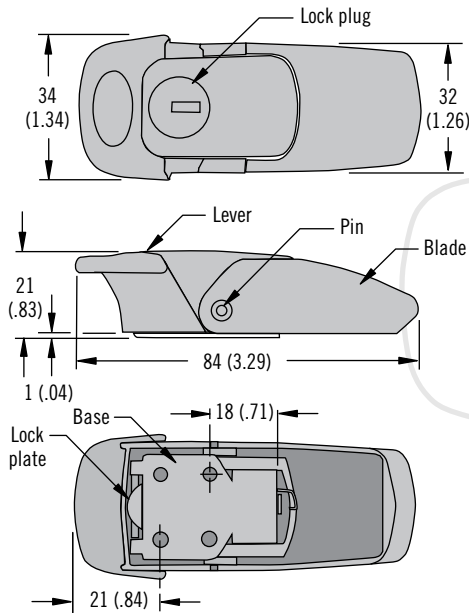


# V7 Draw Latch

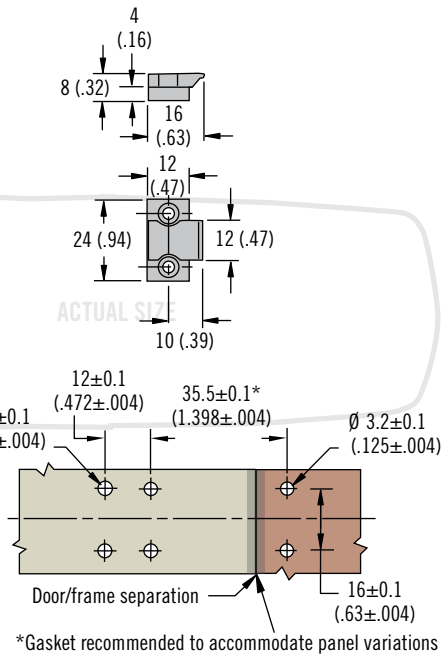
Over-center · Large and small · Zinc alloy



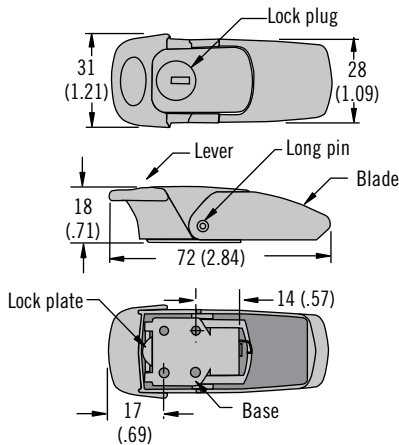
## Latch Large



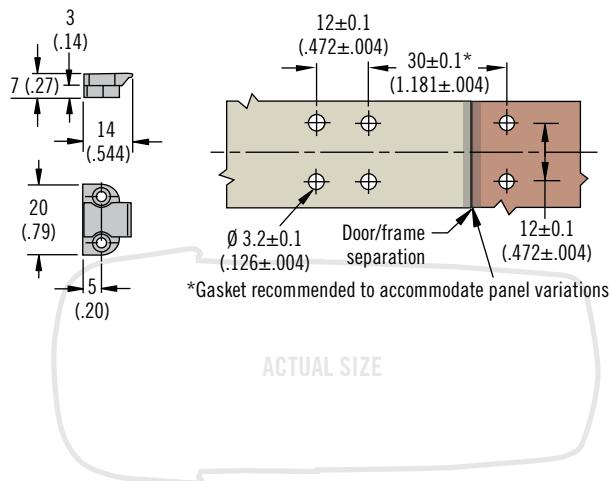
## Keeper



## Latch Small



## Keeper



- Sleek, smooth low profile design
- Locking and non-locking
- Robust, riveted, tamper-resistant construction

### Material and Finish

Zinc alloy, chrome plated or powder coated and stainless steel

### Performance Details

Max. working load:  
1200 N (270 lbf)

### Installation Notes

Install assembly with six M3 (No. 4) flat head screws (not supplied)

### Keys

Key S010 (pair)  
Part number: V7-KEYS

### B Base type

- 10 Small
- 20 Large

### F Finish

- 10 Bright chrome plated
- 20 Satin chrome plated
- 50 Black powder coated

V7 - B - 1 L - F

### L Lock style

- 01 Large non-locking
- 05 Small non-locking
- 11 Large locking keyed alike S010 (2 keys supplied)
- 15 Small locking keyed alike S010 (2 keys supplied)

### Part Number Selection

Assembly complete with keeper





# 97 Draw Latch

Over-center · Small

- Compact latch
- Multiple keeper options for application variances

### Material and Finish

Stainless steel or steel, zinc plated

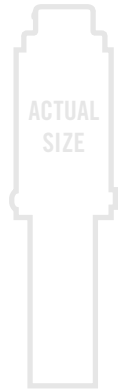
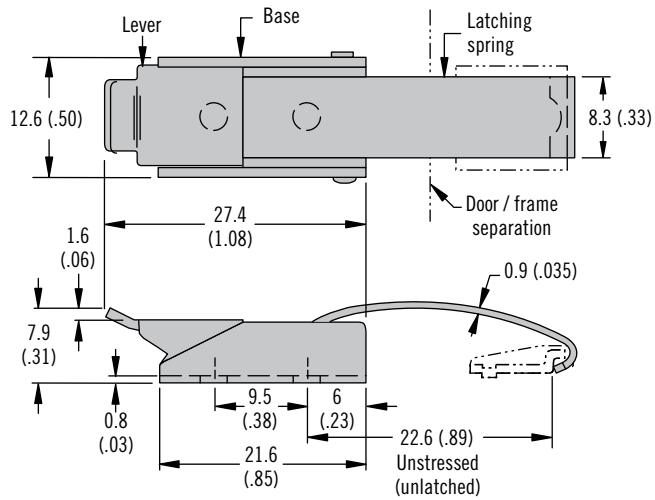
### Performance Details

Clamping force: 135 N (30 lbf)

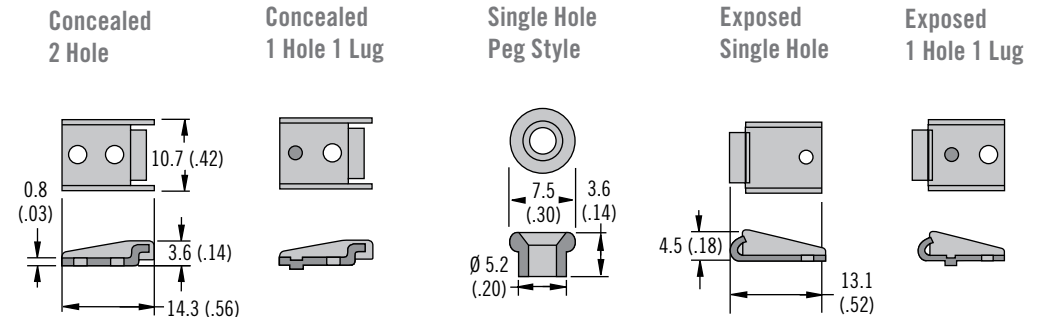
### Installation Notes

Install assembly with M3 (No. 4) round head screws or 3 (.118) rivets (not supplied)

For peg style keeper use M3 (No. 4) flat head screws or rivets



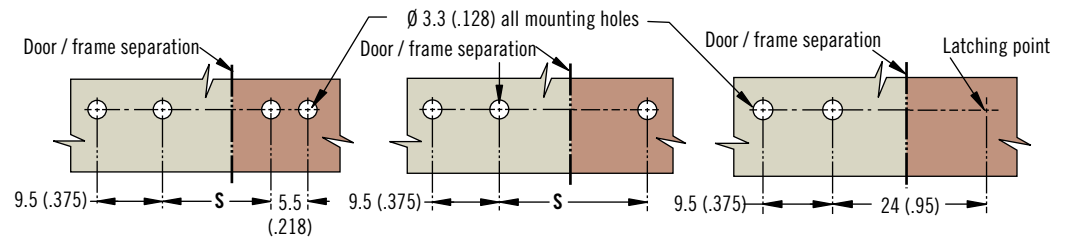
### Keepers



### Two Hole Keepers

### Single Hole Keepers

### Latch Only



### Part Number

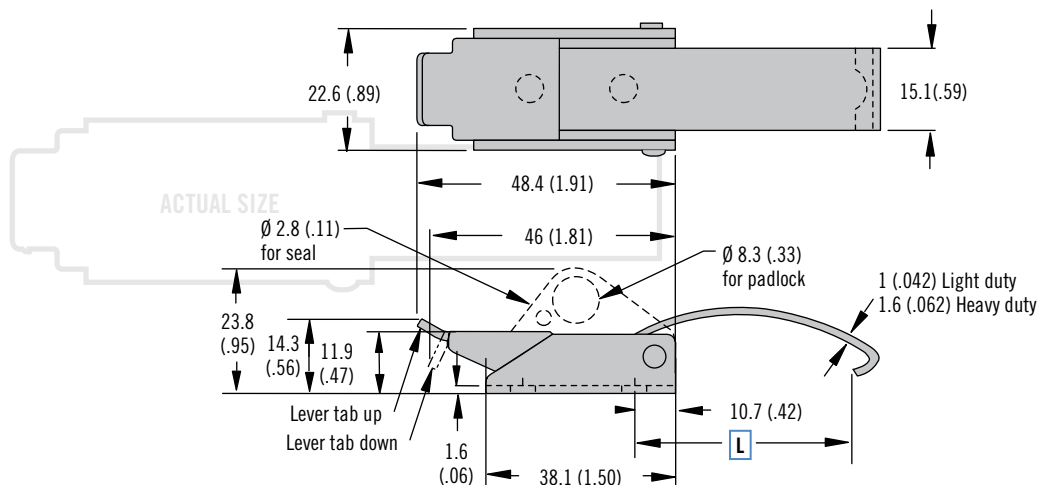
See table

Order latch and keeper separately

Material	Part Number					
	Latch	Keepers				
		Concealed 2 Hole	Concealed 1 Hole 1 Lug	Single Hole Peg Style	Exposed Single Hole	Exposed 1 Hole 1 Lug
Steel	97-30-160-11	97-37-103-11	97-37-101-11	97-37-105-11	97-37-104-11	97-37-102-11
Stainless Steel	97-30-160-12	97-37-103-24	97-37-101-24	97-37-105-24	97-37-104-24	97-37-102-24
S Dimension		14.7 (.58)	14.7 (.58)	21.8 (.86)	33 (1.30)	27.4 (1.08)

# 97 Draw Latch

## Over-center · Medium



- Multiple link and keeper options for application variances
- Secondary locking style available

### Material and Finish

Stainless steel, steel, zinc plated or steel, black powder coated

### Performance Details

Heavy-duty:  
Clamping force: 670 N (150 lbf)

Light-duty:  
Clamping force: 310 N (70 lbf)

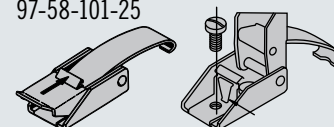
### Installation Notes

Install assembly with M4 (No. 8) round head screws or 4 (.156) rivets (not supplied). Peg needs flat head.

### Accessories

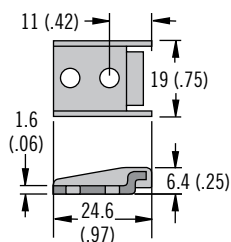
Secondary catch provides resistance against severe vibration and accidental opening.

Part number steel: 97-58-101-11  
Part number stainless steel: 97-58-101-25

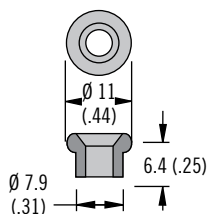


### Keepers

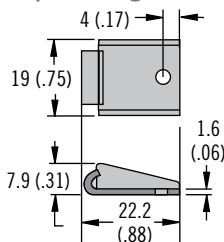
#### Concealed 2 Hole



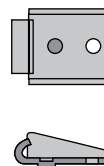
#### Single Hole Peg Style



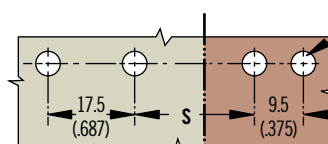
#### Exposed Single Hole



#### Exposed 1 Hole 1 Lug

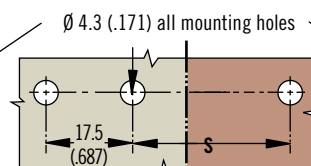


### Two Hole Keepers



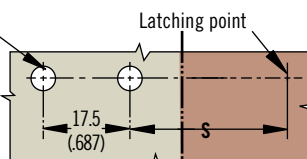
Door / frame separation

### Single Hole Keepers



Door / frame separation

### Latch Only



Door / frame separation

### S Style

- 1 Lever tab up
- 2 Lever tab down
- 3 Padlockable

### L Link Length

- |                       |                       |
|-----------------------|-----------------------|
| 1 Short (light-duty)  | 5 Short (heavy-duty)  |
| 2 Medium (light-duty) | 6 Medium (heavy-duty) |
| 3 Long (light-duty)   | 7 Long (heavy-duty)   |

### Part Number Selection

Order latch and keeper separately

For latch part number see builder

For keeper part number see table

97 - 50 - **S** **L** 0 - 1 **M**

### M Material

- 1 Steel, zinc plated
- 2 Stainless steel (light-duty only)
- 5 Steel, black powder coated

Keeper Style	Keeper Part Number		S Dimension		
	Steel	Stainless Steel	Short Link L = 29.4 (1.16)	Medium Link L = 42.1 (1.66)	Long Link L = 54.8 (2.16)
Concealed 2 hole	97-57-103-11	97-57-103-24	15.9 (.63)	28.6 (1.13)	41.3 (1.63)
Single hole peg style	97-57-105-11	97-57-105-24	29.4 (1.16)	42.1 (1.66)	54.8 (2.16)
Exposed single hole	97-57-104-11	97-57-104-24	47.6 (1.88)	60.3 (2.38)	73.0 (2.88)
Exposed 1 hole 1 lug	97-57-102-11	97-57-102-24	38.1 (1.50)	50.8 (2.00)	63.5 (2.50)
Latch only			31.8 (1.25)	44.5 (1.75)	57.1 (2.25)



# 97 Draw Latch

## Over-center · Large

- Multiple keeper options for application variances

### Material and Finish

Steel, zinc plated or steel powder coated black

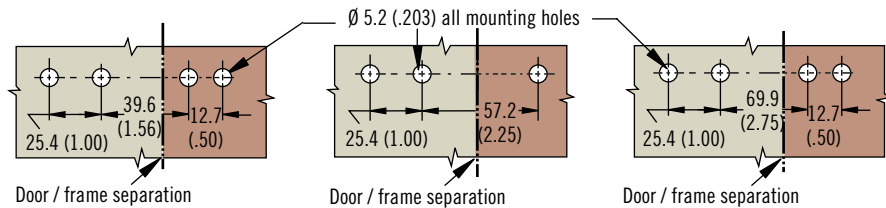
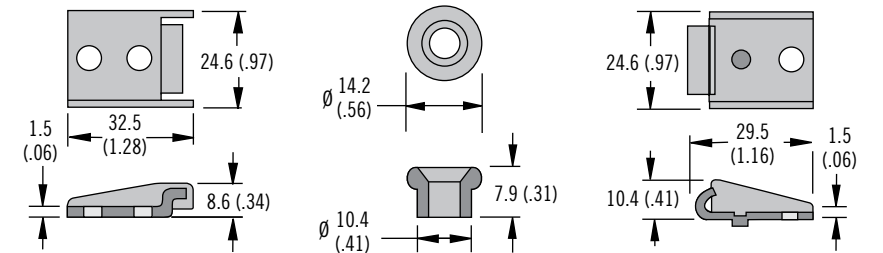
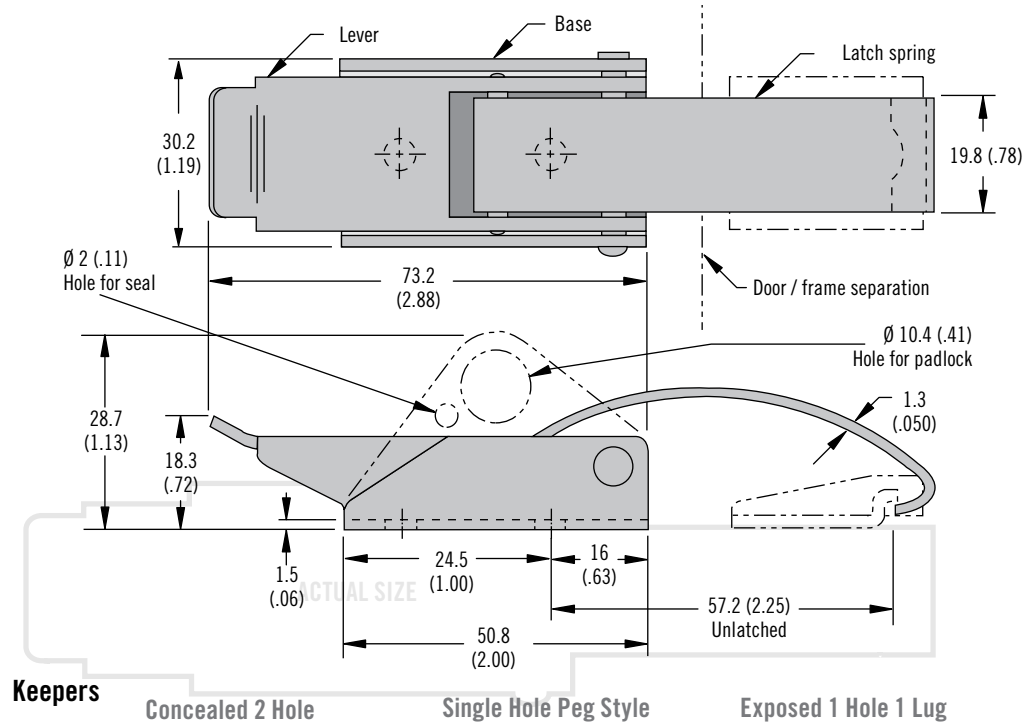
### Performance Details

Clamping force: 290 N (65 lbf)

### Installation Notes

Install assembly with M5 (No. 10) round head screws (not supplied) or 5 (3/16) rivets

For peg style keeper use M5 (No. 10) flat head screws or rivets



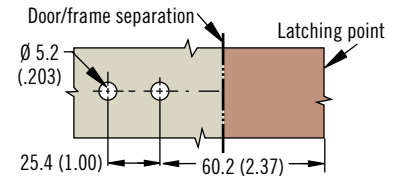
### Part Number

See table

Order latch and keeper separately

Material	Latch Part Number	
	Lever Tab Up	Padlockable
Steel, Zinc Plated	97-60-120-11	97-60-320-11
Steel, Black Powder Coated	97-60-120-15	97-60-320-15

### Latch Only

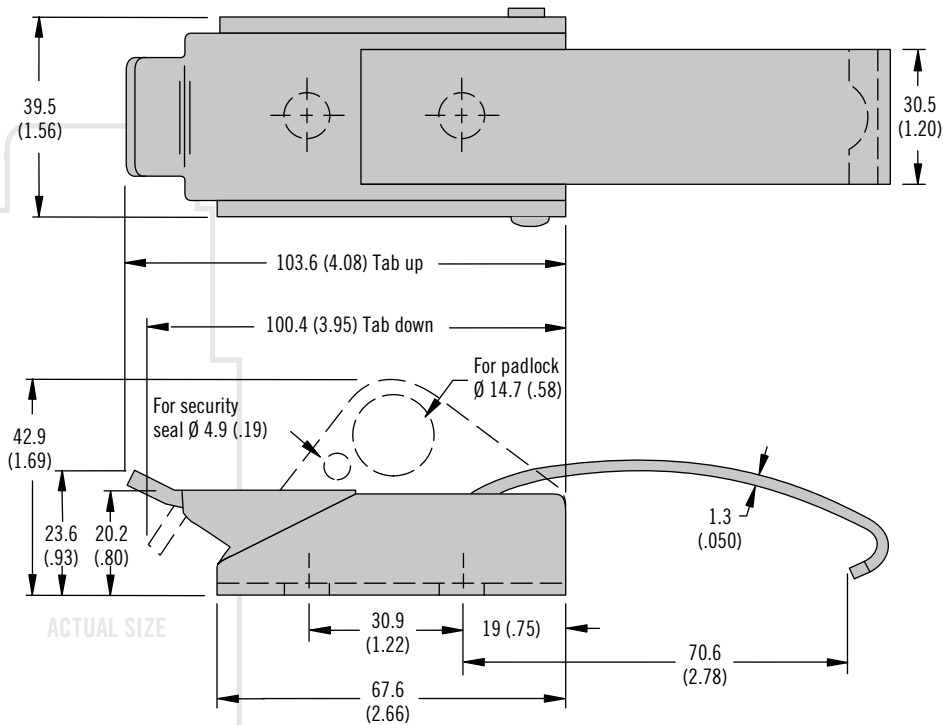


Material	Keeper Part Number		
	Concealed 2 Hole	Single Hole Peg Style	Exposed 1 Hole 1 Lug
Steel, Zinc Plated	97-67-103-11	97-67-105-11	97-67-104-11
Steel, Black Powder Coated	97-67-103-15	97-67-105-15	97-67-104-15



# 97 Draw Latch

Over-center · Extra large



- Multiple keeper options for application variances

### Material and Finish

Steel, zinc plated

### Performance Details

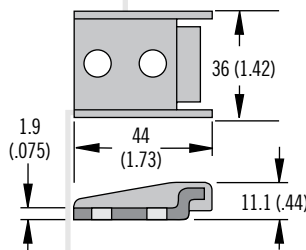
Clamping force: 645 N (145 lbf)

### Installation Notes

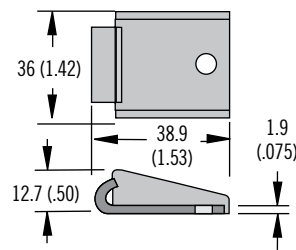
Install assembly with M6 (1/4) round head screws (not supplied) or 6 (1/4) rivets

### Keepers

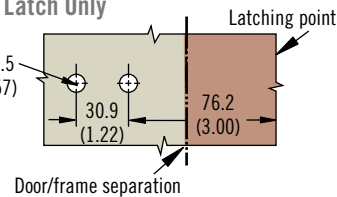
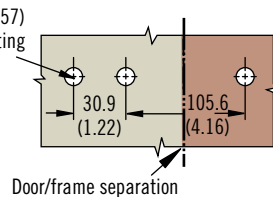
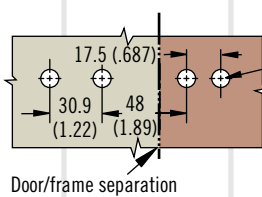
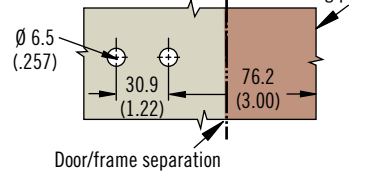
#### Concealed 2 Hole



#### Exposed Single Hole



#### Latch Only



Material	Latch Part Number		
	Lever Tab Up	Lever Tab Down	Padlockable
Steel	97-70-120-11	97-70-220-11	97-70-320-11

Material	Keeper Part Number	
	Concealed 2 Hole	Exposed Single Hole
Steel	97-77-103-11	97-77-104-11

### Part Number

See table  
Order latch and keeper separately



# V2 Draw Latch

## Over-center · Small

- Torsion spring to accommodate application variances

### Material and Finish

Stainless steel or steel, zinc plated

### Performance Details

Steel

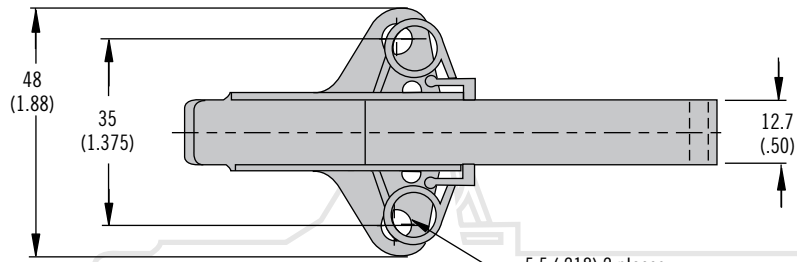
Clamping force:  
330 N (75 lbf) Min.  
700 N (160 lbf) Max.

Stainless Steel

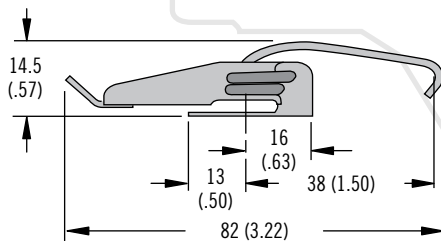
Clamping force:  
260 N (60 lbf) Min.  
530 N (120 lbf) Max.

### Notes

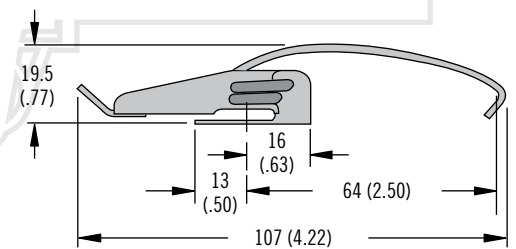
Spring loaded anchor plate compensates up to 2.3 (0.09) for irregularities in sealing and gasket set



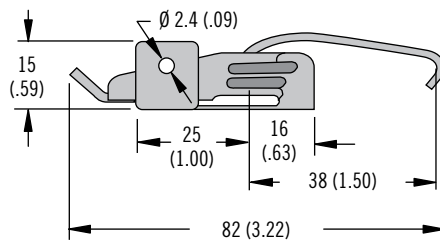
### Short Blade



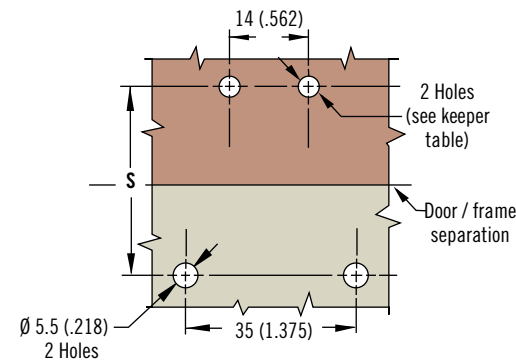
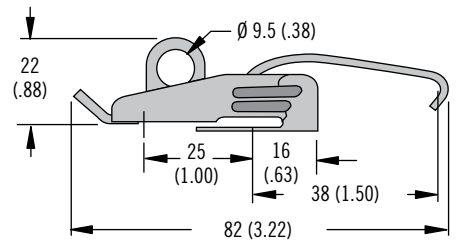
### Long Blade



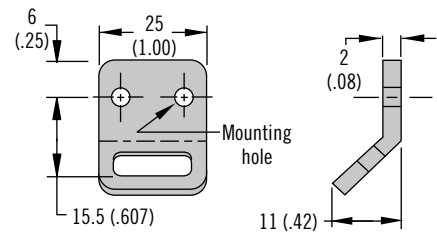
### Wire Sealing



### Padlockable



### Keeper



### Part Number

See table

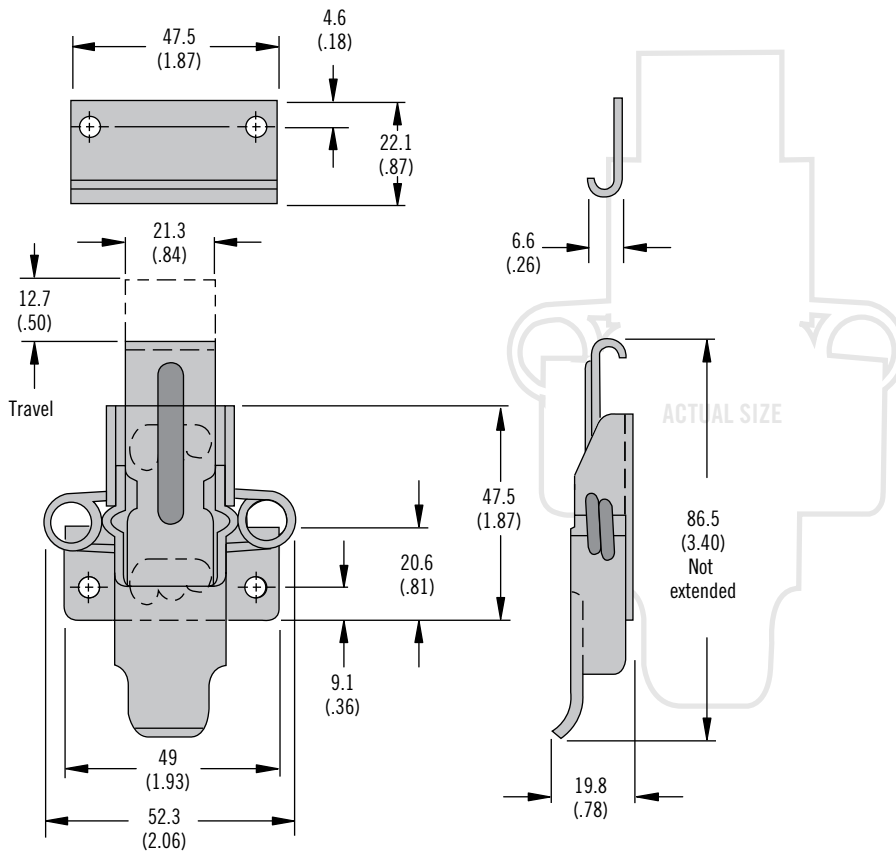
Order latch and keeper separately

Description	Style	S Dimension		Part Number	
		Min.	Max.	Steel	Stainless Steel
Latch	Short blade	55 (2.17)	57.3 (2.26)	V2-0025-07	V2-0025-52
	Long blade	80.7 (3.17)	83 (3.26)	V2-0068-07	~
	Wire sealing	55 (2.17)	57.3 (2.26)	V2-0034-07	V2-0034-52
	Padlockable	55 (2.17)	57.3 (2.26)	V2-0026-07	V2-0026-52
Keeper	3.4 (.135) mounting holes			V2-0018-07	V2-0018-52
	5.5 (.218) mounting holes			V2-0054-07	V2-0054-52



# V4 Draw Latch

## Over-center · Large



- Torsion spring to accommodate application variances

### Material and Finish

Stainless steel or steel, zinc plated

### Performance Details

Steel

Average ultimate load:  
3500 N (786 lbf)

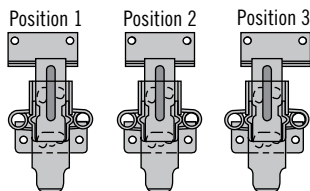
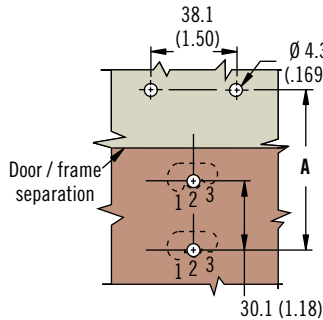
Stainless Steel

Average ultimate load:  
3800 N (850 lbf)

### Notes

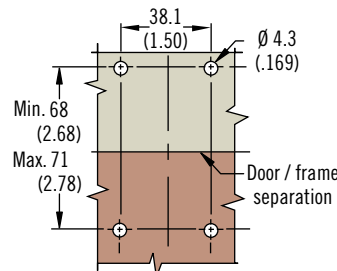
Spring loaded anchor plate compensates up to 2.3 (0.09) for irregularities in sealing and gasket set

### Adjustable Installation



Position Number	Dimensions A	
	Min.	Max.
1	71.4 (2.81)	73.7 (2.90)
2	69.9 (2.75)	72.1 (2.84)
3	68 (2.68)	70.6 (2.78)

### Fixed Installation



Description	Part Number	
	Steel	Stainless Steel
Latch	V4-0006-02	V4-0006-52
Keeper	V4-0009-02	V4-0009-52

### Part Number

See table

Order latch and keeper separately





# TL Draw Latch

Over-center · Small · Wire bail

- Compact latch
- Multiple link options for application variances

### Material and Finish

Stainless steel, steel, zinc plated or steel, black E-coat

### Performance Details

Steel working load:

Compact heavy-duty:

1290 N (290 lbf)

Compact: 220 N (45 lbf)

Stainless steel working load:

Compact heavy-duty:

800 N (180 lbf)

Compact: 220 N (45 lbf)

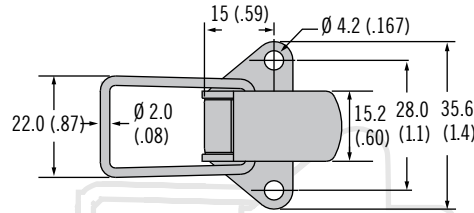
### Installation Notes

Install assembly with M4 (No. 6) round head screws (not supplied) or 4 (.156) rivets

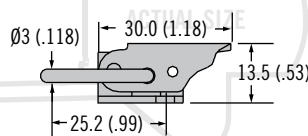
### Notes

Order keepers separately, see page 210

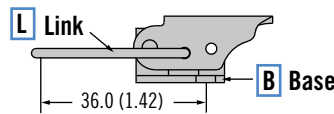
### Exposed Mounting Holes



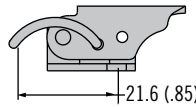
### Heavy-Duty



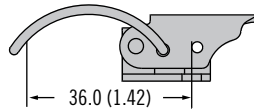
### Flat Wire Link



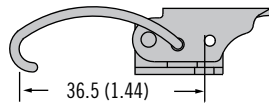
### Short Curved Wire Link



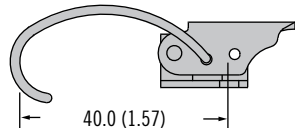
### Long Curved Wire Link



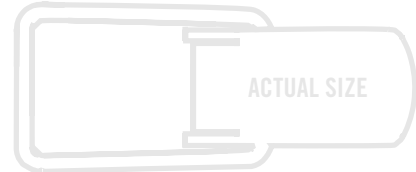
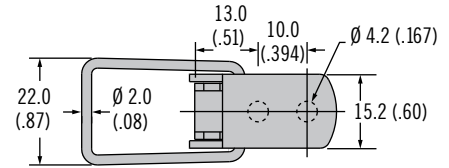
### Shallow Hook Link



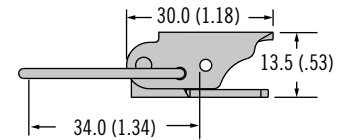
### Deep Hook Link



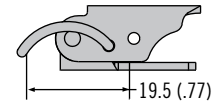
### Concealed Mounting Holes



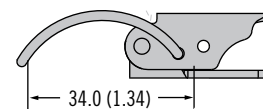
### Flat Wire Link



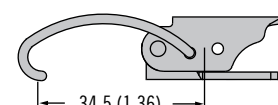
### Short Curved Wire Link



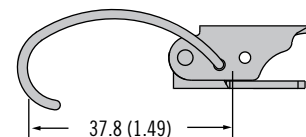
### Long Curved Wire Link



### Shallow Hook Link



### Deep Hook Link



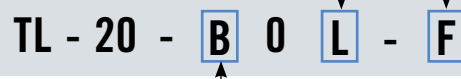
### Part Number Selection

Latch only

See page 210 for keepers

#### L Link style

- 1 Flat
- 2 Short curved
- 3 Long curved
- 4 Shallow hook
- 5 Deep hook
- 6 Heavy-duty (Steel & 300 stainless steel model only)



#### B Base type

- 1 Exposed
- 2 Concealed

#### F Finish

- 07 Steel, zinc plated
- 13 Black E-coat
- 24 316 stainless steel electropolished
- 52 300 stainless steel passivated

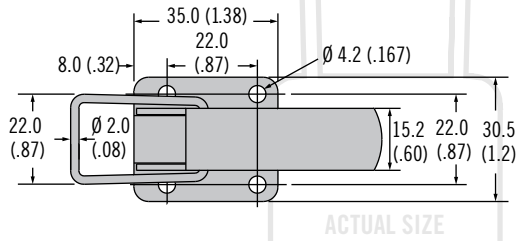


# TL Draw Latch

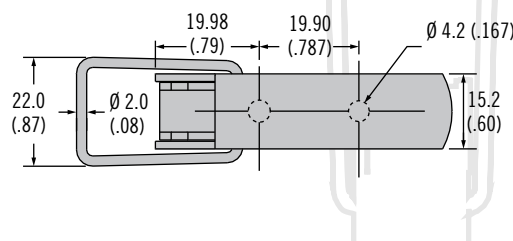
Over-center · Medium · Wire bail



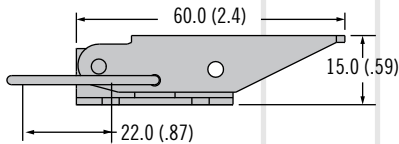
## Exposed Mounting Holes



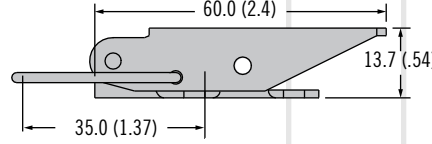
## Concealed Mounting Holes



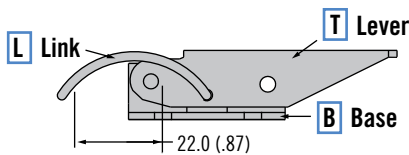
## Flat Wire Link



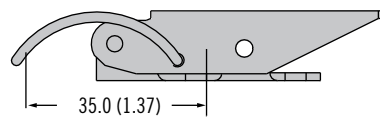
## Flat Wire Link



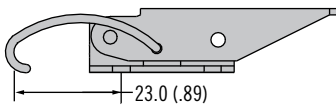
## Curved Wire Link



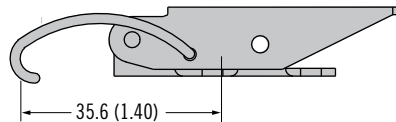
## Curved Wire Link



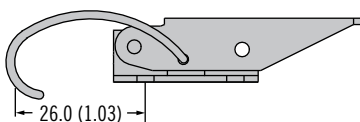
## Shallow Hook Link



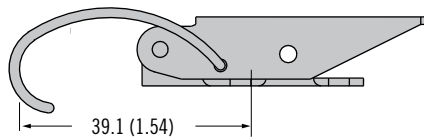
## Shallow Hook Link



## Deep Hook Link



## Deep Hook Link



- Multiple link options for application variances
- Secondary locking style available

## Material and Finish

Stainless steel or steel, zinc plated or steel, black E-coat

## Performance Details

Steel:

Working load: 220 N (45 lbf)

Stainless Steel:

Working load: 220 N (45 lbf)

## Installation Notes

Install assembly with M4 (No. 6) round head screws (not supplied) or 4 (.156) rivets

## Notes

Order keepers separately, see page 210

## L Link style

- 1 Flat
- 3 Short curved
- 4 Shallow hook
- 5 Deep hook

## F Finish

- 07 Steel, zinc plated
- 13 Black E-coat
- 24 316 Stainless steel electropolished
- 52 300 Stainless steel passivated

TL - 40 - B T L - F

## B Base type

- 1 Exposed
- 2 Concealed

## T Lever type

- 0 Standard
- 1 Secondary catch (Steel & 300 Stainless steel model only) (Exposed base only)
- 2 Padlockable (Steel model only) (Concealed base only)

## Part Number Selection

Latch only

See page 210 for keepers





# TL Keeper

- Multiple keeper options for application variances
- Suitable for all TL-20 and TL-40 latches

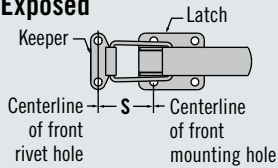
### Material and Finish

Stainless steel, steel, zinc plated or steel, black E-coat

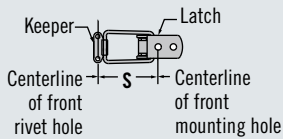
### Installation Notes

Install assembly with M4 (No. 6) round head screws (not supplied) or 4 (.156) rivets

### Exposed



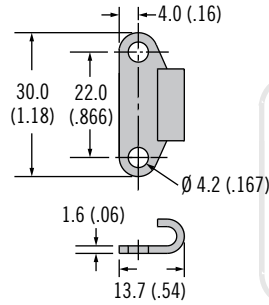
### Concealed



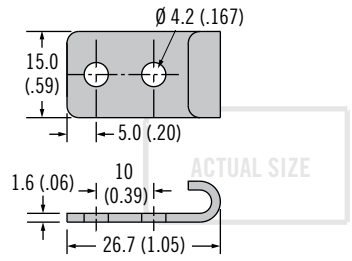
### Part Number Selection

1. Select your latch choice in the draw latch column
2. Select your keeper style in the keeper style row
3. Where the column and row meet use the figure for your install S dimension

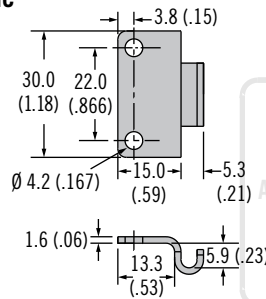
### Small



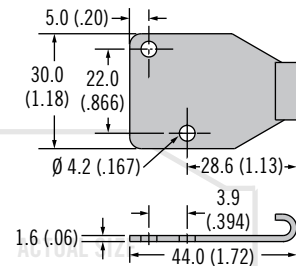
### Narrow



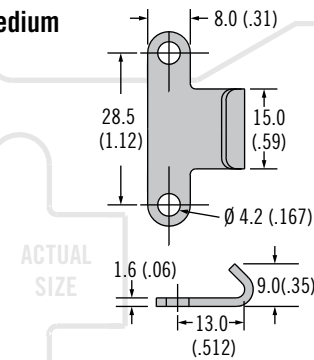
### Right Angle



### Large



### Medium



Contact Southco for assistance in determining the "S" dimension.

- B** Base type
- 1 Small
  - 2 Narrow
  - 3 Right angle
  - 5 Large
  - 9 Medium

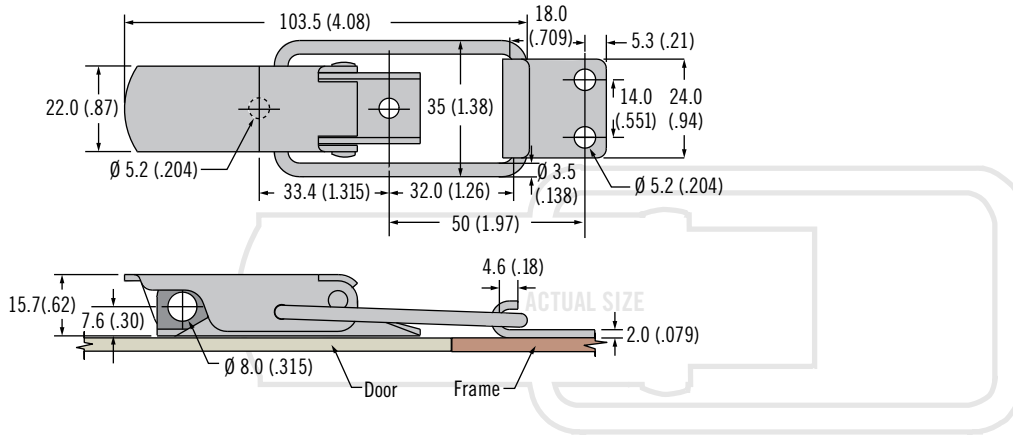
- F** Finish
- 07 Steel, zinc plated
  - 13 Black E-coat
  - 24 316 stainless steel electropolished
  - 52 300 stainless steel passivated

TL - 17 - 20 **B** - **F**

Keeper Style	Small	Narrow	Large	Medium
	TL-17-201-F	TL-17-202-F	TL-17-205-F	TL-17-209-F
<b>Draw Latch</b>	<b>S Dimension</b>			
TL-20-101	44.7 (1.76)	46.7 (1.84)	62.0 (2.44)	49.0 (1.93)
TL-20-102	30.3 (1.19)	32.3 (1.27)	47.6 (1.87)	34.6 (1.36)
TL-20-103	44.7 (1.76)	46.7 (1.84)	62.0 (2.44)	49.0 (1.93)
TL-20-106	33.9 (1.33)	35.9 (1.41)	51.2 (2.02)	38.2 (1.50)
TL-20-201	41.7 (1.64)	43.7 (1.72)	59.0 (2.32)	46.0 (1.81)
TL-20-202	28.2 (1.11)	30.2 (1.19)	45.5 (1.79)	32.5 (1.28)
TL-20-203	41.7 (1.64)	43.7 (1.72)	59.0 (2.32)	46.0 (1.81)
TL-40-101	30.7 (1.21)	32.7 (1.29)	48.0 (1.89)	35.0 (1.38)
TL-40-103	30.7 (1.21)	32.7 (1.29)	48.0 (1.89)	35.0 (1.38)
TL-40-201	43.7 (1.72)	45.7 (1.80)	61.0 (2.40)	48.0 (1.89)
TL-40-203	43.7 (1.72)	45.7 (1.80)	61.0 (2.40)	48.0 (1.89)

# TL Draw Latch

Over-center · Large · Wire bail



Description	Part Number	
	Steel	Stainless Steel
Latch	TL-50-201-07	TL-50-201-52
Keeper	TL-17-501-07	TL-17-501-52

• Robust construction

**Material and Finish**

Stainless steel or steel, zinc plated

**Performance Details**

Working load: 2490 N (560 lbf)

**Installation Notes**

Install assembly with M5 (No. 10) round head screws (not supplied) or 5 (.196) rivets.

**Part Number**

See table

Order latch and keeper separately

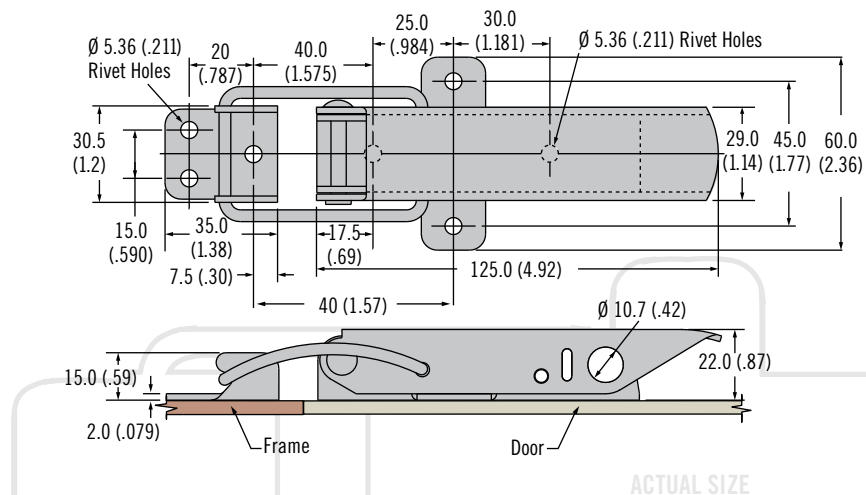
Other options available. For complete details on variety, part numbers, installation and specification, go to

[www.southco.com/TL](http://www.southco.com/TL)



# TL Draw Latch

Over-center · Heavy-duty · Wire bail



Description	Part Number
Draw Latch	TL-60-102-07
Keeper	TL-17-601-07

• Robust construction

**Material and Finish**

Steel, zinc plated

**Performance Details**

Working load: 2670 N (600 lbf)

**Installation Notes**

Install assembly with M5 (No. 10) round head screws (not supplied) or 5 (.196) rivets

**Part Number**

See table

Order latch and keeper separately

Other options available. For complete details on variety, part numbers, installation and specification, go to

[www.southco.com/TL](http://www.southco.com/TL)





# A1 Draw Latch

Over-center · Heavy-duty · Small and medium · Adjustable

- Hooked latching rod
- Latching arm adjusts to fit your grip range

### Material and Finish

Stainless steel or steel, zinc plated  
Grip: Vinyl yellow

### Performance Details

Latched at end of hook:

Small:

Max. static load: 1200 N (270 lbf)

Medium:

Max. static load: 1780 N (400 lbf)

Latched at center of radius:

Small:

Max. static load: 1350 N (300 lbf)

Medium:

Max. static load: 3110 N (700 lbf)

### Installation Notes

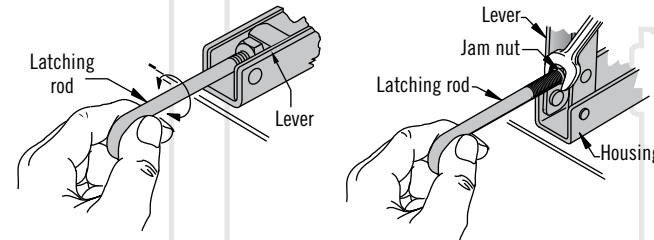
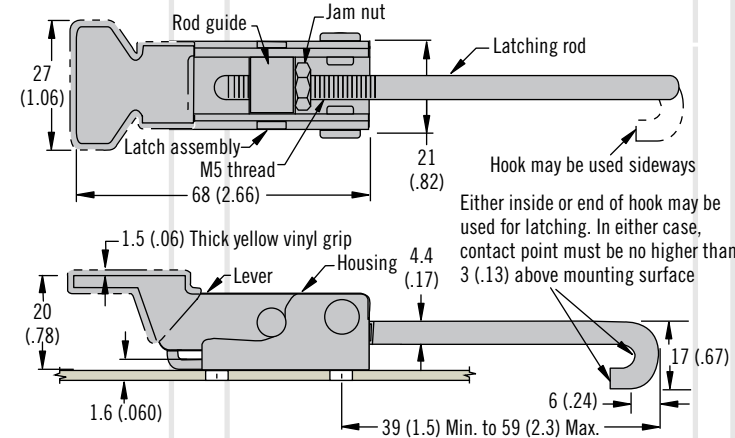
Small:

Install assembly with four M5  
(No. 10) screws or rivets

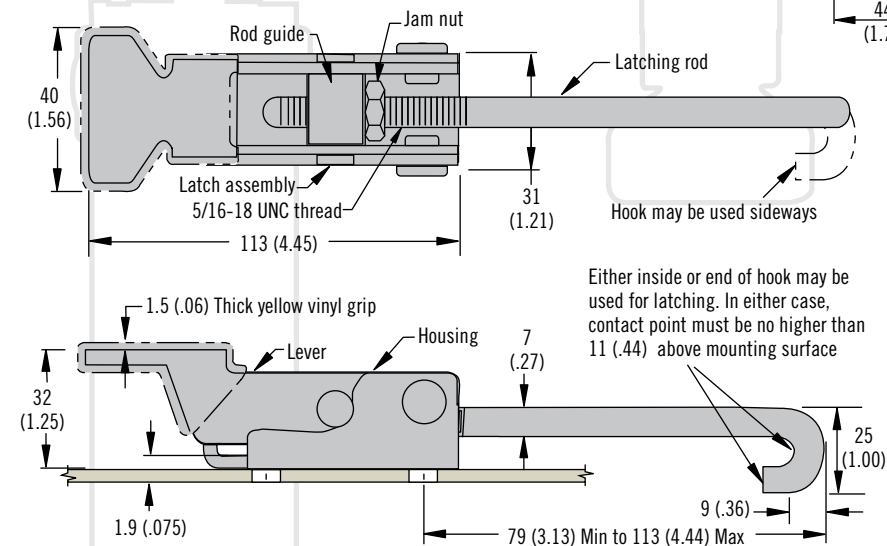
Medium:

Install assembly with four M6 (1/4)  
screws or rivets

### Small



### Medium



ACTUAL SIZE

### Part Number Selection

**B** Base type

5 Small

7 Medium

**M** Finish

10 Steel, zinc plated without yellow grip

20 Steel, zinc plated with yellow grip

40 Stainless steel without yellow grip

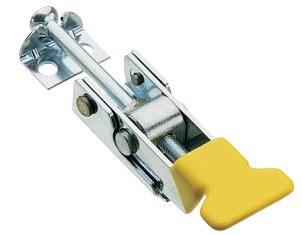
50 Stainless steel with yellow grip

A1 - 11 - **B** 02 - **M**

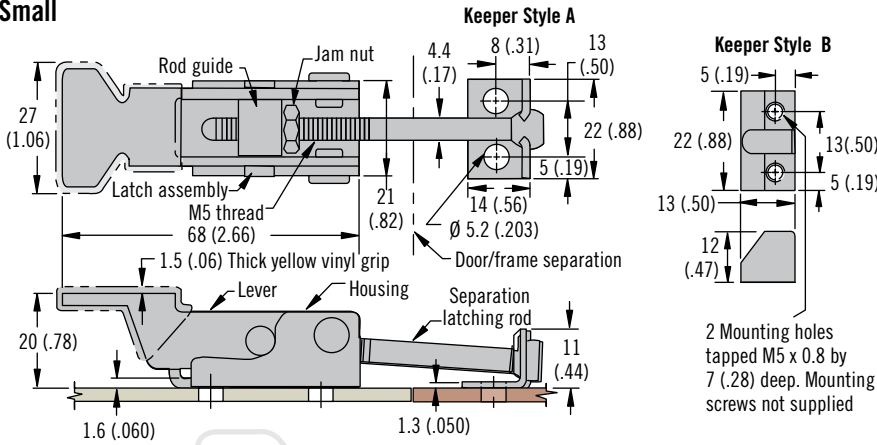


# A1 Draw Latch

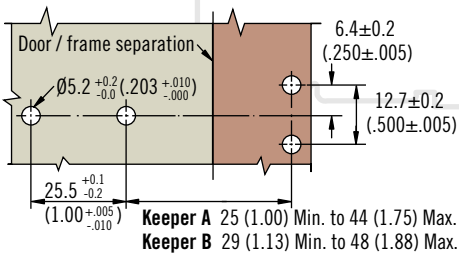
Over-center · Small and medium · Adjustable



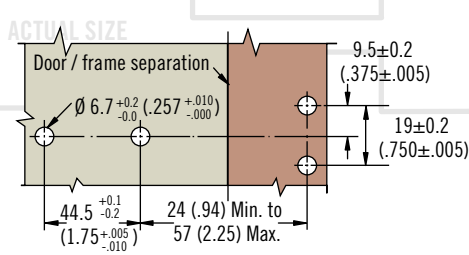
## Small



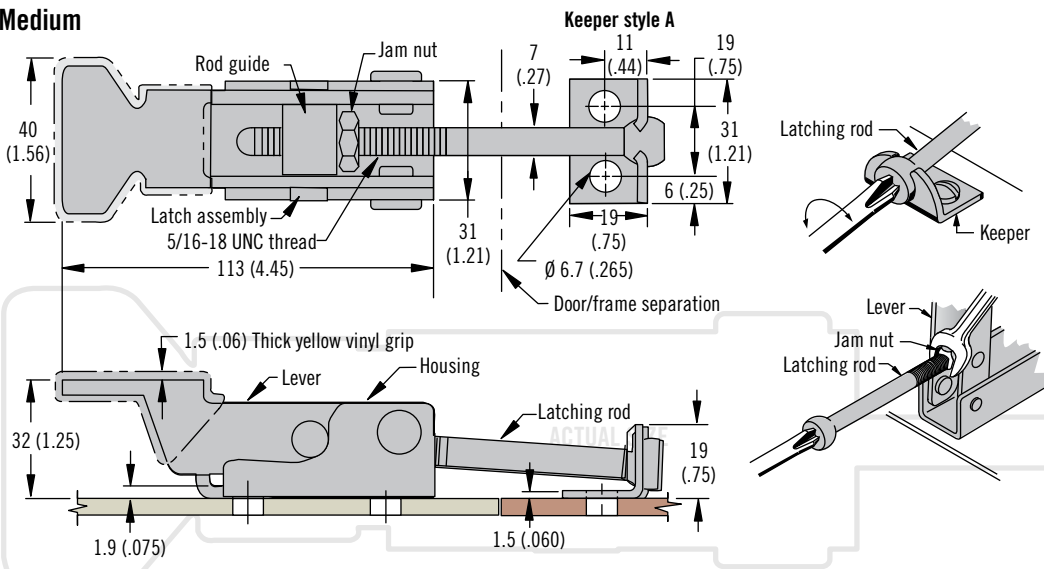
### Small Panel Preparation



### Medium Panel Preparation



## Medium



## • Adjustable grip

### Material and Finish

Stainless steel or steel, zinc plated  
Grip: Vinyl yellow

### Performance Details

Small (keeper style A):  
Max. static load: 180 N (40 lbf)  
Small (keeper style B):  
Max. static load: 1550 N (350 lbf)  
Medium (keeper style A):  
Max. static load: 890 N (200 lbf)

### Installation Notes

Small:  
Install assembly with four M5 (No. 10) round head screws or rivets  
Medium:  
Install assembly with four M6 (1/4) round head screws or rivets

### Part Number Selection

Assembly complete with keeper

**A1 - 10 - B 0 K - M**

#### B Base type

- 5 Small
- 7 Medium

#### K Keeper style

- 1 Type A
- 3 Type B (Small steel zinc plated models only)

#### M Finish

- 10 Steel, zinc plated without yellow grip
- 20 Steel, zinc plated with yellow grip
- 40 Stainless steel without yellow grip
- 50 Stainless steel with yellow grip





# A1 Draw Latch

Over-center · Heavy-duty · Adjustable

- Robust construction
- Adjustable grip

### Material and Finish

Steel, zinc plated or black powder coated

### Performance Details

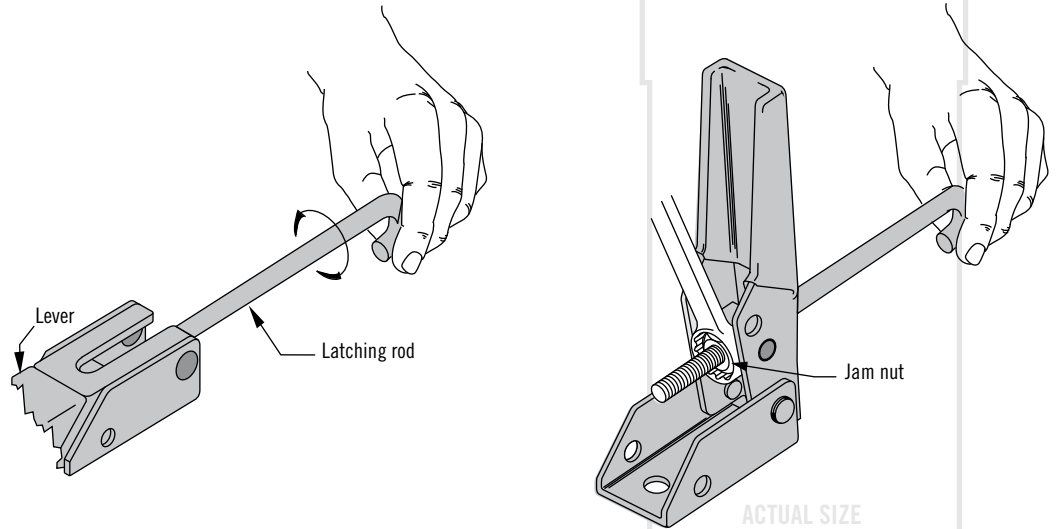
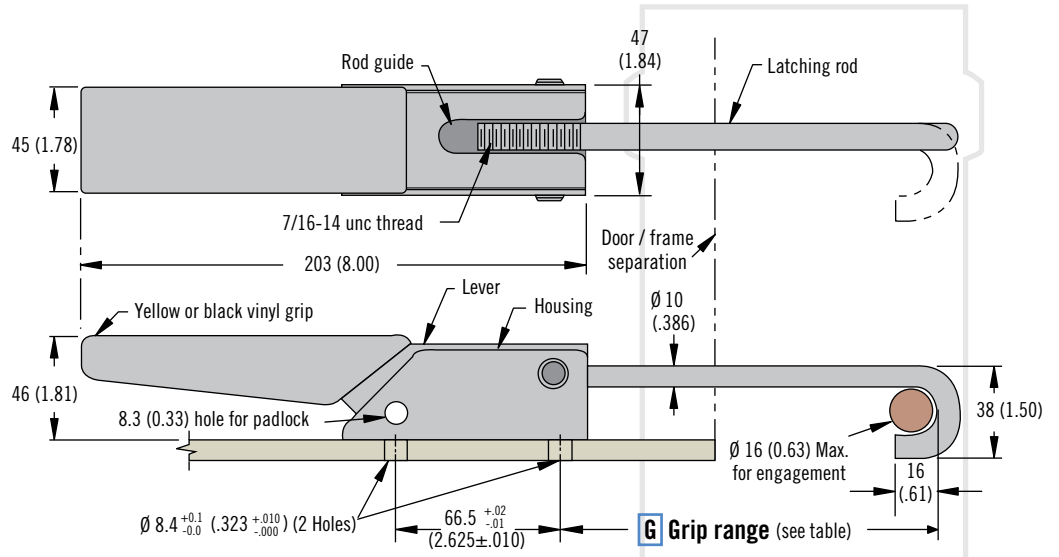
Latched at end of hook:  
Max. static load: 2225 N (500 lbf)

Latched at center of radius:  
Max. static load: 4450 N (1000 lbf)

### Installation Notes

Install assembly with two M8 (5/16) bolts (not supplied)

Hook may be used sideways. Either inside or end of hook may be used for latching. In either case, contact point must be no higher than 25 (1.00) above mounting surface



### Part Number

See table

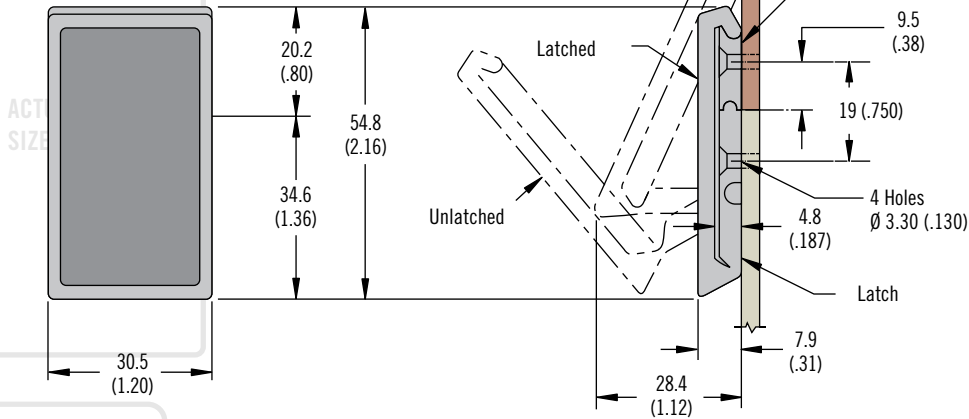
G Grip Range		Part Number	
Min.	Max.	Bright latch with yellow vinyl grip	Black latch with black vinyl grip
89 (3.50)	114 (4.50)	A1-11-902-20	A1-11-902-31

# 07 Draw Latch

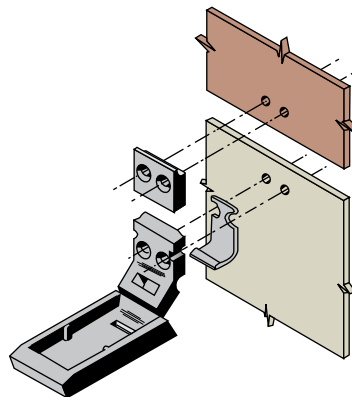
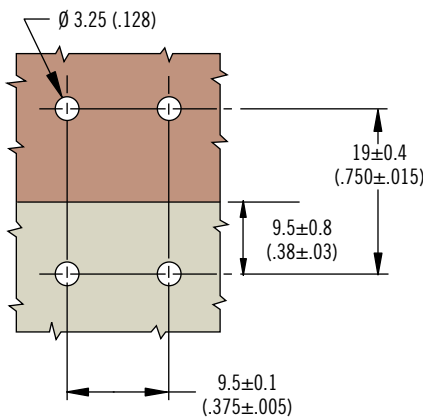
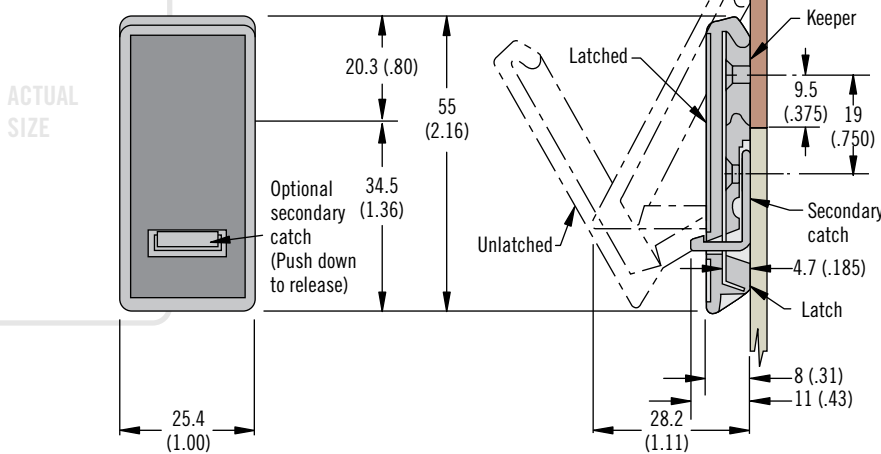
Over-center · Living hinge



## Standard Style



## Secondary Catch Style



- Low profile one piece molded latch
- Concealed mounting
- Secondary catch option to prevent accidental opening

### Material and Finish

Polypropylene black or white  
Secondary catch: acetal black or red

### Performance Details

Max. working load:  
Standard: 445 N (100 lbf)  
Secondary catch: 310 N (70 lbf)  
Operating temperature range:  
0°C (32°F) to 65°C (150°F)  
Flammability rating: UL94-HB

### Installation Notes

Install assembly with four Ø 3 (.125) flat head rivets or M3 (No. 4) flat head screws (not supplied)

### B Base type

- 2 Standard
- 5 Secondary catch

### F Finish

- 11 White (standard only)
- 12 Black (standard only)
- 70 Black with red secondary catch
- 72 Black with black secondary catch

07 - 10 - **B** 01 - **F**

### Part Number Selection

Assembly complete with keeper







## E8 Draw Latch

Over-center · Adjustable

- Adjustable grip
- Concealed mounting

### Material and Finish

Acetal black and glass reinforced nylon, black

Adjusting nut: Stainless steel

### Performance Details

Max. working load: 1560 N (350 lbf)

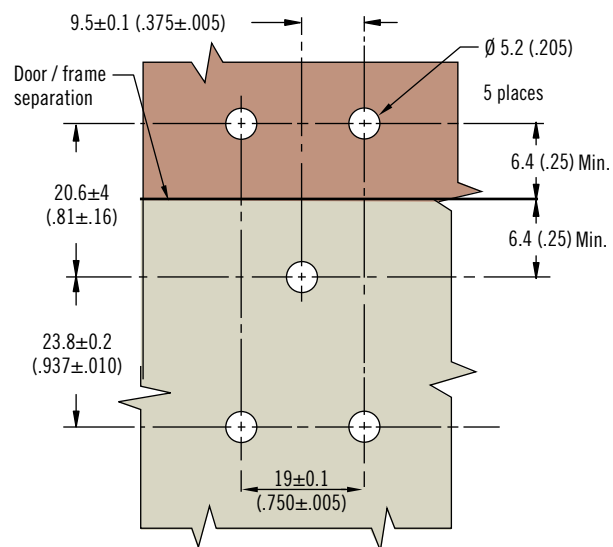
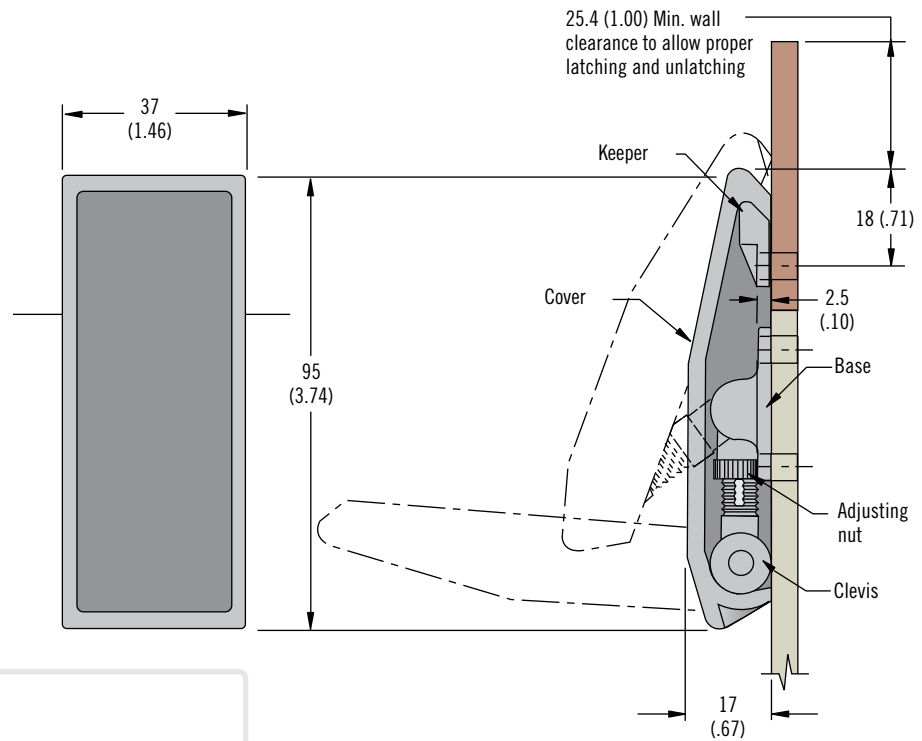
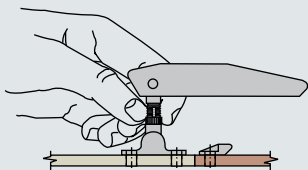
Operating temperature range:  
-29°C (-20°F) to 80°C (176°F)

Flammability rating: UL94-HB

### Installation Notes

Install assembly with five  $\varnothing 5$  (.197) rivets or M5 (No. 10) screws (not supplied)

To adjust latching force, thread adjustment nut up or down clevis (total 7.9 (.31) range)



### Part Number

See table

Assembly complete with keeper

### Part Number

E8-10-502-20

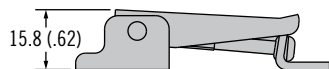
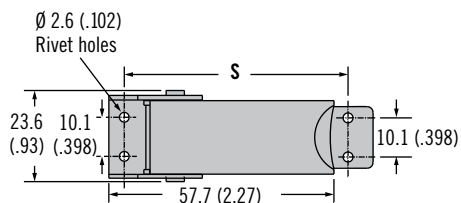
# 91 Draw Latch

Under-center · Small · Adjustable



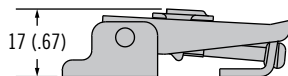
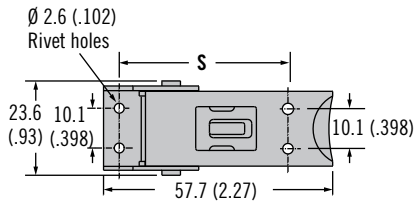
## Latch

### Standard



Latch shown with 91-630-XX keeper

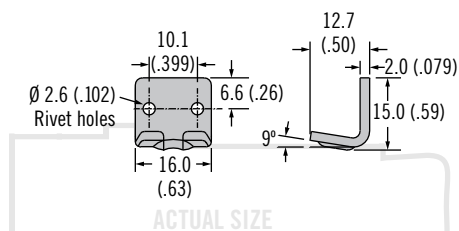
### Secondary Catch



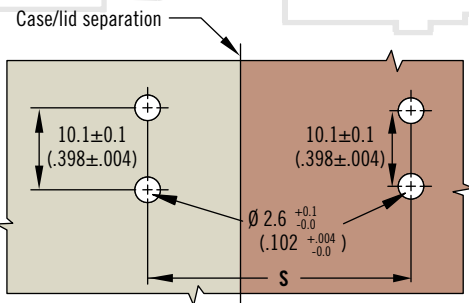
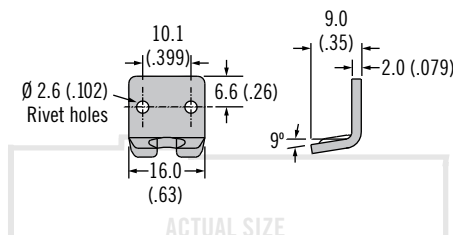
Latch shown with 91-634-XX keeper

## Keeper

### Exposed



### Concealed



- Adjustable grip
- Secondary catch option to prevent accidental opening

### Material and Finish

Stainless steel or steel, zinc plated

### Performance Details

Max. working load

Stainless steel: 710 N (160 lbf)

Steel, zinc plated: 1200 N (270 lbf)

### Installation Notes

Ø 2.5 (No. 3) screws (not supplied)

Material	Latch Part Number	
	Standard	Secondary Catch
Steel	91-351-07	91-361-07
Stainless Steel	91-351-52	91-361-52

### Part Number

See table

Order latch and keeper separately

S	Keeper Type	Steel	Stainless Steel
		39 - 47 (1.53 - 1.85)	Concealed
52 - 60 (2.04 - 2.36)	Exposed	91-630-07	91-630-52





# 91 Draw Latch

Under-center · Medium · Adjustable

- Adjustable grip
- Kick out feature disengages from keeper
- Secondary catch option to prevent accidental opening

## Material and Finish

Stainless steel or steel, zinc plated

## Performance Details

Max. working load:

With 91-600 keeper:

1325 N (300 lbf)

With K4-2338 keeper:

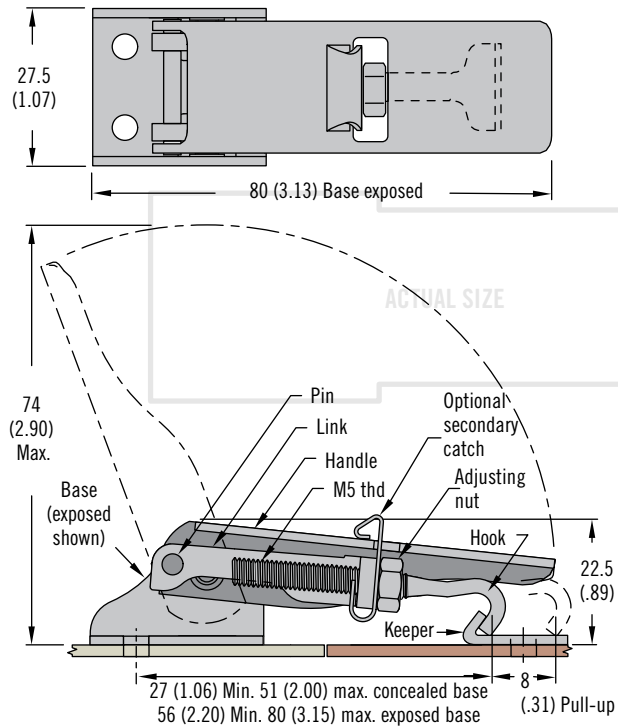
1550 N (350 lbf)

## Installation Notes

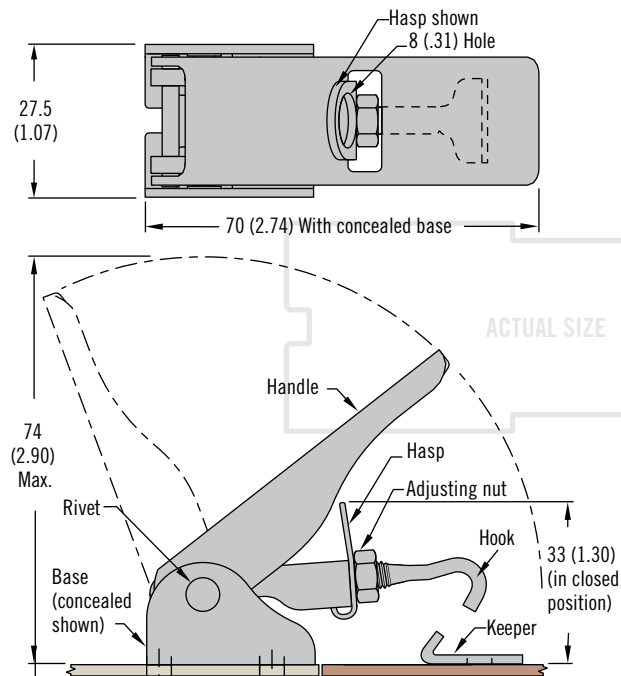
M4 (No. 8) screws (not supplied)

## Latch

Exposed Base (Secondary catch option shown)

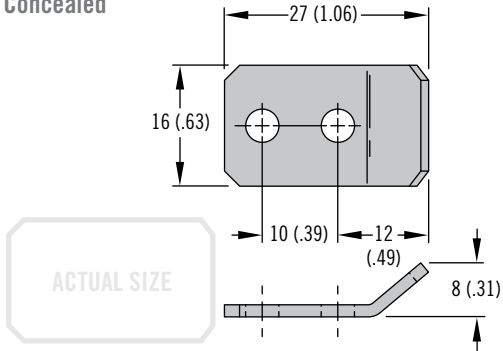


Concealed Base (Hasp option shown)

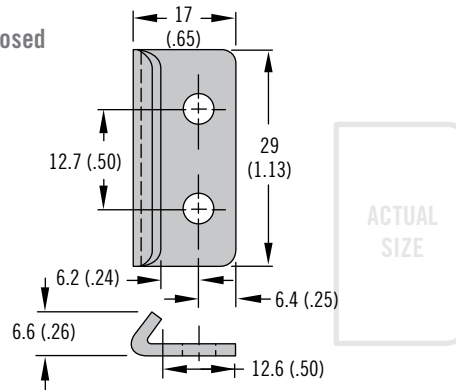


**Keepers**

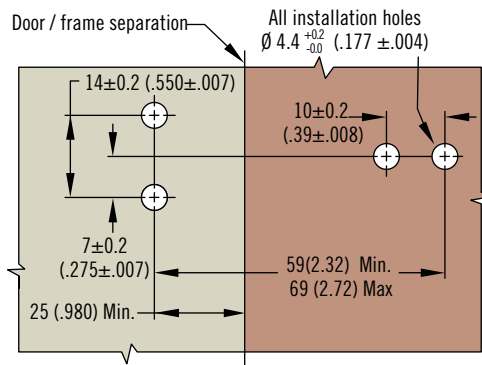
**Concealed**



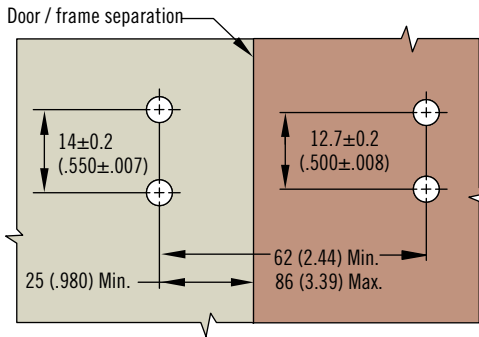
**Exposed**



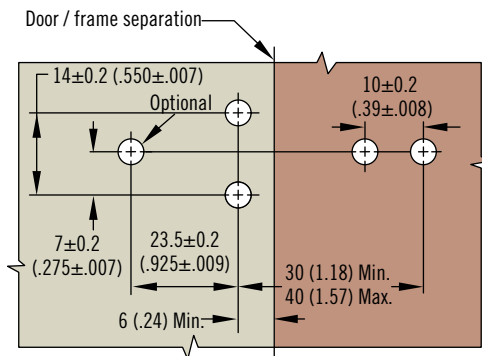
**Exposed Base and Concealed Keeper**



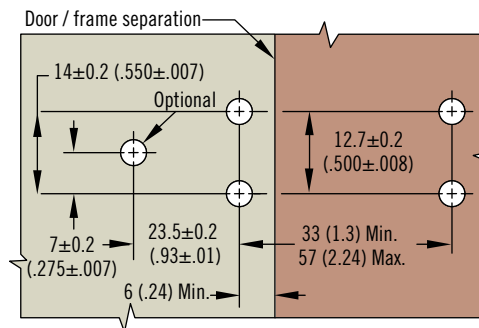
**Exposed Base and Exposed Keeper**



**Concealed Base and Concealed Keeper**



**Concealed Base and Exposed Keeper**



**B Base type**

- 1 Concealed
- 2 Concealed with secondary catch
- 3 Concealed with padlock hasp
- 5 Exposed
- 6 Exposed with secondary catch
- 7 Exposed with padlock hasp

**F Finish**

- 07 Steel, zinc plated
- 52 Stainless steel

91 - 5 **B** 2 - **F**

**Part Number Selection**

Order latch and keeper separately  
 For latch part number see builder  
 For keeper part number see table

Finish	Keeper Part Number	
	Concealed	Exposed
Steel	91-600-07	K4-2338-07
Stainless Steel	91-600-52	K4-2338-52
Stainless Steel, Black	91-600-63	K4-2338-63



# 91 Draw Latch

Under-center · Large · Adjustable

• **Adjustable grip**

**Material and Finish**

Stainless steel or steel, zinc plated

**Performance Details**

Max. working load: 2670 N (600 lbf)

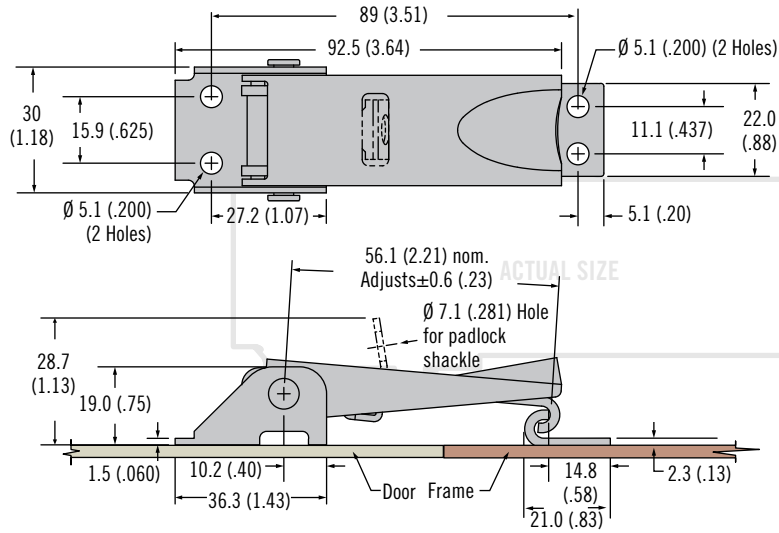
**Installation Notes**

M5 (No. 10) screws (not supplied)

**Part Number**

See table

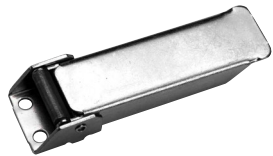
Assembly complete with keeper



Other options available. For complete details on variety, part numbers, installation and specification, go to

[www.southco.com/91](http://www.southco.com/91)

Type	Part Number	
	Steel	Stainless Steel
Standard Latch	91-752-07	91-752-52
Latch with Padlock Hasp	91-772-07	91-772-52



# 91 Draw Latch

Under-center · Heavy-duty · Adjustable

• **Adjustable grip**

**Material and Finish**

Stainless steel or steel, zinc plated

**Performance Details**

Max. working load:

Steel: 2670 N (600 lbf)

Stainless steel: 2000 N (450 lbf)

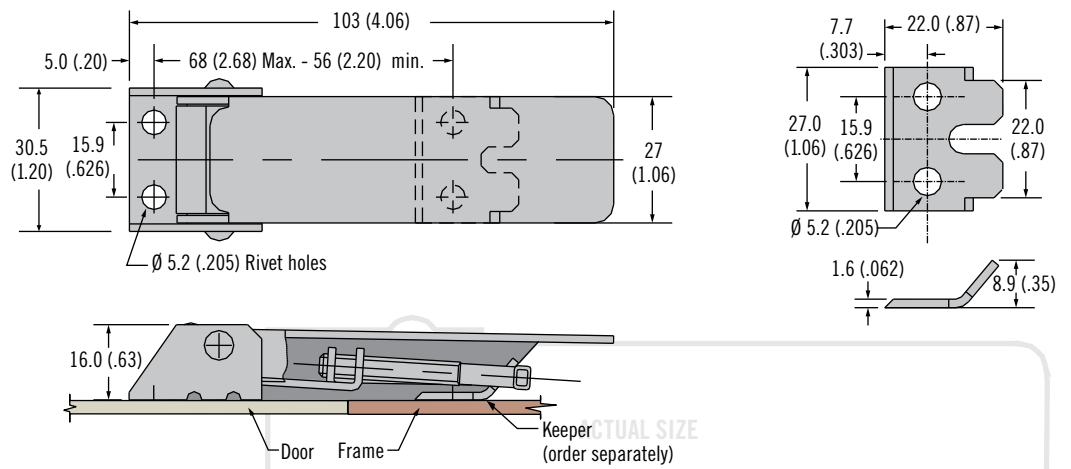
**Installation Notes**

M5 (No. 10) screws (not supplied)

**Part Number**

See table

Order latch and keeper separately



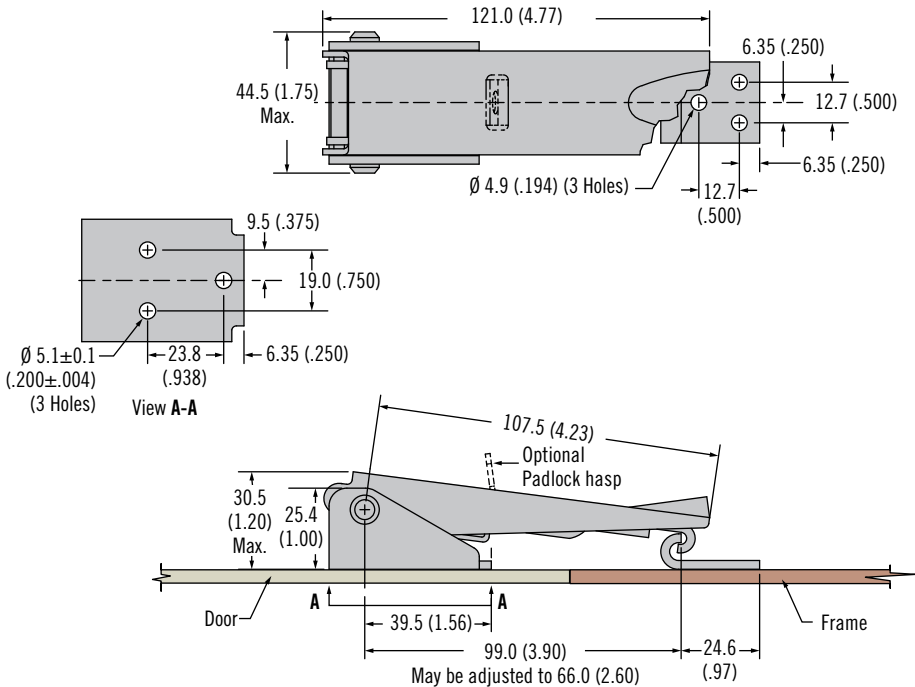
Type	Part Number	
	Steel	Stainless Steel
Latch	91-751-07	91-751-52
Keeper	91-674-07	91-674-52

Other options available. For complete details on variety, part numbers, installation and specification, go to

[www.southco.com/91](http://www.southco.com/91)

# 91 Draw Latch

Under-center · Heavy-duty · Adjustable



• Adjustable grip

**Material and Finish**

Stainless steel

**Performance Details**

Max. working load: 3560 N (800 lbf)

**Installation Notes**

Install assembly with M4 (No. 10) screws (not supplied)



Type	Part Number
Standard Latch	91-812-52
Latch with Padlock Hasp	91-832-52

**Part Number**

See table

Assembly complete with keeper