



92 Cam Latch

T and L-Handle · Adjustable grip

- Round hole install
- Detents in open and closed position

Material and Finish

Zinc alloy and steel, zinc plated

Performance Details

Max. static load:

Short cam 400 N (90 lbf)

Long cam 200 N (45 lbf)

Installation Notes

Screw and lockwasher assembly M4 x 10 (supplied).

For door thickness range > 3.0 (.12) calculate screw length using the following formula:

Door thickness range + 7.00 (.28)

Keys

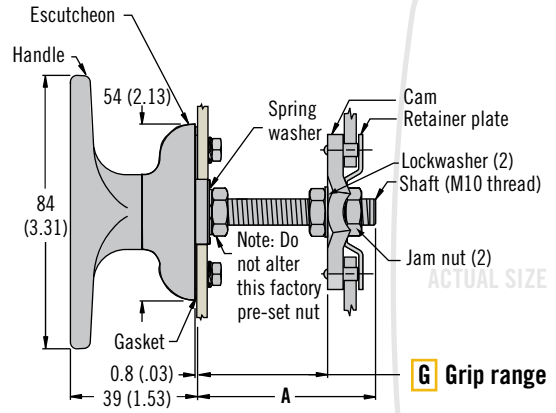
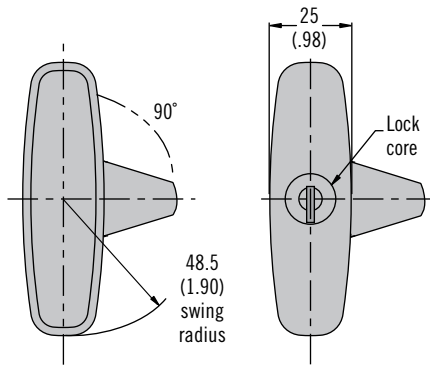
See page 98

Notes

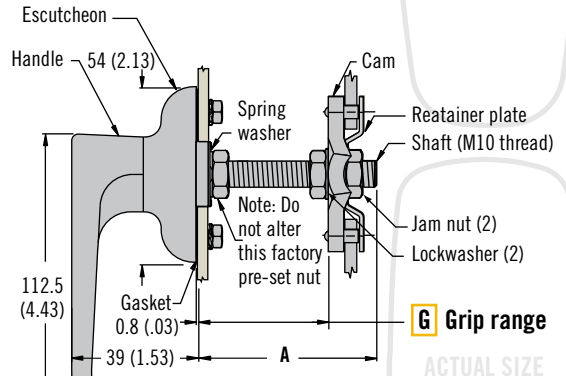
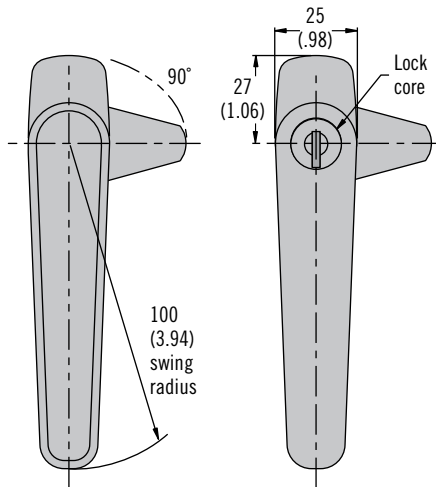
For fixed grip versions see pages 92 - 93

For version with 8 (.32) square shaft see page 111

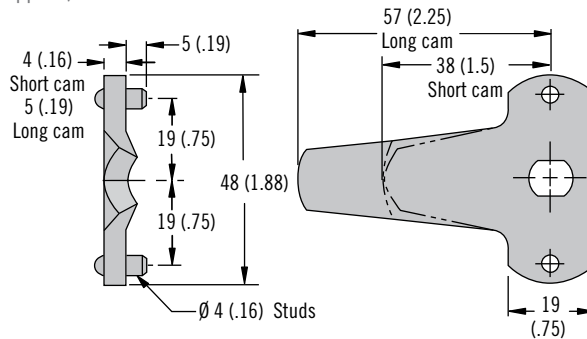
T-Handle



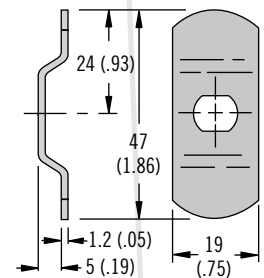
L-Handle

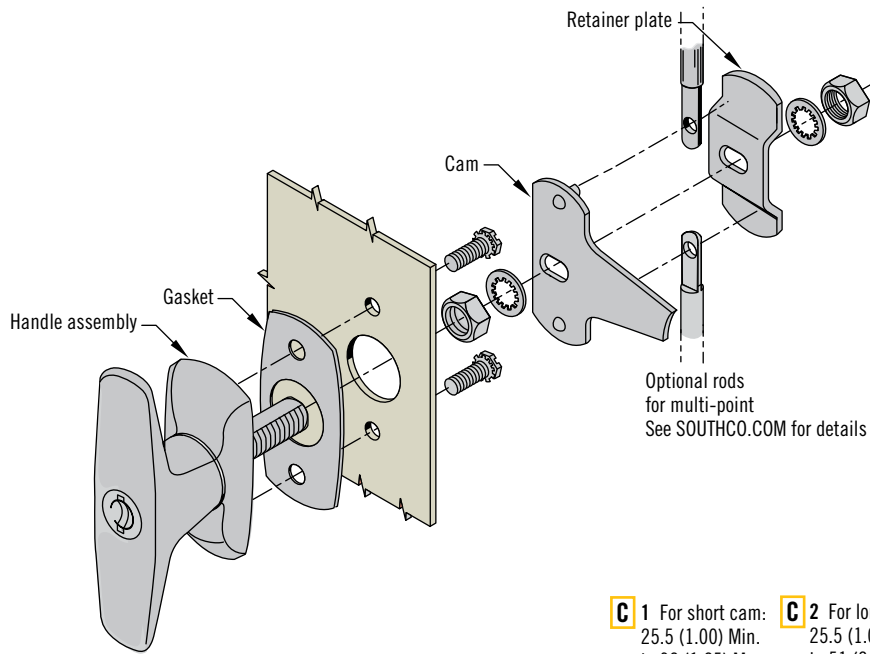


Cam (supplied)

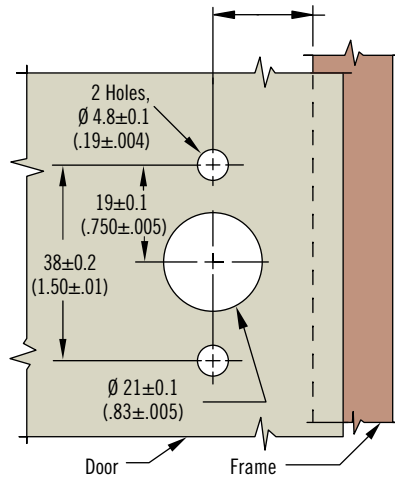
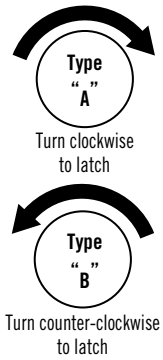


Retainer Plate (supplied)





C 1 For short cam: 25.5 (1.00) Min. to 32 (1.25) Max.
C 2 For long cam: 25.5 (1.00) Min. to 51 (2.00) Max.



Part Number Selection

R Rotation
 1 Type A clockwise to latch
 2 Type B counter-clockwise to latch

F Finish
 1 Bright chrome
 5 Black powder coated

C Cam
 1 Short 38 (1.5)
 2 Long 57 (2.25)

92 - L R - F G C

- L** Lock style
 1 T-handle non-locking
 2 T-handle key-locking CH751 (two keys supplied)
 3 L-handle non-locking
 4 L-handle key-locking CH751 (two keys supplied)

G Grip	Min.	Max.	A
1		19 (.75)	32 (1.25)
2	16 (.63)	32 (1.25)	44.5 (1.75)
3		44.5 (1.75)	57.5 (2.25)



68 Cam Latch

Small · T-Handle · Adjustable grip

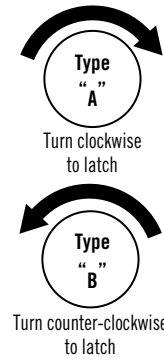
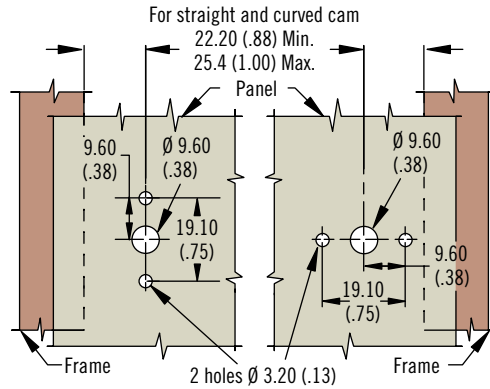
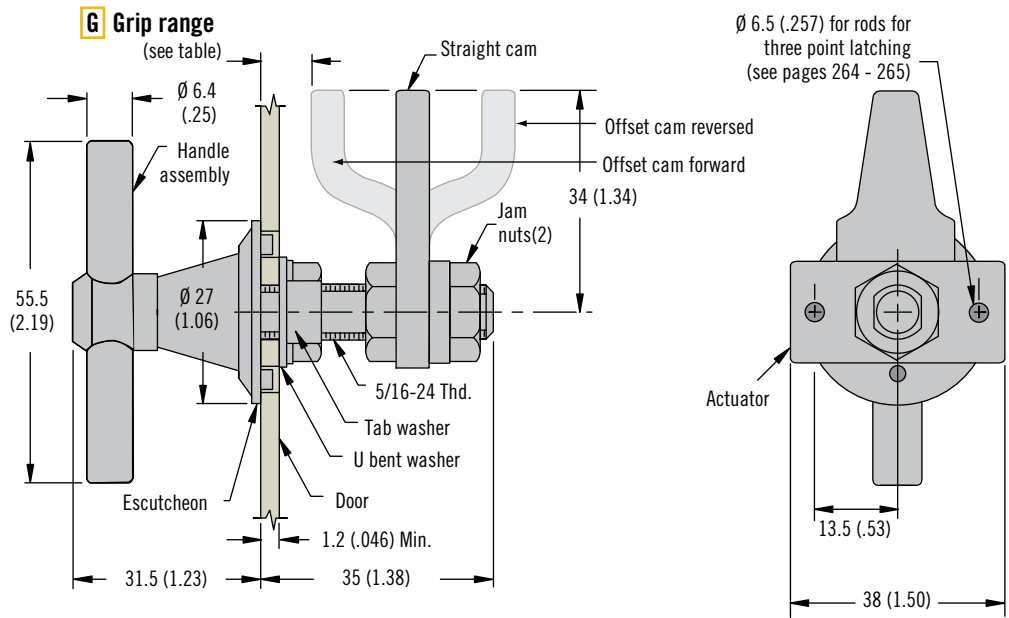
• Robust design

Material and Finish

Zinc alloy and steel, zinc plated

Performance Details

Max. static load: 1100 N (250 lbf)



Part Number Selection

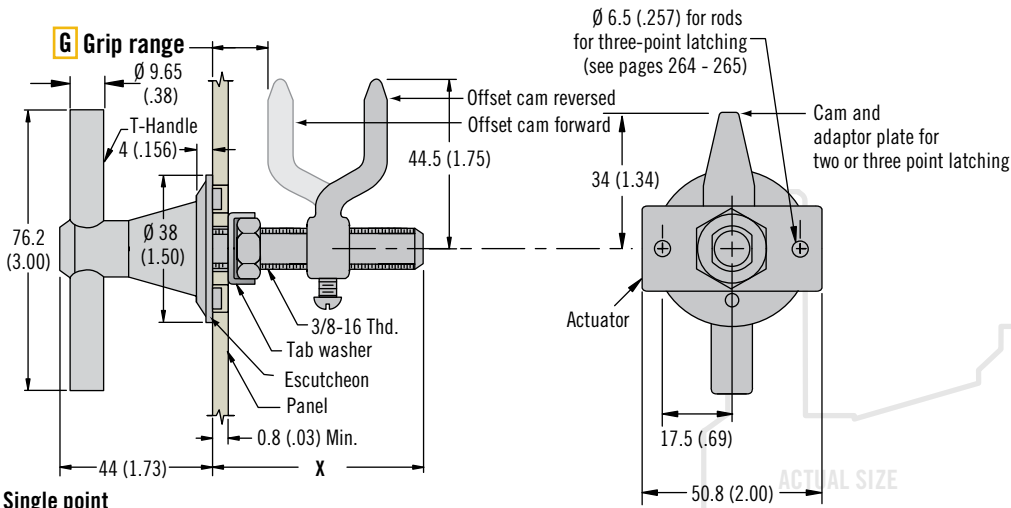
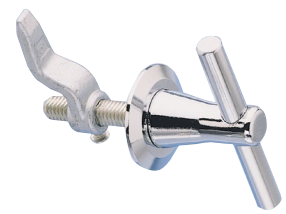
Grip	Min.	Max.	Cam Type
1	0 (0)	12.7 (.50)	Offset cam forward position
	25.4 (1.00)	38 (1.50)	Offset cam reversed position
2	12.7 (.50)	25.4 (1.00)	Straight cam

68 - 50 - 30 **G** - **F**

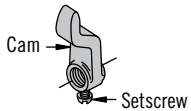
F Finish
 10 Chemical protective film
 20 Chrome plated

68 Cam Latch

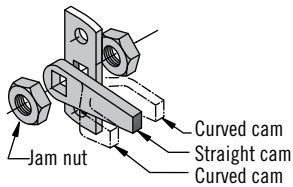
Medium · T-Handle · Adjustable grip



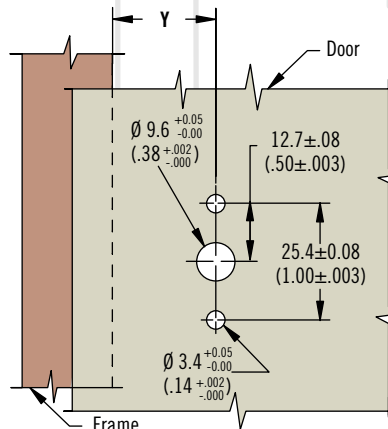
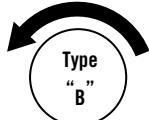
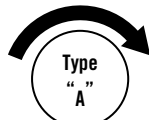
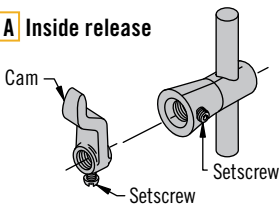
A Single point



A Three point



A Inside release



- Robust design
- Optional internal actuation

Material and Finish

Zinc alloy and steel, zinc plated

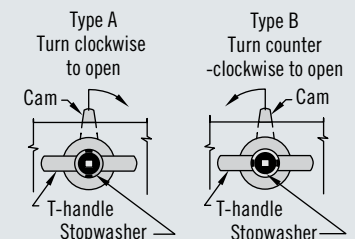
Performance Details

Max. static load: 1100 N (250 lbf)

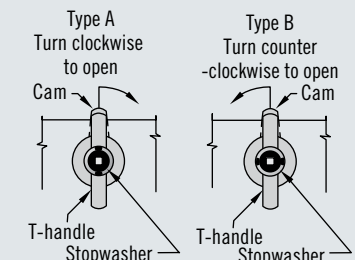
Installation Notes

T-handle orientation and operation:

1. Handle parallel to the edge of door



2. Handle perpendicular to edge of door



Part Number Selection

A Assembly

- 1 Single point
- 3 Three point
- 4 Inside release

68 - 10 - A 0 G - F

F Finish

- 10 Zinc plate bright chromate
- 20 Chrome plated

Assembly	Grip	Grip Range		X	Y	Cam Type
		Min.	Max.			
Single point	1	3.2 (.13)	25.4 (1.00)	46.4 (1.83)	31.8±3.2 (1.25±.13)	Offset cam forward position
		25.4 (1.00)	50.8 (2.00)			Offset cam reversed position
Three point	1	1.6 (.06)	19.8 (.78)		28.6±1.6 (1.13±.06)	Offset cam forward position
		14.3 (.56)	32.5 (1.28)			Offset cam reversed position
	2	27 (1.06)	45.2 (1.78)		Straight cam	
Inside release	1	3.2 (.13)	25.4 (1.00)	65 (2.56)	31.8±3.2 (1.25±.13)	Offset cam forward position
		25.4 (1.00)	50.8 (2.00)			Offset cam reversed position



68 Cam Latch

Medium · Folding bail handle · Adjustable grip

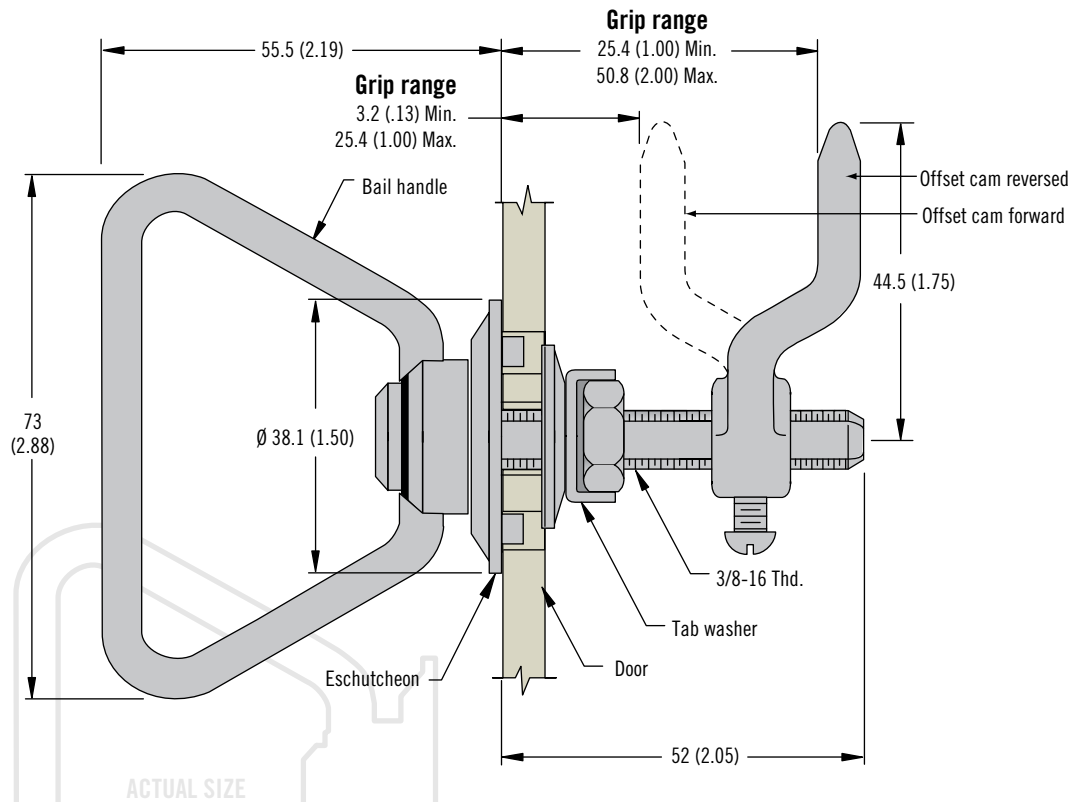
- Robust design
- 90° rotation

Material and Finish

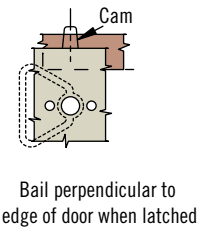
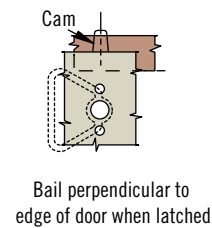
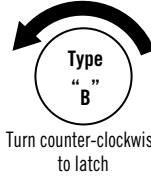
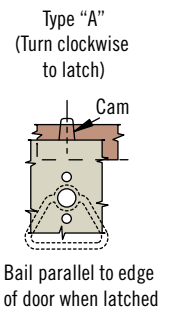
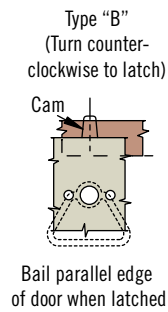
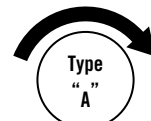
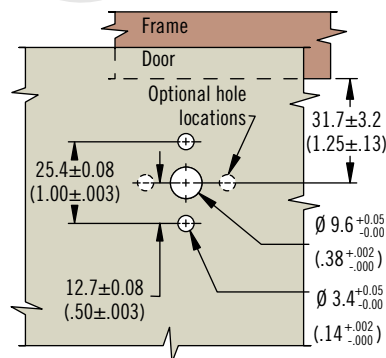
Zinc alloy and steel, zinc plated

Performance Details

Max. static load 890 N (200 lbf)



Bail Handle Orientation and Operation (Shown in latched position)



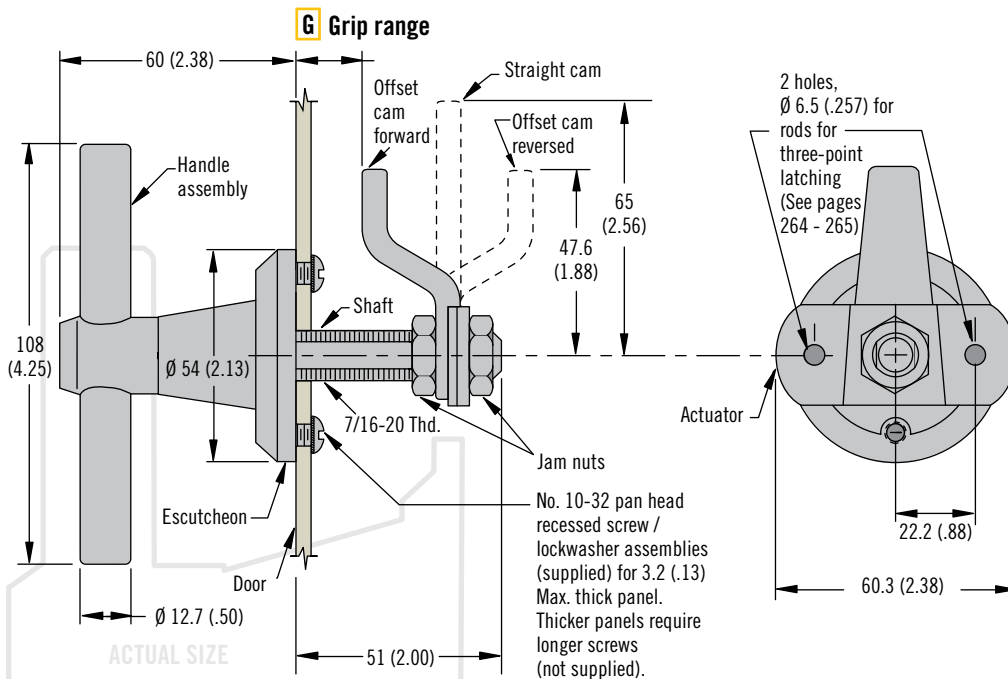
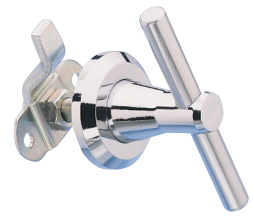
Part Number Selection

68 - 20 - 101 - **F**

F Finish
 10 Zinc plate bright chromate
 20 Chrome plated

68 Cam Latch

Large · T-Handle · Adjustable grip



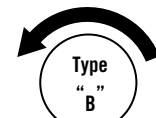
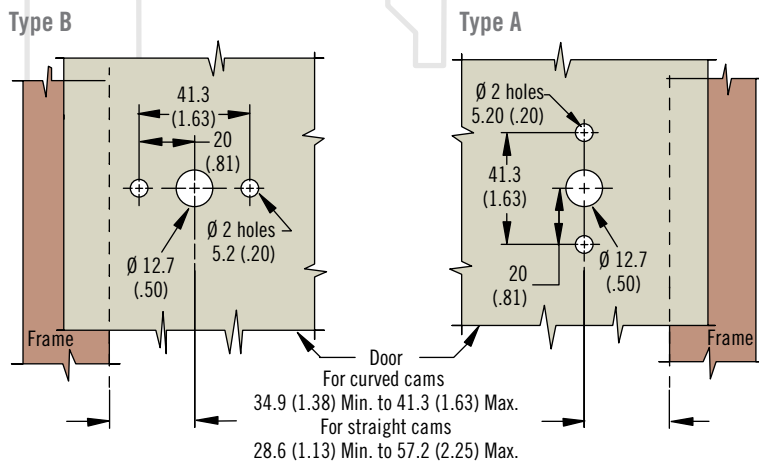
- Robust construction
- 90° movement

Material and Finish

Zinc alloy and steel, zinc plated

Performance Details

Max. static load 1300 N (1300 lbf)



Part Number Selection

68 - 70 - 30 **G** - **F**

Grip	Min.	Max.	Cam Type
1	0 (0)	19 (.75)	Offset cam forward position
	6.4 (.25)	38 (1.50)	Offset cam reversed position
2	25.4 (1.00)	57 (2.25)	Straight cam

- F Finish**
- 10 Chemical protective film
 - 20 Chrome plated



01 Cam Latch

Small · Flush handle · Cup style · Adjustable grip

• **Low profile design**

Material and Finish

ABS, zinc and steel, zinc plated

Performance Details

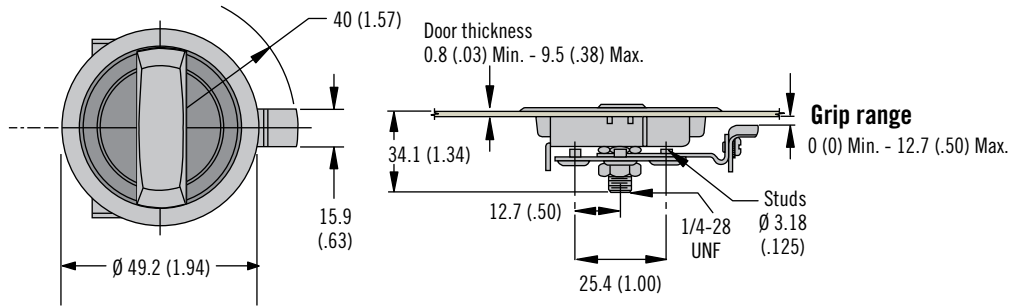
Max. static load: 160 N (35 lbf)

Flammability rating: UL94-HB

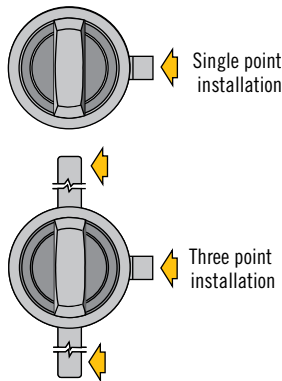
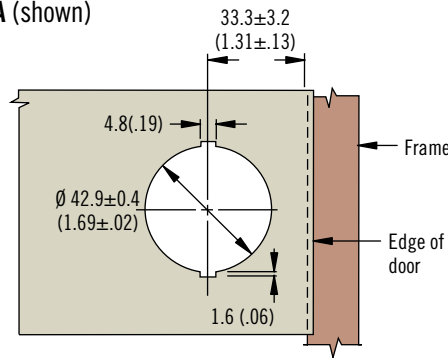
Notes

For multi-point latching options see pages 244 - 245

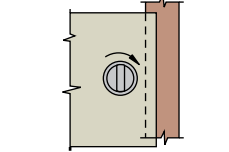
For fixed grip version see pages 90 - 91



Type A (shown)

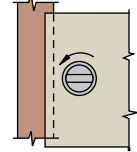


Type A Assemblies (Turn handle clockwise to latch)



Handle shown **parallel** to edge of door when latched

Type B Assemblies (Turn handle counter-clockwise to latch)



Handle shown **perpendicular** to edge of door when latched

- Mounted on either type A or B doors.
- Choose horizontal or vertical closed position of handle

Part Number Selection

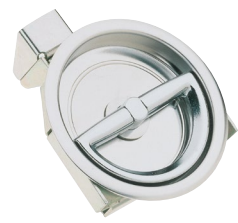


R Rotation

- 1 Type B counter-clockwise to latch for parallel installation
- 2 Type B counter-clockwise to latch for perpendicular installation
- 1 Type A clockwise to latch for perpendicular installation
- 2 Type A clockwise to latch for parallel installation

01 Cam Latch

Medium · Flush and bail handle · Cup style · Adjustable grip



• **Low profile design**

Material and Finish

ABS, zinc and steel, zinc plated

Performance Details

Max. static load: 220 N (50 lbf)

Flammability rating UL94-HB

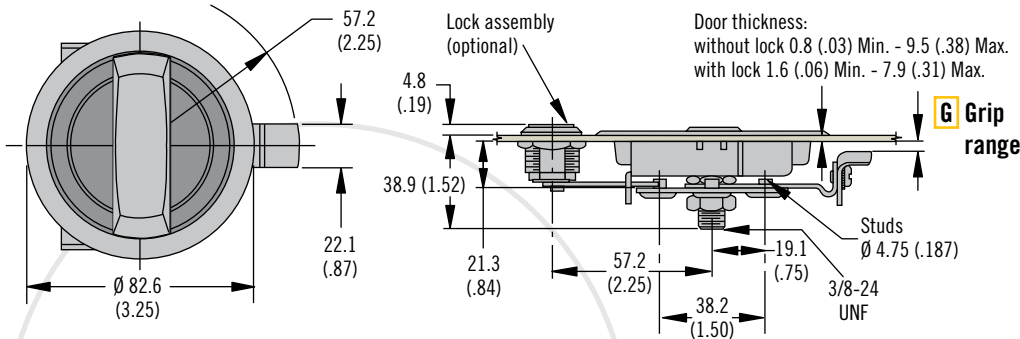
Keys

See page 98

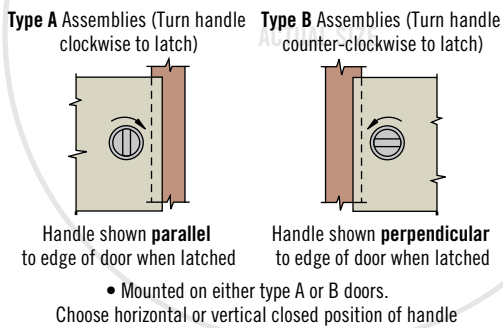
Notes

For multi-point latching options see pages 244 - 245

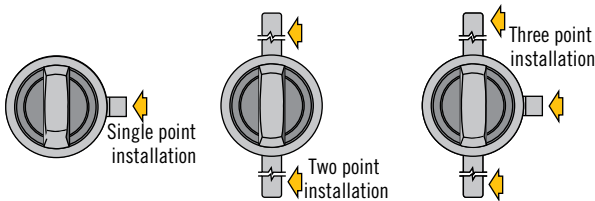
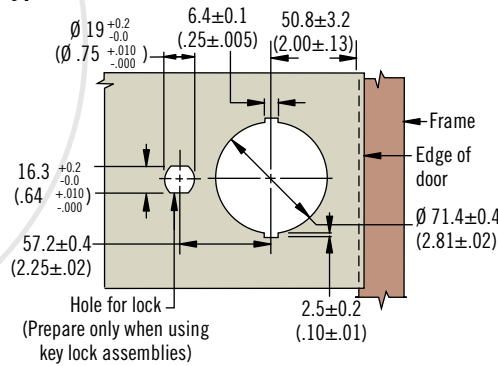
For fixed grip version see pages 90 - 91



G Grip range



Type A (shown)



Part Number Selection

- L Lock style**
- 1 Non-locking flat handle
 - 2 Non-locking folding bail handle
 - 3 Locking flat handle keyed alike CH751 (two keys supplied)
 - 4 Locking folding bail handle keyed alike CH751 (two keys supplied)

01 - L 3 - G F

- F Finish**
- 1 Bright chrome
 - 5 Black (flat handle only)

Grip	Grip Range	Type A	Type B	Cam Type
1	0 - 12.7 (0 - .50)	Perpendicular	Parallel	Single or three point latching
2	0 - 12.7 (0 - .50)	Parallel	Perpendicular	Single or three point latching
3	12.7 - 28.6 (.50 - 1.13)	Perpendicular	Parallel	Single or three point latching
4	12.7 - 28.6 (.50 - 1.13)	Parallel	Perpendicular	Single or three point latching
5	Two point only	Perpendicular	Parallel	Two point only
6	Two point only	Parallel	Perpendicular	Two point only



24 Cam Latch

Flush T-handle · Adjustable grip

- **Concealed mounting type**

Material and Finish

Zinc and steel, zinc plated or stainless steel

Performance Details

Max. static load: 445 N (100 lbf)

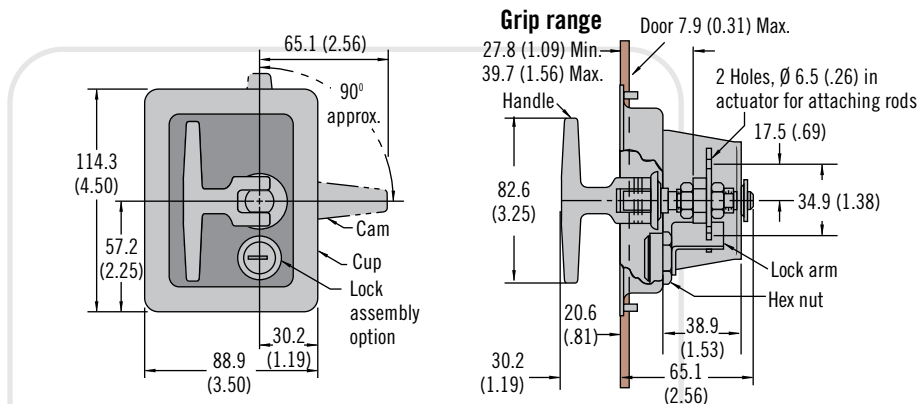
Installation Notes

Max. tightening torque of mounting nuts not to exceed 2.8 N·m (25 in·lbf)

Keys

See page 98

www.southco.com/24



Part Number		
Style	With Mounting Studs	
	Cup and bracket polished stainless steel. Handle zinc chrome plated	Cup and bracket steel dacrotized. Handle zinc dacrotized
	Type A	Type A
Locking keyed alike CH751 supplied	24-20-812-35	24-20-812-10
Non-locking	24-20-302-35	24-20-302-10
Non-locking environmentally sealed	24-20-312-35	24-20-312-10



69 Cam Latch

Arrowhead · Detent design · Adjustable grip

- **Single hole install**
- **Detented design**
- **Adjustable grip**

Material and Finish

Nylon and steel, zinc plated

Performance Details

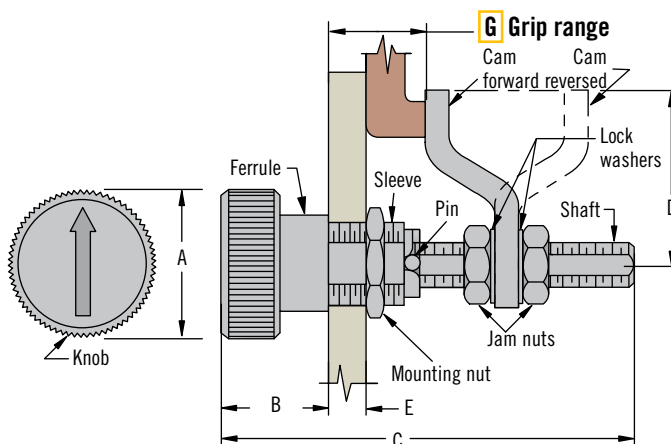
Small working load: 44 N (10 lbf)

Medium working load:

220 N (50 lbf)

Large working load 330 N: (75 lbf)

www.southco.com/69



Size	Part Number	Grip range		A	B	C	D	E
		Min.	Max.					
Small	69-10-301-11	4 (.16)	28.2 (1.11)	12.7 (.50)	12.7 (.50) Max.	38.1 (1.50)	13.5 (.53)	4.75 (.188)
Medium	69-10-401-11	3.2 (.13)	33.3 (1.31)	19.1 (.75)	17.5 (.69) Max.	47.5 (1.87)	15.9 (.63)	6.35 (.25)
Large	69-10-501-11	4.8 (.19)	61.9 (2.44)	28.6 (1.13)	25.4 (1) Max.	79.2 (3.12)	34.1 (1.34)	12.7 (.50)

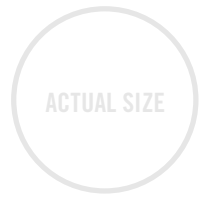
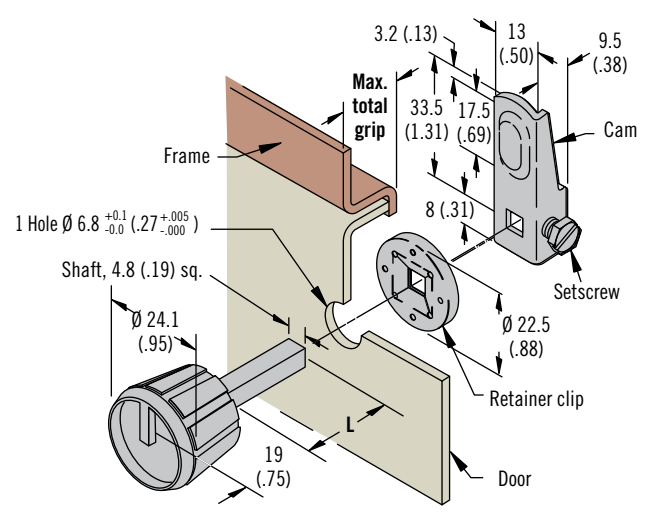




61 Cam Latch

Universal cabinet series · Adjustable grip

Knob Style



- Single hole installation
- Accommodates wide grip ranges

Material and Finish
Nylon and steel, zinc plated

Performance Details
Max. static load: 110 N (25 lbf)

Notes
Knob style shown. Additional L-handle and flush slotted styles available

Max. Total Grip	Shaft Length L	Assembly Part number
12.5 (.50)	25.5 (1.00)	61-10-102-11
25 (1.00)	38 (1.50)	61-10-104-11
44.5 (1.75)	57 (2.25)	61-10-107-11

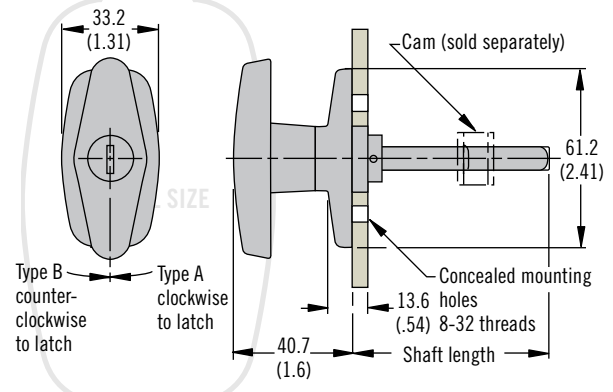
www.southco.com/61

92 Cam Latch

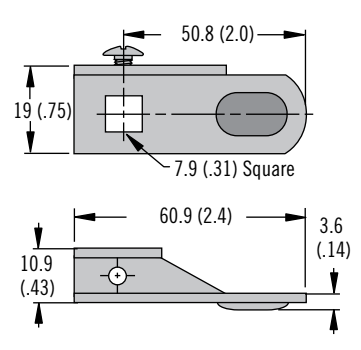
T, Compact-T and L-handle · Adjustable grip



Compact T-handle



Cam



- Easy cam adjustments

Material and Finish
Zinc alloy, powder coated or chrome plated and steel, zinc plated

Performance Details
Max. static load: 150 N (34 lbf)

Notes
Black and chrome finish available
For versions with threaded shaft see pages 102 - 103.
For fixed grip versions see pages 92 - 93.

Finish	Shaft Length	Locking Compact-T Part Number	
		Type A	Type B
Black	38.1 (1.5)	92-61-113-50	92-61-213-50
	50.8 (2.0)	92-61-114-50	92-61-214-50
	63.5 (2.5)	92-61-115-50	92-61-215-50

Cam Part Number
92-24-203-12

Compact T-handle style shown. T and L-handle style available. Locking and non-locking.



Request Info
⚙️ 🛒 🕒

1-800-453-1692
www.aboveboardelectronics.com

www.southco.com/92