



24 Cam Latch

Flush T-handle · Adjustable grip

- Concealed mounting type

Material and Finish

Zinc and steel, zinc plated or stainless steel

Performance Details

Max. static load: 445 N (100 lbf)

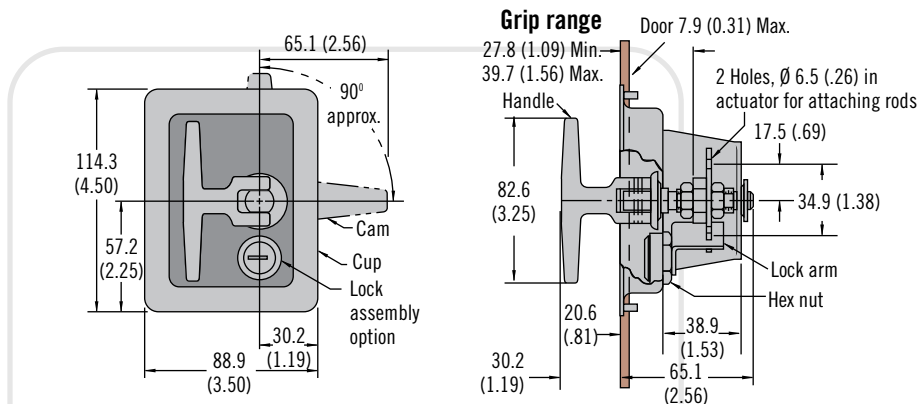
Installation Notes

Max. tightening torque of mounting nuts not to exceed 2.8 N·m (25 in·lbf)

Keys

See page 98

www.southco.com/24



| Part Number | | |
|------------------------------------|--|---|
| Style | With Mounting Studs | |
| | Cup and bracket polished stainless steel. Handle zinc chrome plated | Cup and bracket steel dacrotized. Handle zinc dacrotized |
| | Type A | Type A |
| Locking keyed alike CH751 supplied | 24-20-812-35 | 24-20-812-10 |
| Non-locking | 24-20-302-35 | 24-20-302-10 |
| Non-locking environmentally sealed | 24-20-312-35 | 24-20-312-10 |



69 Cam Latch

Arrowhead · Detent design · Adjustable grip

- Single hole install
- Detented design
- Adjustable grip

Material and Finish

Nylon and steel, zinc plated

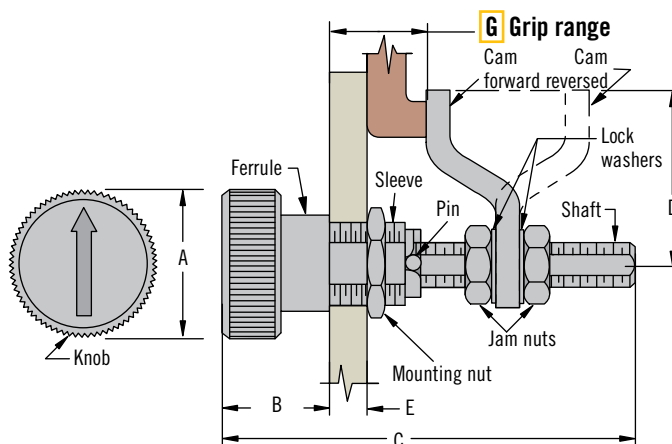
Performance Details

Small working load: 44 N (10 lbf)

Medium working load:

220 N (50 lbf)

Large working load 330 N: (75 lbf)



| Size | Part Number | Grip range | | A | B | C | D | E |
|--------|--------------|------------|-------------|-------------|-----------------|-------------|-------------|-------------|
| | | Min. | Max. | | | | | |
| Small | 69-10-301-11 | 4 (.16) | 28.2 (1.11) | 12.7 (.50) | 12.7 (.50) Max. | 38.1 (1.50) | 13.5 (.53) | 4.75 (.188) |
| Medium | 69-10-401-11 | 3.2 (.13) | 33.3 (1.31) | 19.1 (.75) | 17.5 (.69) Max. | 47.5 (1.87) | 15.9 (.63) | 6.35 (.25) |
| Large | 69-10-501-11 | 4.8 (.19) | 61.9 (2.44) | 28.6 (1.13) | 25.4 (1) Max. | 79.2 (3.12) | 34.1 (1.34) | 12.7 (.50) |

www.southco.com/69



Request Info



1-800-453-1692
www.aboveboardelectronics.com